

## Installation and Operation Manual / Guide d'installation et d'utilisation / Manual de instalación y funcionamiento



**⚠ WARNING**

**⚠ AVERTISSEMENT :**

**⚠ ADVERTENCIA**

This equipment must be installed and serviced by a qualified technician. Improper installation can create electrical hazards which could result in property damage, serious injury or death. Improper installation will void the warranty.

L'installation et l'entretien de cet équipement doivent être confiés à un technicien qualifié. Une mauvaise installation peut présenter des risques électriques pouvant entraîner des préjudices matériels, des blessures graves ou la mort. Une mauvaise installation rendra la garantie nulle et non avenue.

El equipo lo debe instalar y mantener un técnico formado. Una instalación incorrecta puede originar riesgos de tipo eléctrico que pueden causar daños materiales, lesiones graves o la muerte. Una instalación incorrecta invalidará la garantía.



**Notice to Installer / Consignes destinées à l'installateur / Nota para el instalador**

This manual contains important information about the installation, operation and safe use of this product. Once the product has been installed **this manual must be given to the owner/ operator of this equipment.**

Le présent manuel contient des informations importantes relatives à l'installation, au fonctionnement et à l'utilisation sûre de ce produit. Une fois le produit installé, **ce manuel doit être remis au propriétaire/à l'opérateur de l'équipement.**

Este manual contiene información importante sobre la instalación, el funcionamiento y el uso seguro de este producto. Una vez se haya instalado el producto, **este manual debe entregarse al propietario/operador del equipo.**

# Table of Contents

<b>SAFETY INFORMATION .....</b>	<b>01</b>
<b>MULTICYCLONE .....</b>	<b>02</b>
<b>MULTICYCLONE TOTAL HEAD LOSS CURVE .....</b>	<b>04</b>
<b>INSTALLATION .....</b>	<b>04</b>
<b>START UP PROCEDURES .....</b>	<b>08</b>
<b>MULTICYCLONE FILTER MAINTENANCE .....</b>	<b>09</b>
<b>INSUFFICIENT WATER PRESSURE .....</b>	<b>10</b>
<b>GENERAL MAINTENANCE GUIDE .....</b>	<b>11</b>
<b>WINTERIZING .....</b>	<b>12</b>
<b>TROUBLESHOOTING GUIDE .....</b>	<b>13</b>
<b>WARRANTY .....</b>	<b>13</b>

## SAFETY INFORMATION

1. The Waterco MultiCyclone filters are designed to work with water at a temperature > than 0°C and < than 40°C. The filter should never be operated outside of these temperatures or damage may occur.
2. The installation should be carried out in accordance to local safety standards and bylaws.
3. Any modification of the filter requires the prior consent from Waterco. Original replacement parts and accessories authorized by the manufacturer ensure a high level of safety. Waterco assumes no liability for the damage and injuries caused by unauthorized replacement parts and accessories.
4. The user should make sure that the installation is carried out by qualified authorized persons and that these persons have first carefully read the following instructions.
5. The operating safety of the filter is only guaranteed if the installation and operation instructions are correctly followed.
6. In the event of defective operation or fault, contact Waterco or its nearest authorized service agent.
7. To reduce the risk of injury, do not permit children to use this product.
8. Incorrectly installed equipment may fail, causing severe injury or property damage.
9. Chemical spills and fumes can weaken Swimming Pool / Spa equipment. Corrosion can cause filters and other equipment to fail, resulting in severe injury or property damage. Do not store pool chemicals near your equipment.

Basic safety precautions should always be followed, including the following: Failure to follow instructions can cause severe injury and/or death.

This is the safety-alert symbol. When you see this symbol on your equipment or in this manual, look for one of the following signal words and be alert to the potential for personal injury.



**⚠ WARNING** warns about hazards that **could** cause serious personal injury, death or major property damage and if ignored presents a potential hazard.

**⚠ CAUTION** warns about hazards that **will** or **can** cause minor or moderate personal injury and/or property damage and if ignored presents a potential hazard. It can also make consumers aware of actions that are unpredictable and unsafe.

**⚠**

The **NOTICE** label indicates special instructions that are important but not related to hazards.

**⚠ WARNING - Read and follow all instructions in this owner's manual and on the equipment. Failure to follow instructions can severe injury and/or death.**

**⚠ Warning - Suction Entrepment Hazard.**

Suction in suction outlets and/or suction outlet covers which are, damaged, broken, cracked, missing, or unsecured can cause severe injury and/or death due to the following entrapment hazards:



**Hair Entrapment** - Hair can become entangled in suction outlet cover.



**Limb Entrapment** - A limb inserted into an opening of a suction outlet sump or suction outlet cover that is damaged, broken, cracked, missing, or not securely attached can result in a mechanical bind or swelling of the limb.

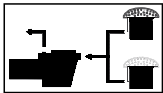


**Body Suction Entrapment** - A negative pressure applied to a large portion of the body or limbs can result in and entrapment.



**Mechanical Entrapment** - There is potential for jewelry, swimsuit, hair decoration, finger, toe or knuckle to be caught in an opening of a suction outlet cover resulting in mechanical entrapment.

**⚠ WARNING - To reduce the risk of Entrapment Hazards:**



- When outlets are small enough to be blocked by a person, a minimum of two functioning suction outlets per pump must ne installed. Suction outlets in the same plane (i.e. floor or wall), must be installed a minimum of three feet (3') (1 meter) apart, as measured from near point to near point.
- Dual suction fittings shall be placed in such locations and distances to avoid "dual blockage" by a user.
- Dual suction fittings shall not be located on seating areas or on the backrest for such seating areas.
- The maximum system flow rate shall not exceed the flow rating of as listed on Page 7.
- Never use Pool or Spa if any suction outlet component is damaged, broken, cracked, missing, or not securely attached.
- Replace damaged, broken, cracked, missing, or not securely attached suction outlet componets immediately.
- In addition two or more suction outlets per pump installed in accordance with latest ASME, APSP Standards and CPSC guidelines, follow all National, State, and Local codes applicable.
- Installation of a vacuum release or vent system, which relieves entrapping suction, is recommended.

**⚠ WARNING - Failure to remove pressure test plugs and /or plugs used in winterization of pool/spa from the suction outlets can result in an increase potential for suction entrapment as describe above.**

- ⚠ WARNING - Failure to keep suction outlet components clear of debris, such as leaves, dirt, hair, paper and other material can result in an increase potential for such suction entrapment as describe above.**
- ⚠ WARNING - Suction outlet components have a finite life, the cover/grate should be inspected frequently and replaced at least every SEVEN years or if found to be damaged, broken, cracked, missing, or not securely attached.**
- ⚠ CAUTION - Components such as the filtration system, pumps and heater must be positioned so as to prevent their being used as means of access to the pool by young children.** To reduce risk of injury, do not permit children to use or climb on this product. Closely supervise children at all times. Components such as the filtration system, pumps, and heaters must be positioned to prevent children from using them as a means of access to the pool.



- ⚠ WARNING - Hazardous Pressure.** Pool and spa water circulation systems operate under hazardous pressure during start up, normal operation, and after pump shut off. Stand clear of circulation system equipment during pump start up. Failure to follow safety and operation instructions could result in violent seperation of the pump housing and cover, and/or filter housing and clamp due to pressure in the system, which could cause property damage, severe personal injury, or death. Before servicing pool and spa water circulation system, all system and pump controls must be in off position and filter manual air relief valve must be in open position. Before starting system pump, all system valves must be set in a position to allow system water to return back to the pool. Do not change filter control valve position while system pump is running. Before starting system pump, fully open filter manual air relief valve. Do not close filter manual air relief valve until a steady stream of water (not air or air and water) is discharged.
- ⚠ WARNING - Seperation Hazardous.** Failure to follow safety and operation instructions could result in violent seperation of pump and/or filter components. Strainer cover must be properly secured to pump housing with strainer cover lock ring. Before servicing pool and spa circulation system, filters manual air relief valve must be in open position. Do not operate pool and spa circulation system if a system component is not assembled properly, damaged, or missing. Do not operate pool and spa circulation system unless filter manual air relief valve body is in locked position in filter upper body. **Never operate or test the circulation system at more than 50 PSI. Do not purge the system with compressed air.** Purging the system with compressed air can cause components to explode, with risk of severe injury or death to anyone nearby. Use only a low pressure (below 5 PSI), high volumn blower when air purging the pump, filter, or piping.



**⚠ WARNING - Risk of Electric Shock.** All electrical wiring **MUST** be in conformance with applicable local codes, regulations, and the National Electric Code (NEC). Hazardous voltage can shock, burn, and cause death or serious property damage. To reduce the risk of electric shock, do **NOT** use an extension cord to connect unit electric supply. Provide a properly located electrical receptacle. Before working on any electrical equipment, turn off power supply to the equipment. To reduce the risk of electric shock replace damaged wiring immediately. Locate conduit to prevent abuse from lawn mowers, hedge trimmers and other equipment. Do **NOT** ground to a gas supply line.

**⚠ WARNING - Risk of Electric Shock.** Failure to ground all electrical equipment can cause serious or fatal electrical shock hazard. Electrical ground all electrical equipment before connecting to electrical power supply.

**⚠ WARNING - Risk of Electric Shock.** Failure to bond all electrical equipment to pool structure will increase risk for electrocution and could result in injury or death. To reduce the risk of electric shock, see installation instructions and consult a professional electrician on how to bond all electrical equipment. Also, contact a licensed electrician for information on local electrical codes for bonding requirements.

**Notes to electrician:** Use a solid copper conductor, size 8 or larger. Run a continuous wire from external bonding lug to reinforcing rod or mesh. Connect a No. 8 AWG (8.4mm<sup>2</sup>) [No. 6 AWG (13.3mm<sup>2</sup>) for Canada] solid copper bonding wire to the pressure wire connector provide on the electrical equipment and to all metal parts of swimming pool, spa, or hot tub, and metal piping (except gas piping), and conduit within 5 ft (1.5m) of inside walls of swimming pool, spa or hot tub.

**IMPORTANT** - Reference NEC codes for all wiring standards including but not limited to, grounding, bonding and other general wiring procedures.



**⚠ WARNING - Risk of Electric Shock.** The electrical equipment must be connected only to supply circuit that is protected by a ground-fault circuit-interrupter (GFCI). Such a GFCI should be provided by the installer and should be tested on a routine basis. To test the GFCI, push the test button. The GFCI should interrupt power. Push reset button. Power should be restored. If the GFCI fails to operate in this manner, the GFCI is defective. If the GFCI interrupts power to the electrical equipment without the test button being pushed, a ground current is flowing, indicating the possibility of an electrical shock. Do not use this electrical equipment. Disconnect the electrical equipment and have the problem corrected by a qualified service representative before using.

**⚠ CAUTION** - Waterco pumps are intended for use with permanently-installed pools and may be used with hot tubs and spas if so marked. Do not use with storable pools. A permanently-installed pool is constructed in or on the ground or in a building such that it cannot be readily disassembled for storage. A storable pool is constructed so that it is capable of being readily disassembled for storage and reassembled to its original integrity.

**⚠ WARNING - Risk of Hyperthermia.** To avoid hyperthermia the following "Safety Rules for Hot Tubs" are recommended by the U.S. Consumer Product Safety Commission.

1. Spa or hot tub water temperatures should never exceed 104°F (38°C) is considered safe for a healthy adult. Special caution is suggested for young children. Prolonged immersion in hot water can induce hyperthermia.
2. Drinking of alcoholic beverages before or during spa or hot tub use can cause drowsiness, which could lead to unconsciousness and subsequently result in drowning.
3. Pregnant women beware! Soaking in water above 100°F (38°C) can cause fetal damage during the first three months of pregnancy (resulting in the birth of brain-damaged or deformed child). Pregnant women should adhere to the 100°F (38°C) maximum rule.
4. Before entering the spa or hot tub, users should check the water temperature with an accurate thermometer; spa or hot tub thermostats may err in regulating water temperatures by as much as 4°F (2.2°C).
5. Persons taking medications, which include drowsiness, such as tranquilizers, antihistamines or anti-coagulants, should not use spas or hot tubs.
6. If the pool/spa is used for therapy, it should be done with the advice of physician. Always stir pool/spa water before entering the pool/spa to mix in any hot surface layer of water that might exceed healthful temperature limits and cause injury. Do not tamper with controls, because scalding can result if safety controls are not in proper working order.
7. Persons with medical history of heart disease, circulatory problems, diabetes or blood pressure problems should obtain a physician's advice before using spas or hot tubs.
8. Hyperthermia occurs when the internal temperature of the body reaches a level several degrees above normal body temperature of 98.6°F (37°C). The symptoms of hyperthermia include: drowsiness, lethargy, dizziness, fainting, and an increase in the internal temperature of the body.

**The effects of Hyperthermia include:**

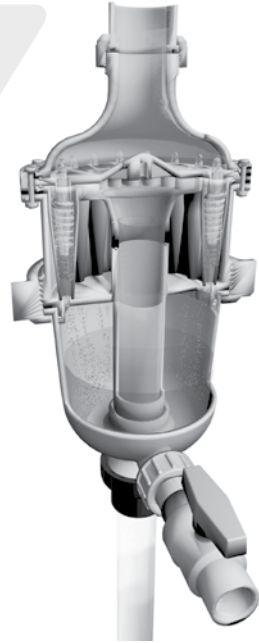
1. Unawareness of impending danger
2. Failure to perceive heat.
3. Failure to recognize the need to leave the spa.
4. Physical inability to exit the spa.
5. Fetal damage in pregnant women.
6. Unconsciousness resulting in danger of drowning

**SAVE THESE INSTRUCTIONS**

## MULTICYCLONE

MultiCyclone is a brilliant prefiltration device that can save water and Minimize pool filter maintenance. Based on the principals of centrifugal water filtration, MultiCyclone filters up to 80% of the pool's dirt load before it reaches the pool filter and only requires 4 gallons of water to clean.

- Minimizes filter maintenance and saves water.
- No filter media to clean or replace.
- Multiple hydrocyclones.
- Suitable for new and existing installations.



### Centrifugal Water Filtration

Incoming water tangentially enters its multiple hydrocyclones, generating a strong centrifugal effect. Approximately 80% of the incoming dirt load is spiralled down to its clear sediment chamber. The outgoing water is piped to the finally polished via the pools filtration system.

### Simple maintenance

The MultiCyclone sediment chamber is easily cleaned by opening its purge valve. Only 4 gallons of water is discharged.

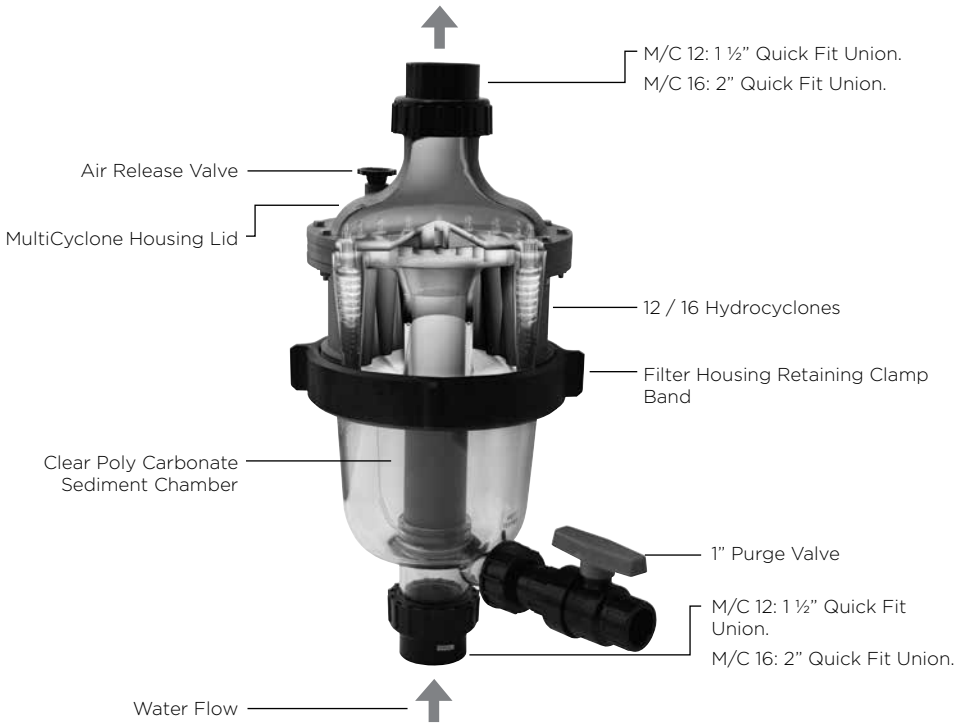
### Minimize Sand Filter Backwash Frequency

The installation of a MultiCyclone as a pre-filter to a sand filter can reduce its backwash frequency to once per year, resulting in a saving of up to 1850 gallons of water per year for an average domestic sized swimming pool.

### Minimize Filter Cartridge Cleaning and Replacement

The installation of a MultiCyclone as a pre-filter to a cartridge filter can reduce filter cartridge cleaning and replacement to once per swimming season and even up to once per year, depending on the size of the cartridge filter.



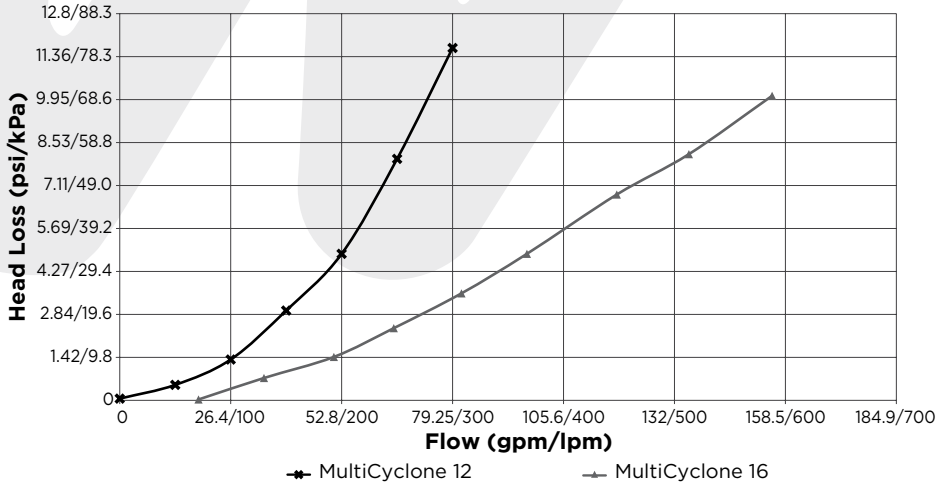


The accumulation of sediment can be visibly monitored through the MultiCyclone clear sediment chamber. The Multicyclone sediment chamber is cleaned by simply opening the purge valve. Only 4 gallons of water is discharged to clean the Multicyclone of sediment

**Note:** The MultiCyclone centrifugal section is designed to filter sediment that is heavier than water; floating debris cannot be filtered out by centrifugal filtration.

Model	Connection Ports	Minimum Flow	Maximum Flow	Max. Pressure
MultiCyclone 12	1 1/2" Quick Fit Union	11gpm	79gpm	50psi
MultiCyclone 16	2" Quick Fit Union	13gpm	132gpm	50psi

## MULTICYCLONE PLUS TOTAL HEAD LOSS CURVE



## INSTALLATION

Be sure to comply with the local plumbing codes.

Be sure that all provisions for wastewater disposal meet local, state or national codes. Do not discharge water where it will cause flooding or damage.

If the incoming water pressure is higher than the maximum operating pressure of 50psi, a Pressure Regulating Valve (PRV) must be installed upstream of the filter inlet.

The PRV should be set to 90% of the maximum operating pressure of the tank.

If the incoming water flow is less than the filter's minimum flow requirements, the filter's filtration efficiency will be affected, please consult Waterco.

## Typical Installation

1. Position the filter as close to the Swimming Pool / Spa as possible.
2. Position the filter so that it is free from flooding, away from sumps, guttering, garden hollows, etc.
3. Position the filter so that the piping connections purge valve and air release valve is convenient and accessible for operation, servicing and winterizing.
4. Ensure that the compliance label is facing the front to allow easy identification.
5. The filter should be placed on a level concrete slab, very firm ground, or equivalent. Ensure that the ground will not subside, preventing any strain from the attached plumbing.
6. Ensure that there is no movement of the filter during operation of the Purge valve.
7. Allow sufficient clearance around the filter to permit visual inspection of the entire system.

\*NOTE: DE FILTERS REQUIRE A BYPASS



Typical Installation with a Sand Filter



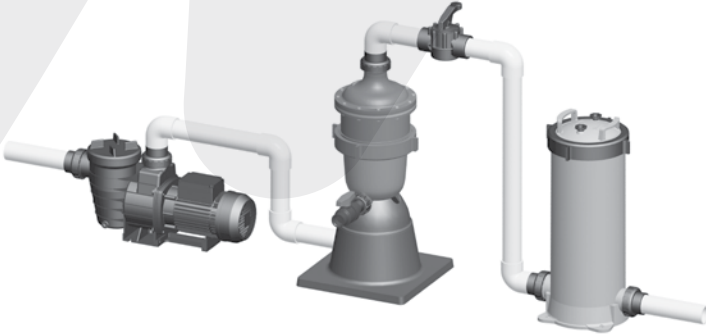
Typical Installation with a Cartridge Filter



Typical installation with a DE Filter

## Optional Mounting Stand

An optional mounting stand is also available for situations where the MultiCyclone cannot be installed directly above your pool pump.



Installation with optional Mounting Stand

## Plumbing

1. Check that the incoming water pressure is within the filter's recommended working pressure and ensure that a pressure limiting valve is installed if using mains water or a high pressure pump.
2. Ensure that a foot valve / non return valve are installed if the pump is installed 20" above the water level.
3. If the filter is installed below the water level or connected to mains water, isolation valves should be installed at the inlet and outlet of the filter. This will prevent water flow during any routine maintenance.
4. Minimize the length of pipe and the number of fittings to minimize restrictions to water flow.
5. Ensure that all plumbing connections are glued and tightened securely to prevent leaking.
6. Ensure solvents are not excessively applied to fittings as this could run into "o"-rings and create sealing problems.
7. Do not over tighten fittings or adapters.

Screw the supplied half barrel unions and tails onto the inlet and outlet before gluing the UPVC piping onto the filter.

### CAUTION

#### **Use only recommended glue for connection pipe and fittings**

Cut and fit the pipe and fittings onto the MultiCyclone and the pump. **Refer** to Pump Installation Manual for correct pump plumbing procedures.

It is **best practice** to fit all the cut pipe and fittings onto the filtration system **before** gluing; this will ensure that the system has **been aligned** correctly.

Glue the pipe and fittings onto the pump, filter and pool return lines and **allow** the glue to set **for 24 hours** before commissioning the system.

## **Plumbing Connection**

1. Ensure that a foot valve / non return valve is installed if the pump is installed 20" above the water level.
2. If the filter is installed below the water level or connected to mains water, isolation valves should be installed at the inlet and outlet of the filter. This will prevent water flow during any routine maintenance.
3. Minimize the length of pipe and the number of fittings to minimize restrictions to water flow.
4. Connect the pipe extending from the pump outlet to the inlet of the MultiCyclone.
5. Connect from the pipe extending from the outlet of the MultiCyclone to the next component in line with the filtration system.
6. Glue all plumbing to barrel union fittings in accordance with glue (solvent) manufactures specifications and allow 24 hours to set. Ensure glue (solvent) is not excessively applied to fittings as this could run onto "o"-rings and create sealing problems.

**Note:** Waterco recommends that a shut off valve be installed after the MultiCyclone on the pool return line to assist with flushing out the collected debris. Please refer to "Insufficient Water Pressure".

7. Connect to Waste Line. Glue the plumbing from the Sediment Purge Valve to a waste line, drain or suitable drainage area.
8. Turn on pool pump. Be sure to check that there are no leaks from the connectors. If required, tighten by hand.

## START UP PROCEEDURE

The MultiCyclone is an advanced and highly efficient filter system that will provide years of trouble free service if the following maintenance procedures are maintained.

To start up the filtration system either from new or after cleaning is exactly the same.

1. Ensure that the MultiCyclone is plumbed correctly.
2. Ensure that all valves installed before and after the MultiCyclone are open.
3. Loosen the air release valve on top of the MultiCyclone filter.
4. Prime the swimming pool pump. (Refer to the pump installation and operation manual).
5. Turn on the swimming pool pump and allow the pump to run until all the air has been expelled from the MultiCyclone. Water will run from the air release valve.
6. Re-tighten the air release valve.
7. The filter is primed and ready for operation.

Note: In some cases this may be required to be done a few times before the unit will remain primed and be fully operational.

### CAUTION

**Do not stand over the top of the MulitCyclone while adjusting the air release valve to purge the system of air.**

**Injury may occur if air release valve becomes loose.**

## MULTICYCLONE FILTER MAINTENANCE

The MultiCyclone Plus filter maintenance is determined by the following conditions:

1. The sediment chamber is half filled with sediment. This accumulation of sediment can be visibly monitored through the MultiCyclone clear sediment chamber. The MultiCyclone is cleaned by simply opening the purge valve. Only 4 gallons of water is discharged to clean the MultiCyclone of sediment.

### **Flush out the sediment chamber**

#### **With pump running:**

While the water pump is running simply open the sediment purge valve until the sediment has been flushed out. This is visible through the clear sediment chamber. Once the sediment has been flushed out, close the purge valve.

#### **Without pump running:**

Alternatively, switch the pump, off. Open the air release valve and then open the purge valve. The water will drop through the MultiCyclone flushing out most of the debris from the sediment chamber. Then close the air release valve and turn on the pump and the turbulence of the water entering the sediment chamber will flush out the rest of the sediment. Once the sediment chamber has been cleansed, close the purge valve, start the pump and close the air release valve once water is flowing out through the air release valve.

## INSUFFICIENT WATER PRESSURE

In situations where the water flow from the pump is not powerful enough to purge the sediment out of the sediment chamber, Waterco recommends fitting a 2 way valve after the MultiCyclone on the pool water return line.

The 2 way valve is used to throttle the flow of water out of the MultiCyclone, increasing water turbulence through the sediment chamber and improving its purging action.

While the pump is operating, open the purge valve, and then partially close the 2 way valve, throttling the water flow sufficiently to purge the sediment chamber of trapped sediment. Once the sediment chamber is clean, open the 2 way valve and then close the purge valve.



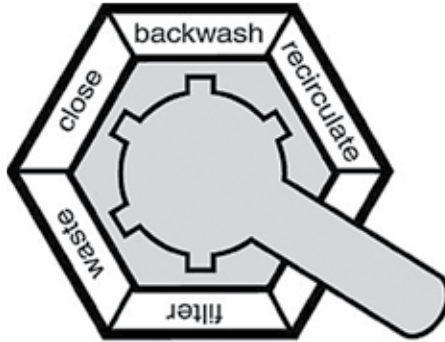
Installation with 2 way shut off valve Cartridge Filter

### **⚠ CAUTION**

**Do not close the 2 way valve prior to opening the purge valve and do not close the purge valve while the 2 way valve is closed or partially closed. Both valves should never be closed or partially closed at the same time.**

If the MultiCyclone is installed as a pre-filter to a sand filter, water flow to the sand filter can be closed via the sand filter's multiport valve.\*





**\*NOTE:** This position is not available on 4-Way Multiport Valves.

## GENERAL MAINTENANCE GUIDE

To ensure the maximum life of the MultiCyclone, please follow the procedures below:

1. Visually monitor through the MultiCyclone clear sediment chamber. Clean sediment chamber when accumulated sediment is half full.
2. Maintain a correct chemical balance of your pool / spa water. The chemical balance of water is a relationship between its pH, total alkalinity, calcium hardness and water temperature. The water must be maintained at all times to the following:

PH LEVEL	: BETWEEN 7.2 & 7.8.
TOTAL ALKALINITY	: BETWEEN 80 & 150ppm.
CALCIUM HARDNESS	: BETWEEN 150 & 300ppm.

Also, within these tolerances be balanced to the Langelier Saturation Index within a range of -0.2 to +0.2.

**Note:** Testing kits are available to test the water yourself or alternately bring a sample of the water to a professional pool and spa shop.

3. Mains water and rural water supplies need to be monitored. Saturation (life) in mains water or bore (rural) will vary depending on water quality.
4. To prevent damage to the pump and filter and for proper operation of the system, clean pump strainer and skimmer baskets regularly.
5. Replace the pressure gauge if faulty readings are observed.

## WINTERIZING

Proper procedures should always be taken in order to protect your filter in cold climates (temperatures below freezing point).

1. Switch off the Pump / Close the inlet valve.
2. Open the air release valve and open the purge valve to allow water to flow out of the MultiCyclone.
  - a. Sand Filter, move the Multi Port Valve handle to the winterise position (between filter and waste).
  - b. Cartridge Filter, open air release valve. This will allow air to through to all ports.
3. Remove any drain plugs from the pump.
4. Drain water from the pipe work.

## TROUBLESHOOTING GUIDE

Symptoms	Possible Problems / Solutions
Water Is Not Clear	Insufficient disinfectant level.
	Incorrect pool chemistry.
	Heavy bathing and/ or dirt loads.
	Incorrect flow.
	Insufficient running times. (Increase pump run time.)
	Filter is dirty. (Clean per instructions.)
	Hole in filter element.
	Air leak on suction line
	Pump impeller vanes blocked
	Other restrictions include (pool suction cleaners) resistance from other inline equipment such as strainers.
Pump not primed.	
Low Water Flow	Check strainer baskets for debris.
	Check for air leaks on suction side.
	Check for restrictions or blockage in either suction or return lines.
	System filter needs to be cleaned or replaced.
	Pool water level too low.
	Pump not primed.
	Pump impeller vanes blocked.
	Strainer baskets not being used and/ or not being cleaned regularly.
Pump operating under speed (low voltage).	
Short Filter Cycles	Presence of algae, check disinfectant content.
	Check pH and total alkalinity.
	Pump output exceeds design flow rate of filter, check pump performance.
	Ineffective cleaning, check conditionsof sediment chamber.
High Pressure on Start Up	Small eyeball fitting in Pool/ Spa.
	Partially closed valve on return line.
	Too large of pump, check selection.

## WARRANTY

MultiCyclone is covered by a 2 year warranty. Commercial installations are covered by a 1 year warranty.

Please refer to Waterco's warranty terms and conditions.

# Table of Contents

<b>CONSIGNES DE SÉCURITÉ .....</b>	<b>19</b>
<b>MULTICYCLONE .....</b>	<b>26</b>
<b>COURBE DE PERTE DE HAUTEUR MANOMÉTRIQUE DU MULTICYCLONE .....</b>	<b>28</b>
<b>INSTALLATION .....</b>	<b>28</b>
<b>PROCÉDURES DE DÉMARRAGE .....</b>	<b>33</b>
<b>ENTRETIEN DU FILTRE DU MULTICYCLONE .....</b>	<b>34</b>
<b>PRESSION D'EAU INSUFFISANTE .....</b>	<b>35</b>
<b>GUIDE D'ENTRETIEN GÉNÉRAL .....</b>	<b>36</b>
<b>PRÉPARATIFS POUR L'HIVER .....</b>	<b>37</b>
<b>GUIDE DE RECHERCHE DES CAUSES DE PANNES .....</b>	<b>38</b>
<b>GARANTIE .....</b>	<b>39</b>

## CONSIGNES DE SÉCURITÉ

1. Les filtres MultiCyclone de Waterco ont été conçus pour fonctionner avec de l'eau à une température comprise entre 0 °C et 45 °C. Le filtre ne doit jamais être utilisé à des températures autres, car il risquerait d'être endommagé.
2. L'installation doit être réalisée en respectant les normes et réglementations locales applicables en matière de sécurité.
3. Toute modification du filtre doit être préalablement autorisée par Waterco. Les pièces de rechange d'origine et les accessoires autorisés par le fabricant vous garantissent un haut niveau de sécurité. Waterco rejette toute responsabilité en cas de dégât ou de blessure occasionnée par l'emploi de pièces et accessoires qui ne sont pas autorisés.
4. L'utilisateur doit s'assurer que l'installation est confiée à des personnes qualifiées et autorisées et que ces personnes ont soigneusement lu les consignes suivantes au préalable.
5. L'utilisation en toute sécurité de ce filtre est uniquement garantie si les consignes d'installation et d'utilisation sont respectées à la lettre.
6. En cas de fonctionnement défectueux ou d'anomalie, contactez Waterco ou son agent d'entretien agréé le plus proche.
7. Pour réduire les risques de blessures, ne laissez pas d'enfants utiliser ce produit.
8. S'il est mal installé, cet équipement risque de tomber en panne et de provoquer des blessures graves ou de causer des préjudices matériels.
9. Les déversements et les vapeurs de produits chimiques peuvent altérer l'équipement de la piscine ou de la baignoire à remous. La corrosion peut faire tomber les filtres et les autres équipements en panne, provoquant des blessures graves ou causant des préjudices matériels. Ne stockez pas de produits chimiques pour piscine à proximité de vos équipements.

Veuillez toujours prendre des précautions de sécurité fondamentales, y compris les suivantes : Tout non-respect des instructions peut entraîner de graves blessures et/ou la mort.

Ceci est le symbole d'avertissement de sécurité. Lorsque vous voyez ce symbole sur votre équipement ou dans ce manuel, recherchez l'un des termes suivants et soyez vigilant au risque de blessures corporelles.



**⚠ AVERTISSEMENT** vous avertit des dangers qui **pourraient** entraîner de graves blessures corporelles, la mort ou des dégâts matériels importants et qui, s'ils sont ignorés, présentent un risque potentiel.

**⚠ MISE EN GARDE** vous avertit des dangers qui **vont** ou **peuvent** entraîner des blessures corporelles et/ou des dégâts matériels mineurs ou modérés et qui, s'ils sont ignorés, présentent un risque potentiel. Ce terme peut également informer les consommateurs d'actions imprévisibles et dangereuses.

**⚠ AVIS** indique des instructions spéciales importantes, mais sans rapport aux dangers.

**⚠ AVERTISSEMENT - Veuillez lire et suivre toutes les instructions du présent manuel du propriétaire et relatives à l'équipement. Tout non-respect des instructions peut entraîner de graves blessures et/ou la mort.**

**⚠ Avertissement - Risque de piégeage par aspiration.**

L'aspiration dans les prises et/ou les crépines d'aspiration qui sont abîmées, cassées, fissurées, manquantes ou non fixées correctement peut entraîner de graves blessures corporelles et/ou la mort à cause des risques d'aspiration suivants :



**Aspiration des cheveux** - Les cheveux peuvent se retrouver coincés dans la crépine d'aspiration.



**Aspiration d'un membre** - Un membre inséré dans l'ouverture ou la crépine d'une prise d'aspiration abîmée, cassée, fissurée, manquante ou non fixée correctement peut entraîner un blocage mécanique ou le gonflement du membre.



**Aspiration du corps** - Une pression négative appliquée sur une grande partie du corps ou des membres peut plaquer la personne et l'empêcher de bouger.

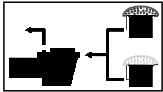


**Éviscération/Éventration** - Une pression négative appliquée directement sur les intestins par une prise d'aspiration non protégée ou une crépine d'aspiration abîmée, cassée, fissurée, manquante ou non fixée correctement peut entraîner une éviscération ou une éventration.



**Aspiration mécanique** - Il est possible que les bijoux, les maillots de bain, les accessoires pour cheveux, les doigts, les orteils ou les articulations des doigts se retrouvent coincés dans l'ouverture d'une crépine d'aspiration.

**⚠ AVERTISSEMENT - Afin de réduire les risques de piégeage :**



- Lorsque les prises d'aspiration peuvent facilement être bloquées par une personne, il faut installer au moins deux prises d'aspiration opérationnelles par pompe. Les prises d'aspiration se trouvant sur le même plan (au sol ou sur les parois) doivent être installées à un mètre minimum de distance les unes des autres, mesuré entre les deux points les plus rapprochés.
- Les doubles prises d'aspiration doivent être positionnées de manière à éviter un double blocage par un utilisateur.
- Elles ne doivent pas être installées sur les places assises ou les dossiers de ces places assises.
- Le débit maximal du système ne doit pas dépasser le débit indiqué à la page 7.
- Ne jamais utiliser la piscine ou le spa si l'un des composants des prises d'aspiration est abîmé, cassé, fissuré, manquant ou non fixé correctement.
- Les composants des prises d'aspiration abîmés, cassés, fissurés, manquants ou non fixés correctement doivent être remplacés immédiatement.
- En plus des deux prises d'aspiration minimum installées par pompe, conformément aux dernières normes ASME, APSP et aux directives CPSC, il faut suivre tous les codes nationaux, fédéraux et locaux applicables.
- Il est recommandé d'installer un système de sécurité contre l'effet ventouse afin d'éviter tout piégeage par aspiration.

**⚠ AVERTISSEMENT - Tout oubli de retrait des bouchons de test de pression et/ou des bouchons utilisés pour l'hivernage de la piscine/du spa des prises d'aspiration peut entraîner un risque accru de piégeage par aspiration, comme décrit ci-dessus.**

**⚠ AVERTISSEMENT - Le fait de ne pas s'assurer que les composants des prises d'aspiration sont exempts de débris, tels que des feuilles, des saletés, des cheveux, du papier et autres matières, peut entraîner un risque accru de piégeage par aspiration, comme décrit ci-dessus.**

**⚠ AVERTISSEMENT - Les composants des prises d'aspiration ont une durée de vie limitée. La crépine/grille doit donc être fréquemment inspectée et remplacée tous les SEPT ans minimum ou si elle est abîmée, cassée, fissurée, manquante ou non fixée correctement.**

**⚠ MISE EN GARDE - Les composants, tels que le système de filtration, de chauffage et les pompes, doivent être positionnés de manière à ne pas pouvoir être utilisés comme un moyen d'accès à la piscine par les jeunes enfants.** Afin de réduire les risques de blessures, ne pas autoriser les enfants à utiliser ou à monter sur ce produit. Les enfants doivent toujours être supervisés de près. Les composants, tels que le système de filtration, de chauffage et les pompes, doivent être positionnés de manière à empêcher les jeunes enfants de les utiliser pour accéder à la piscine.



**⚠ AVERTISSEMENT - Pression dangereuse.** Les systèmes de circulation de l'eau de la piscine et du spa fonctionnent sous une pression dangereuse lors du démarrage, du fonctionnement normal et après l'arrêt de la pompe. Se tenir à l'écart de l'équipement du système de circulation lors du démarrage de la pompe. À cause de la pression dans le système, tout non-respect des instructions de sécurité et d'utilisation pourrait provoquer la séparation violente du boîtier de la pompe et de son couvercle et/ou du boîtier du filtre et de son anneau de retenue, ce qui pourrait entraîner des dégâts matériels, de graves blessures corporelles, voire la mort. Avant de réviser le système de circulation de l'eau de la piscine et du spa, toutes les commandes du système et de la pompe doivent être en position « Off » et la vanne manuelle de mise à l'air du filtre doit être ouverte. Avant de démarrer la pompe, toutes les vannes du système doivent être positionnés de manière à permettre à l'eau de retourner dans la piscine. Ne pas changer la position de la vanne de réglage du filtre lorsque la pompe fonctionne. Avant de démarrer la pompe, ouvrir totalement la vanne manuelle de mise à l'air du filtre. Ne pas fermer la vanne manuelle de mise à l'air du filtre tant qu'un jet d'eau continu (pas un jet d'air ou de mélange d'air et d'eau) ne circule.

**⚠ AVERTISSEMENT - Risque de séparation.** Tout non-respect des instructions de sécurité et d'utilisation pourrait provoquer la séparation violente des composants de la pompe et/ou du filtre. La grille de la crépine doit être fixée correctement sur le boîtier de la pompe à l'aide de l'anneau de sécurité. Avant de réviser le système de circulation de la piscine et du spa, la vanne manuelle de mise à l'air du filtre doit être ouverte. Ne pas faire fonctionner le système de circulation de la piscine et du spa si un composant du système n'est pas monté correctement, est abîmé ou manquant. Ne pas faire fonctionner le système de circulation de la piscine et du spa si la vanne manuelle de mise à l'air du filtre n'est pas verrouillée dans le corps supérieur du filtre. **Ne jamais faire fonctionner ni tester le système de circulation à une pression supérieure à 3,4 bar. Ne pas purger le système à l'air comprimé.** Le fait de purger le système à l'air comprimé peut provoquer l'explosion des composants avec un risque de blessures graves ou mortelles pour toute personne se trouvant à proximité. Utiliser uniquement un souffleur grand volume à faible pression (inférieure à 0,34 bar) pour purger la pompe, le filtre ou les canalisations.



**⚠ AVERTISSEMENT - Risque de choc électrique.** Tous les fils électriques DOIVENT être conformes aux codes et réglementations locaux applicables, ainsi qu'au National Electric Code (NEC). Toute tension dangereuse peut provoquer un choc, des brûlures, de graves dégâts matériels ou entraîner la mort. Afin de réduire le risque de choc électrique, NE PAS utiliser de rallonge pour brancher l'alimentation électrique. Fournir une prise électrique à une position adéquate. Avant de commencer à travailler sur tout matériel électrique, couper l'alimentation électrique. Afin de réduire le risque de choc électrique, remplacer immédiatement les fils endommagés. Positionner la conduite afin d'éviter qu'elle ne puisse être endommagée par les tondeuses, les taille-haies et autre équipement. NE PAS mettre à la terre sur une conduite d'alimentation en gaz.



**⚠ AVERTISSEMENT - Risque de choc électrique.** Le fait de négliger de mettre tout matériel électrique à la terre peut entraîner un risque de choc électrique grave, voire mortel. Tout matériel électrique doit être mis à la terre avant d'être raccordé à l'alimentation électrique.

**⚠ AVERTISSEMENT - Risque de choc électrique.** Le fait de négliger de créer une liaison équipotentielle entre tout matériel électrique et la structure de la piscine augmente le risque d'électrocution et peut entraîner des blessures ou la mort. Afin de réduire le risque de choc électrique, se reporter aux instructions d'installation et consulter un électricien professionnel sur la manière de créer une liaison équipotentielle pour tout le matériel électrique. Pour obtenir des informations sur les codes électriques locaux relatifs aux exigences de liaison équipotentielle, contacter un électricien agréé.

**Remarques à l'attention des électriciens :** Utiliser un conducteur en cuivre de taille 8 AWG ou plus gros. Tirer un fil continu entre la cosse externe et le piquet ou le grillage. Raccorder un fil de liaison équipotentielle en cuivre de 8 AWG (8,4 mm<sup>2</sup>) [6 AWG (13,3 mm<sup>2</sup>) pour le Canada] au connecteur de fil à pression présent sur le matériel électrique et à toutes les parties métalliques de la piscine, du spa ou du jacuzzi et aux conduites métalliques (à l'exception des conduites de gaz) dans un rayon de 1,5 m des parois intérieures de la piscine, du spa ou du jacuzzi.

**IMPORTANT** - Se reporter aux codes NEC pour toutes les normes de câblage, y compris, sans limitation, la mise à la terre, la liaison équipotentielle et autres procédures générales de câblage.



**⚠ AVERTISSEMENT - Risque de choc électrique.** Le matériel électrique doit uniquement être connecté à un circuit d'alimentation protégé par un disjoncteur de fuites à la terre. Ce disjoncteur de fuites à la terre doit être fourni par l'installateur et testé régulièrement. Pour tester le disjoncteur de fuites à la terre, appuyer sur le bouton de test. Il doit couper l'alimentation. Appuyer sur le bouton de réinitialisation. L'alimentation doit être rétablie. Si le disjoncteur de fuites à la terre ne fonctionne pas de cette manière, il est défectueux. S'il coupe l'alimentation du matériel électrique sans que l'on appuie sur le bouton de test, cela indique la présence d'un courant à la terre et d'un risque de choc électrique. Ne pas utiliser ce matériel électrique. Débrancher le matériel électrique et le faire réparer par un représentant agréé avant de l'utiliser.

**⚠ MISE EN GARDE** - Les pompes Waterco sont conçues pour être utilisées dans des piscines installées de manière permanente, ainsi que dans des jacuzzis et spas, si cela est indiqué. Ne pas les utiliser dans des piscines démontables. Une piscine installée de manière permanente est construite dans ou sur le sol ou dans un bâtiment et ne peut pas être démontée. Une piscine démontable est construite de manière à pouvoir être facilement démontée pour la ranger et remontée par la suite.

**⚠ AVERTISSEMENT - Risque d'hyperthermie.** Afin d'éviter l'hyperthermie, il est recommandé de suivre les règles de sécurité suivantes pour les jacuzzis de la Commission américaine de sécurité des produits de consommation (CPSC).

1. La température de l'eau du spa ou du jacuzzi ne doit jamais dépasser 38°C, la température considérée sans danger pour un adulte en bonne santé. Il est recommandé de prendre des précautions spéciales pour les jeunes enfants. Une immersion prolongée dans de l'eau chaude peut entraîner une hyperthermie.
2. La consommation d'alcool avant ou pendant l'utilisation du spa ou du jacuzzi peut entraîner une somnolence qui peut provoquer une perte de connaissance et une noyade.
3. Les femmes enceintes doivent faire preuve de prudence. L'immersion dans une eau à une température supérieure à 38°C peut avoir des effets nocifs sur le fœtus au cours des trois premiers mois de grossesse (résultant en des lésions cérébrales ou déformations physiques chez l'enfant). Les femmes enceintes doivent respecter la règle fixant la température maximale à 38°C.
4. Avant d'entrer dans le spa ou le jacuzzi, les utilisateurs doivent contrôler la température de l'eau à l'aide d'un thermomètre précis. Les thermostats des spas ou jacuzzis peuvent régler la température de l'eau avec des tolérances allant jusqu'à 2,2°C.
5. Les personnes prenant des médicaments entraînant une somnolence, comme des sédatifs, antihistaminiques ou anticoagulants, ne doivent pas utiliser de spa ou de jacuzzi.
6. Si la piscine ou le spa est utilisé(e) à des fins thérapeutiques, il faut suivre les recommandations du médecin. Toujours agiter l'eau de la piscine/du spa avant d'y entrer afin de mélanger l'eau de surface dont la température pourrait dépasser les limites de températures saines et entraîner des blessures. Ne pas toucher aux boutons de commande afin d'éviter tout risque de brûlure en cas de dysfonctionnement de ces derniers.
7. Les personnes avec des antécédents de maladie cardiaque, de problèmes de circulation, atteintes de diabète ou d'hypertension doivent demander l'avis de leur médecin avant d'utiliser des spas ou des jacuzzis.
8. On parle d'hyperthermie lorsque la température interne du corps dépasse de plusieurs degrés la température corporelle normale de 37°C. Les symptômes de l'hyperthermie incluent notamment une somnolence, une léthargie, des étourdissements, des évanouissements et une augmentation de la température corporelle.

**Les effets de l'hyperthermie incluent :**

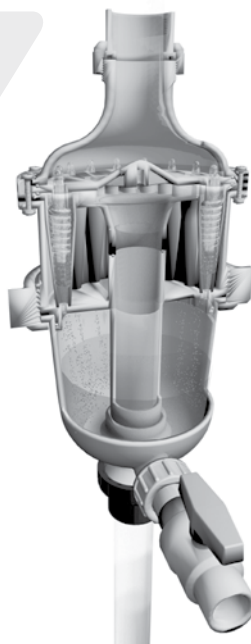
1. l'ignorance d'un danger imminent ;
2. l'incapacité à percevoir la chaleur ;
- 3 l'incapacité à reconnaître qu'il est temps de sortir du spa ;
4. l'incapacité physique à sortir du spa ;
5. des effets nocifs sur le fœtus chez les femmes enceintes ;
6. une perte de conscience entraînant un risque de noyade.

**VEUILLEZ CONSERVER CES CONSIGNES.**

## MULTICYCLONE

Le MultiCyclone est un appareil de préfiltration exceptionnel qui peut vous permettre d'économiser en eau et de réduire l'entretien du filtre de votre piscine au minimum. Reposant sur les principes de la filtration centrifuge de l'eau, le MultiCyclone filtre jusqu'à 80 % des impuretés d'une piscine avant qu'elles atteignent le filtre de la piscine et nécessite seulement 15 litres (4 gallons) d'eau pour être nettoyé.

- Réduit l'entretien du filtre au minimum et permet d'économiser en eau.
- Pas de masse filtrante à nettoyer ou remplacer.
- Hydrocyclones multiples.
- Compatible avec les installations neuves comme existantes.



### FILTRATION CENTRIFUGE DE L'EAU

L'eau entrante pénètre indirectement dans ses multiples hydrocyclones, générant un effet centrifuge puissant. Environ 80 % des impuretés entrantes descendent en spirales dans le collecteur de sédiments transparent. L'eau sortante est alors filtrée par le système de filtration pour piscines.

### Simple à entretenir

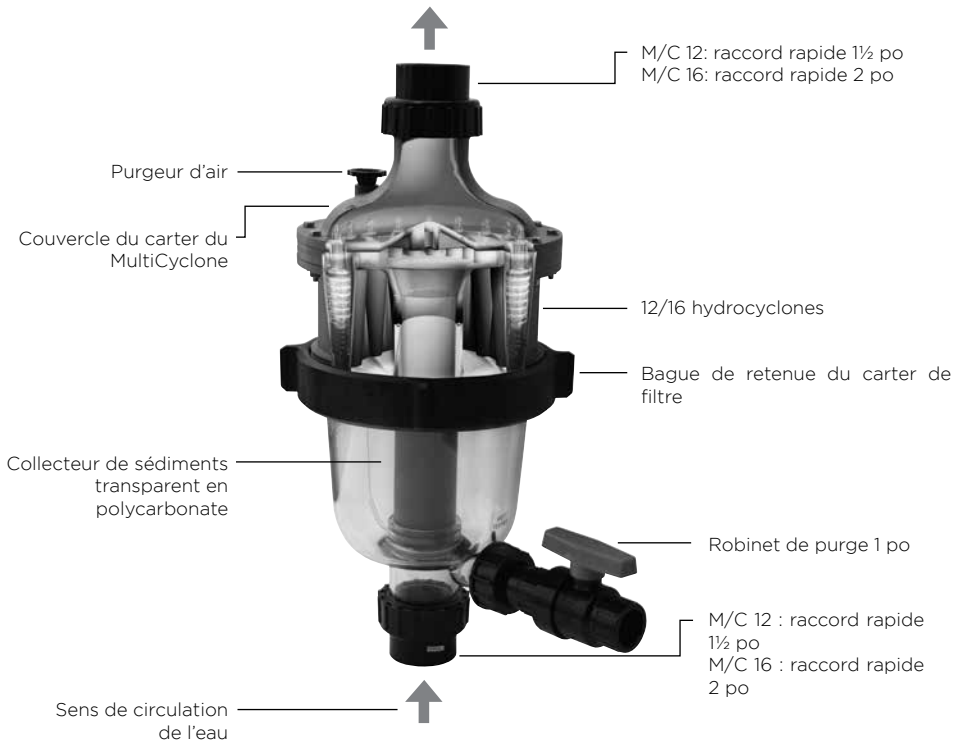
Le collecteur de sédiments du MultiCyclone est facile à nettoyer. Pour ce faire, il suffit d'ouvrir le robinet de purge. Il rejette uniquement 15 litres (4 gallons) d'eau.

### Fréquence de rétrolavage du filtre à sable réduite au minimum

TL'installation d'un MultiCyclone comme préfiltre de filtre à sable peut réduire sa fréquence de rétrolavage à un seul par an, permettant d'économiser jusqu'à 7 000 litres (1 850 gallons) d'eau par an pour une piscine résidentielle moyenne.

### Nettoyage et remplacement de la cartouche du filtre réduits au minimum

L'installation d'un MultiCyclone comme préfiltre de filtre à cartouche peut réduire le nettoyage et le remplacement de la cartouche du filtre à un seul par saison de baignade, voire à un seul par an selon la taille du filtre à cartouche.

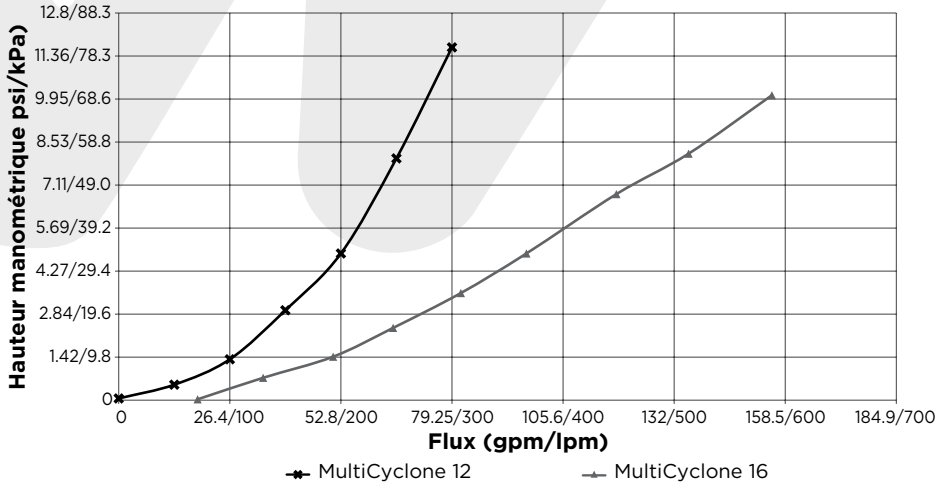


Vous pouvez contrôler l'accumulation des sédiments visuellement à travers le collecteur de sédiments transparent du MultiCyclone. Pour nettoyer le collecteur de sédiments du MultiCyclone, il suffit d'ouvrir le robinet de purge. 15 litres (4 gallons) d'eau se déversent alors pour évacuer les sédiments du MultiCyclone.

**Remarque:** le mouvement centrifuge du MultiCyclone a été conçu pour filtrer les sédiments qui sont plus lourds que l'eau. Les saletés qui flottent ne peuvent pas être filtrées et évacuées par filtration centrifuge.

Modèle	Dimensions des raccords	Débit min.	Débit max.	Pression max.
MultiCyclone 12	Raccord rapide 1½ po"	11gpm	79gpm	50psi
MultiCyclone 16	Raccord rapide 2 po	13gpm	132gpm	50psi

## COURBE DE LA PERTE DE HAUTEUR MANOMÉTRIQUE DU MULTICYCLONE PLUS



## INSTALLATION

Veillez à respecter le Code de plomberie applicable sur votre territoire.

Vérifiez que toutes les dispositions prises pour évacuer les eaux usées sont conformes aux codes applicables localement, régionalement ou nationalement. Ne rejetez pas d'eau à un endroit où elle pourrait causer une inondation ou des dégâts.

Si la pression de l'eau entrante est supérieure à la pression de service maximale de 350 kPa/3,5 bar/50 psi, vous devez installer un régulateur de pression (RP) en amont de l'entrée du filtre.

Le RP doit être réglé à 90 % de la pression de service maximale du collecteur.

Si le débit d'eau entrante est inférieur au débit minimal requis par le filtre, cela affectera l'efficacité de la filtration. Dans ce cas, veuillez consulter Waterco.

## Installation standard

1. Positionnez le filtre le plus près possible de la piscine ou de la baignoire à remous.
2. Placez le filtre à un endroit où il ne risque pas d'être immergé et à l'écart des puisards, des gouttières, des cavités du jardin, etc.
3. Positionnez le filtre de telle sorte que les raccords de plomberie, le robinet de purge et le purgeur d'air se situent à des endroits pratiques et accessibles pour toute intervention, tout entretien et toute préparation pour l'hiver.
4. Veillez à ce que l'étiquette de conformité soit visible de l'avant afin d'être facilement identifiable.
5. Le filtre doit être placé sur une dalle plane en béton, sur un sol très ferme ou sur un support équivalent. Vérifiez que le sol ne s'affaissera pas afin que la plomberie raccordée ne soit pas mise à l'épreuve.
6. Vérifiez que le filtre ne bouge pas lorsque le robinet de purge est en fonctionnement.
7. Prévoyez un dégagement suffisant tout autour du filtre afin de pouvoir inspecter l'intégralité de l'installation visuellement.

\*NOTE: DE FILTERS REQUIRE A BYPASS



Installation standard avec filtre à sable



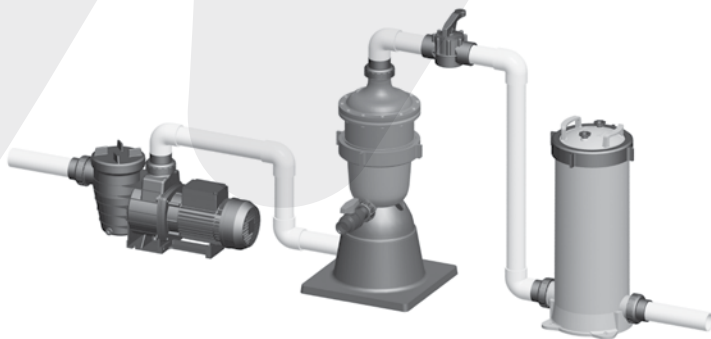
Installation standard avec filtre à cartouche



Installation standard avec un filtre à diatomées

## Support de montage disponible en option (200373)

Un support de montage est également proposé en option au cas où vous ne pouvez pas installer le MultiCyclone juste au-dessus de la pompe de votre piscine.



Installation avec le support de montage facultatif

## Plomberie

1. Vérifiez que la pression de l'eau entrante est conforme à la pression de service recommandée pour le filtre et qu'un régulateur de pression est bien installé si vous utilisez de l'eau provenant du réseau d'adduction ou d'une pompe à haute pression.
2. Veillez à installer un clapet de pied ou un clapet antiretour si la pompe est installée 500 mm ou 20 pouces au-dessus du niveau de l'eau.
3. Si le filtre est posé en dessous du niveau de l'eau ou raccordé au réseau d'adduction, installez des clapets d'isolement à l'entrée et à la sortie du filtre. Cela empêchera l'eau de circuler durant les opérations d'entretien d'usage.
4. Réduisez la longueur du tuyau et le nombre de raccords au minimum afin de réduire le débit d'eau le moins possible.
5. Vérifiez que tous les raccords de plomberie sont collés et solidement serrés afin d'éviter toute fuite.
6. Veillez à ne pas appliquer une trop grande quantité de solvants sur les raccords, car ils pourraient pénétrer dans les joints toriques et créer des problèmes de fuites.
7. Évitez de serrer excessivement les raccords ou adaptateurs.



Vissez les demi-raccords unions et les bouts fournis à l'entrée et à la sortie avant de coller le tuyau en PVC rigide sur le filtre.

### **AVERTISSEMENT**

**Utilisez exclusivement la colle recommandée pour raccorder des tuyaux et raccords.**

Coupez et installez le tuyau et les raccords sur le MultiCyclone et la pompe. **Consultez** le guide d'installation de la pompe et suivez à la lettre les procédures prévues pour la plomberie de la pompe.

**Mieux** vaut installer tous les tuyaux et raccords coupés sur le système de filtration **avant** de les coller. Ainsi, vous pourrez vérifier que le système est correctement **aligné**.

Collez le tuyau et les raccords sur la pompe, ainsi que le filtre et la conduite de retour vers la piscine. Puis, **laissez** la colle sécher pendant **24 heures** avant de mettre le système en service.

## **Raccords de plomberie**

1. Veillez à installer un clapet de pied ou un clapet antiretour si la pompe est installée 500 mm ou 20 pouces au-dessus du niveau de l'eau.
2. Si le filtre est posé en dessous du niveau de l'eau ou raccordé au réseau d'adduction, installez des clapets d'isolement à l'entrée et à la sortie du filtre. Cela empêchera l'eau de circuler durant les opérations d'entretien d'usage.
3. Réduisez la longueur du tuyau et le nombre de raccords au minimum afin de réduire le débit d'eau le moins possible.
4. Raccordez le tuyau sortant de la pompe à l'entrée du MultiCyclone.
5. Raccordez le tuyau sortant du MultiCyclone à l'élément de tuyauterie suivant du système de filtration.
6. Collez toute la plomberie aux raccords unions en suivant les consignes du fabricant de la colle (solvant) et laissez sécher pendant 24 heures. Veillez à ne pas appliquer une trop grande quantité de colle (solvant) sur les raccords unions, car elle pourrait pénétrer dans les joints toriques et créer des problèmes de fuites.

**Remarque:** Waterco recommande d'installer un robinet d'arrêt en aval du MultiCyclone, sur la conduite de retour vers la piscine afin de favoriser l'évacuation des saletés collectées. Veuillez consulter le chapitre « Pression d'eau insuffisante » pour en savoir plus.

7. Raccordez le tuyau d'évacuation. Collez la tuyauterie partant du robinet de purge des sédiments à un tuyau d'évacuation, à une conduite pour eaux usées ou un système de drainage.
8. Allumez la pompe de la piscine. N'oubliez pas de vérifier qu'il n'y a pas de fuite au niveau des raccords. Si besoin, serrez-les à la main.

## PROCÉDURES DE DÉMARRAGE

Le MultiCyclone est un système de filtration avancé hautement efficace. Il fonctionnera pendant des années sans tomber en panne si vous respectez les procédures d'entretien décrites ci-dessous. Procédez de la même façon pour démarrer un système de filtration neuf ou fraîchement nettoyé.

1. Veillez à ce que le MultiCyclone soit correctement raccordé à la plomberie.
2. Vérifiez que tous les robinets installés en amont et en aval du MultiCyclone sont ouverts.
3. Desserrez le purgeur d'air situé en haut du filtre MultiCyclone.
4. Amorcez la pompe de votre piscine. (Pour ce faire, consultez le guide d'installation et d'utilisation de la pompe.)
5. Allumez la pompe de la piscine et laissez la pompe tourner jusqu'à ce que tout l'air ait été évacué du MultiCyclone. De l'eau s'écoulera du purgeur d'air.
6. Resserrez le purgeur d'air.
7. Le filtre est amorcé et prêt à fonctionner.

**Remarque:** il arrive que vous deviez réaliser cette opération plusieurs fois avant que le filtre soit amorcé et réellement prêt à fonctionner.

### AVERTISSEMENT

**Ne vous tenez pas au-dessus du MultiCyclone lorsque vous réglez le purgeur d'air pour évacuer l'air du système.**

**Vous pourriez être blessé si le purgeur d'air se desserrait.**

## ENTRETIEN DU FILTRE DU MULTICYCLONE

L'entretien du filtre MultiCyclone Plus dépend des conditions décrites ci-dessous.

1. Le collecteur de sédiments est à moitié rempli de sédiments. Vous pouvez contrôler l'accumulation des sédiments visuellement à travers le collecteur de sédiments transparent. Le MultiCyclone est facile à nettoyer : il suffit d'ouvrir le robinet de purge. 15 litres (4 gallons) d'eau se déversent alors pour évacuer les sédiments du MultiCyclone.

### **Purge du collecteur de sédiments**

#### **Avec la pompe en fonctionnement:**

Lorsque la pompe à eau fonctionne, il vous suffit d'ouvrir le robinet de purge jusqu'à ce que les sédiments soient évacués. Vous pourrez le constater visuellement à travers le collecteur de sédiments transparent. Fermez le robinet de purge dès que les sédiments ont été évacués.

#### **Avec la pompe à l'arrêt:**

Sinon, éteignez la pompe. Ouvrez le purgeur d'air, puis le robinet de purge. L'eau s'écoulera par le MultiCyclone, évacuant la majeure partie des saletés du collecteur de sédiments. Ensuite, fermez le purgeur d'air et allumez la pompe. L'agitation de l'eau entrant dans le collecteur de sédiments évacuera le reste de sédiments. Dès que le collecteur de sédiments est propre, fermez le robinet de purge et démarrez la pompe. Puis, fermez le purgeur d'air dès que de l'eau s'écoule au travers.

## PRESSION D'EAU INSUFFISANTE

Il arrive que le débit d'eau de la pompe soit insuffisant pour évacuer les sédiments du collecteur de sédiments. Waterco recommande alors d'installer un robinet à deux voies en aval du MultiCyclone, sur la conduite de retour de l'eau de piscine.

Le robinet à deux voies permet d'augmenter le débit de l'eau provenant du MultiCyclone, augmentant l'agitation de l'eau qui passe à travers le collecteur de sédiments et améliorant ainsi son action purgative.

Si la pompe est en fonctionnement, ouvrez le robinet de purge, puis fermez le robinet à deux voies partiellement en augmentant suffisamment le débit d'eau pour évacuer les sédiments présents dans le collecteur de sédiments. Dès que le collecteur de sédiments est propre, fermez le robinet à deux voies, puis le robinet de purge.

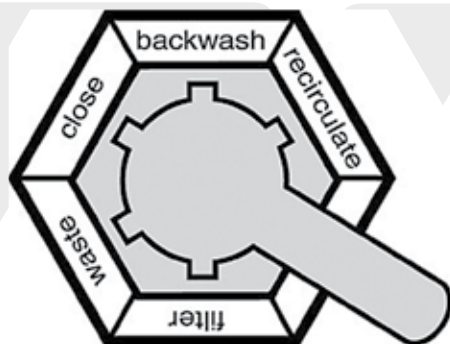


Installation avec filtre à cartouche et robinet d'arrêt à deux voies

### **⚠ AVERTISSEMENT**

**Ne fermez pas le robinet à deux voies avant d'avoir ouvert le robinet de purge et ne fermez pas le robinet de purge lorsque le robinet à deux voies est partiellement ou complètement fermé. Les deux robinets ne doivent jamais être complètement ou partiellement fermés en même temps.**

Si vous installez le MultiCyclone comme préfiltre d'un filtre à sable, vous pouvez couper l'eau circulant jusqu'au filtre à sable à l'aide du robinet multivoie du filtre à sable.\*



**\*REMARQUE :** cette position n'existe pas sur les robinets à 4 voies.

## GUIDE D'ENTRETIEN GÉNÉRAL

Pour que le MultiCyclone dure aussi longtemps que possible, veuillez suivre les procédures décrites ci-dessous.

1. Contrôlez l'accumulation des sédiments visuellement à travers le collecteur de sédiments transparent. Nettoyez le collecteur de sédiments lorsqu'il est à moitié plein de sédiments accumulés.
2. Maintenez un équilibre chimique adapté dans l'eau de votre piscine ou baignoire à remous. L'équilibre chimique de l'eau se définit par son pH, son alcalinité totale, sa dureté calcique et sa température. L'eau doit présenter les propriétés suivantes en toutes circonstances :

NIVEAU DE PH	: ENTRE 7,2 ET 7,8.
ALCALINITÉ TOTALE	: ENTRE 80 ET 150 ppm.
DURETÉ CALCIQUE	: ENTRE 150 ET 300 ppm.

En plus de respecter les seuils définis ci-dessus, l'indice de saturation de Langelier doit également être compris entre -0,2 et +0,2 en toutes circonstances.

**Remarque:** il existe des trousse de test qui permettent de tester l'eau soi-même. Sinon, vous pouvez apporter un échantillon d'eau à un magasin professionnel. spécialisé dans les piscines et les baignoires à remous.

3. Vous devez contrôler l'équilibre de l'eau provenant du réseau d'adduction ou du réseau rural. La saturation (durée de vie) de l'eau provenant d'un réseau d'adduction ou d'un forage (réseau rural) varie en fonction de la qualité de l'eau.
4. Nettoyez régulièrement la crépine de la pompe et les paniers flottants afin de préserver la pompe et le filtre et de permettre au système de fonctionner correctement.
5. Remplacez le manomètre s'il affiche des valeurs incorrectes

## PRÉPARATIFS POUR L'HIVER

Dans les climats froids (températures inférieures au point de gel), vous devez systématiquement respecter les procédures de préparation pour l'hiver afin de protéger votre filtre.

1. Éteignez la pompe/fermez le robinet d'admission.
2. Ouvrez le purgeur d'air et le robinet de purge afin que l'eau s'échappe du MultiCyclone.
  - a. Concernant le filtre à sable, positionnez la poignée du robinet multivoie en position hivernale (entre « filtrer » et « évacuer »).
  - b. Concernant le filtre à cartouche, ouvrez le purgeur d'air afin que l'air puisse s'échapper par tous les orifices.
3. Retirez les éventuels bouchons de purge de la pompe.
4. Videz la tuyauterie de son eau.

## GUIDE DE RECHERCHE DES CAUSES DE PANNES

Symptômes	Problèmes/solutions possibles
L'eau n'est pas transparente.	Le niveau de désinfectant est insuffisant.
	L'équilibre chimique de l'eau de la piscine est mauvais.
	Il y a un grand nombre de baigneurs ou d'impuretés.
	Le débit est mauvais.
	Les périodes de filtration ne sont pas assez longues. (Augmentez la durée de fonctionnement de la pompe.)
	Le filtre est sale. (Nettoyez-le en suivant les consignes.)
	La cartouche filtrante est percée.
	Il y a une fuite d'air au niveau de la conduite d'aspiration.
	Les aubes de la roue centrifuge sont bloquées.
	D'autres éléments gênants (aspirateurs de piscine) peuvent également obliger d'autres équipements du système à résister, par exemple les crépines.
La pompe n'est pas amorcée.	
Le débit d'eau est faible.	Vérifiez que les crépines ne sont pas sales.
	Vérifiez qu'il n'y a pas de fuites d'air côté aspiration.
	Vérifiez qu'il n'y a pas d'éléments gênants ou d'obstructions dans les conduites d'aspiration ou de retour.
	Nettoyez ou remplacez le filtre du système.
	Le niveau d'eau de la piscine est trop faible.
	La pompe n'est pas amorcée.
	Les aubes de la roue centrifuge sont bloquées.
	Les crépines ne sont pas utilisées ou nettoyées régulièrement.
La pompe est en sous-régime (basse tension).	
Les cycles de filtration sont courts.	Il y a des algues. Vérifiez le niveau de désinfectant.
	Vérifiez le pH et l'alcalinité totale.
	L'eau sortant de la pompe circule à un débit supérieur à celui prévu pour le filtre. Vérifiez que la pompe fonctionne correctement.
	Le nettoyage n'a pas fonctionné. Vérifiez l'état du collecteur de sédiments.
La pression est élevée au démarrage.	Il y a un petit raccord à œillet dans la piscine/baignoire à remous.
	Le robinet situé sur la conduite de retour est partiellement fermé.
	Le système est surdimensionné pour la pompe : vérifiez ce que vous avez choisi.



## **GARANTIE**

Le MultiCyclone est garanti pendant 2 ans et la main-d'œuvre est garantie pendant 1 an. Les installations commerciales sont garanties pendant 1 an.

Pour en savoir plus, veuillez consulter les conditions générales de la garantie Waterco.

# Table of Contents

<b>INFORMACIÓN DE SEGURIDAD .....</b>	<b>41</b>
<b>MULTICYCLONE .....</b>	<b>48</b>
<b>CURVA DE PÉRDIDA DE CARGA TOTAL MULTICYCLONE ..</b>	<b>50</b>
<b>INSTALACIÓN .....</b>	<b>50</b>
<b>PROCEDIMIENTO DE ARRANQUE .....</b>	<b>55</b>
<b>MANTENIMIENTO DEL FILTRO MULTICYCLONE .....</b>	<b>56</b>
<b>PRESIÓN INSUFICIENTE DEL AGUA .....</b>	<b>57</b>
<b>GUÍA DE MANTENIMIENTO GENERAL .....</b>	<b>58</b>
<b>HIBERNACIÓN .....</b>	<b>59</b>
<b>GUÍA DE SOLUCIÓN DE PROBLEMAS .....</b>	<b>60</b>
<b>GARANTÍA .....</b>	<b>61</b>

## INFORMACIÓN DE SEGURIDAD

1. Los filtros MultiCyclone de Waterco están diseñados para funcionar con agua a una temperatura > de 0 °C y < de 45 °C. El filtro nunca debe funcionar fuera de este rango de temperaturas, porque podrían producirse daños.
2. La instalación debe realizarse de acuerdo con las normas y leyes de seguridad locales.
3. Cualquier modificación del filtro requiere el consentimiento previo de Waterco. Las piezas de repuesto y los accesorios originales autorizados por el fabricante aseguran un alto nivel de seguridad. Waterco no asume responsabilidad por los daños y lesiones causados por piezas de recambio y accesorios no autorizados.
4. El usuario debe asegurarse de que la instalación es realizada por personas cualificadas autorizadas y que estas personas han leído primero cuidadosamente las siguientes instrucciones.
5. La seguridad operativa del filtro solo se garantiza si se siguen correctamente las instrucciones de instalación y funcionamiento.
6. En el caso de un funcionamiento defectuoso o de fallo, póngase en contacto con Waterco o su agente de servicio autorizado más próximo.
7. Para reducir el riesgo de lesiones, no permita que los niños utilicen este producto.
8. El equipo instalado incorrectamente puede fallar, causando lesiones graves o daños en la propiedad.
9. Los derrames químicos y los humos pueden debilitar el equipo de piscina/spa. La corrosión puede provocar el fallo del filtro y otros equipos, causando lesiones graves o daños en la propiedad. No almacene los productos químicos de la piscina cerca de su equipo.

Siempre debe seguir las instrucciones básicas de seguridad: en caso de no seguir estas instrucciones, pueden producirse lesiones graves o la muerte.

Este es el símbolo de advertencia de seguridad. Cuando vea este símbolo en su equipo o en este manual, busque una de las siguientes palabras de advertencia y preste atención a las posibles lesiones corporales que pueden producirse.



**⚠️ ADVERTENCIA** avisa sobre peligros que **podrían** provocar lesiones corporales graves, la muerte o daños materiales importantes y, si se ignora, supone un peligro potencial.

**⚠️ PRECAUCIÓN** avisa sobre peligros que pueden ocasionar u ocasionarán lesiones corporales leves o moderadas o daños materiales y, si se ignora, supone un peligro potencial. También puede avisar al usuario de actividades que resultan impredecibles e inseguras.

**⚠️** La marca de **AVISO** indica la presencia de instrucciones especiales que son importantes pero no están relacionadas con ningún peligro.

**⚠️ ADVERTENCIA: Lea y siga todas las instrucciones de este manual de uso y del equipo. En caso de no seguir estas instrucciones, pueden producirse lesiones graves o la muerte.**

**⚠️ Advertencia: Peligro de atrapamiento por succión.**

Las tomas de succión o las tapas de las tomas de succión que falten o estén dañadas, rotas, rajadas o sueltas pueden ocasionar lesiones graves o la muerte en caso de succión debido a los siguientes peligros de atrapamiento:



**Atrapamiento de pelo:** el pelo puede enredarse en la tapa de la toma de succión.



**Atrapamiento de extremidades:** introducir una extremidad en una abertura del sumidero de una toma de succión o en la tapa de una toma de succión que falte o esté dañada, rota, rajada o mal colocada puede provocar atascamiento mecánico o hinchazón de la extremidad.



**Atrapamiento por succión de cuerpo:** si una parte grande del cuerpo o las extremidades recibe presión negativa, puede producirse un atrapamiento.



**Evisceración/destripamiento:** la presión negativa aplicada directamente a los intestinos a través de una toma de succión sin cubrir o una tapa de una toma de succión que falte o esté dañada, rota, rajada o suelta puede provocar evisceración o destripamiento.

**Atrapamiento mecánico:** las joyas, el bañador, los adornos para el pelo, los dedos de las manos, los pies o los nudillos pueden quedarse atrapados en una abertura de una tapa de una toma de succión y provocar atrapamiento mecánico.

**⚠ ADVERTENCIA: Para reducir los peligros de atrapamiento:**



- Cuando las tomas son lo suficientemente pequeñas para que una persona pueda taponarlas, se deben instalar dos tomas de succión por bomba. Las tomas de succión que estén en el mismo plano (por ejemplo, el suelo o la pared) deben instalarse con una distancia de separación mínima de 1 metro entre los puntos más cercanos.
- Los accesorios de succión dobles deben colocarse de tal forma y a la distancia correcta para que un usuario no pueda bloquear ambos.
- Los accesorios de succión dobles no deben colocarse en zonas para sentarse o en los respaldos de dichas zonas para sentarse.
- La tasa máxima de flujo del sistema no deberá exceder la tasa de flujo que se indica en la página 7.
- No utilice bajo ninguna circunstancia la piscina o el spa si detecta que algún componente de la toma de succión falta, está dañado, roto, rajado o suelto.
- Sustituya de inmediato los componentes de la toma de succión que falten o estén dañados, rotos, rajados o sueltos.
- Además, debe haber instaladas dos o más tomas de succión por bomba en virtud de las últimas normas ASME, APSP y las pautas de la CPSC (Comisión para la Seguridad de los Productos del Consumidor de EE. UU.), así como las normas nacionales, regionales y locales aplicables.
- Se recomienda la instalación de un sistema de ventilación o neutralización de vacío que atenúe la succión que puede causar un atrapamiento.

**⚠ ADVERTENCIA: No retirar los tapones de prueba de presión o los tapones utilizados durante el invierno de las tomas de succión de la piscina o spa puede aumentar el riesgo de atrapamiento por succión tal y como se indica anteriormente.**

**⚠ ADVERTENCIA: No mantener los componentes de las tomas de succión sin residuos como hojas, suciedad, cabello, papel u otros materiales puede aumentar el riesgo de atrapamiento por succión tal y como se indica anteriormente.**

**⚠ ADVERTENCIA: Los componentes de las tomas de succión tienen una vida útil determinada, la tapa y la rejilla deben revisarse con frecuencia y cambiarse como mínimo cada SIETE años o si se detecta que faltan, están dañados, rotos, rajados o sueltos.**

**⚠ PRECAUCIÓN: Los componentes como el sistema de filtrado, las bombas y el calentador deben colocarse de tal forma que los niños no puedan utilizarlos para acceder a la piscina.** Para reducir el riesgo de lesiones, no permita que los niños utilicen o se suban a este producto. Vigile con atención a los niños en todo momento. Los componentes como el sistema de filtrado, las bombas y los calentadores deben colocarse de tal forma que los niños no puedan utilizarlos para acceder a la piscina.



**⚠ ADVERTENCIA: Presión peligrosa.** Los sistemas de circulación alcanzan presiones peligrosas durante la puesta en marcha, el funcionamiento normal y tras el apagado de la bomba. Manténgase alejado del equipo del sistema de circulación durante la puesta en marcha de la bomba. Si no se siguen las instrucciones de funcionamiento y seguridad, el armazón y la tapa de la bomba y la carcasa y la abrazadera del filtro podrían separarse de forma violenta debido a la presión del sistema, lo que podría causar daños materiales, lesiones corporales graves o incluso la muerte. Antes de revisar el sistema de circulación de agua de la piscina y spa, debe comprobar que todos los controles del sistema y de la bomba estén desconectados y la válvula de seguridad manual abierta. Antes de poner en marcha la bomba del sistema, todas las válvulas de este deben estar en una posición que permita al agua volver a la piscina. No cambie la posición de la válvula de control del filtro mientras la bomba esté en funcionamiento. Antes de encender la bomba del sistema, abra totalmente la válvula manual de seguridad. No cierre la válvula manual de seguridad hasta que salga un chorro continuo de agua (no de aire o de agua y aire).

**⚠ ADVERTENCIA: Peligro de separación.** Si no se siguen las instrucciones de funcionamiento y seguridad, los componentes de la bomba o el filtro podrían separarse de forma violenta debido a la presión. La tapa del colador debe fijarse correctamente al armazón de la bomba con la anilla de seguridad de la tapa del colador. Antes de revisar el sistema de circulación de la piscina y spa, debe abrirse la válvula de seguridad manual de los filtros. No active el sistema de circulación de la piscina y spa si observa que falta algún componente o no está correctamente montado o presenta daños. No active el sistema de circulación de la piscina y spa si la válvula manual de seguridad de la parte superior del filtro no está bloqueada. **Nunca active ni pruebe el sistema de circulación a más de 344 kPa. No purgue el sistema con aire comprimido.** La purga del sistema con aire comprimido puede provocar la explosión de los componentes, lo que supone un riesgo de lesiones graves o de muerte a las personas que se encuentren cerca. Utilice únicamente un soplador de gran volumen a baja presión (por debajo de 34 kPa) al purgar el aire de la bomba, el filtro o las tuberías.



**⚠ ADVERTENCIA: Riesgo de descarga eléctrica.** Todo el cableado eléctrico DEBE cumplir las normativas y reglas locales así como el NEC (Código Eléctrico Nacional de EE. UU.). Un voltaje peligroso puede provocar descargas, quemaduras y la muerte o daños materiales graves. Para reducir el riesgo de descarga eléctrica, NO use un alargador para conectar la unidad a la red eléctrica. Utilice una tomacorriente que esté bien situada. Antes de trabajar en cualquier equipo eléctrico, desconecte la electricidad del mismo. Para reducir el riesgo de descarga eléctrica, sustituya los cables dañados de inmediato. Coloque los cables de tal forma que los cortacéspedes, los cortasetos eléctricos y otro tipo de equipos no los dañen. NO conecte a tierra en una tubería de suministro de gas.

**⚠️ ADVERTENCIA: Riesgo de descarga eléctrica.** No conectar a tierra todo el equipo eléctrico puede suponer un peligro mortal de descarga eléctrica. Conecte a tierra todo el equipo eléctrico antes de conectarlo a la red de suministro eléctrico.

**⚠️ ADVERTENCIA: Riesgo de descarga eléctrica.** No conectar equipotencialmente todo el equipo eléctrico a la estructura de la piscina aumentará el riesgo de electrocución y podría provocar lesiones o la muerte. Para reducir el riesgo de descarga eléctrica, consulte las instrucciones de instalación y acuda a un electricista profesional para ver cómo conectar equipotencialmente todo el equipo eléctrico. Asimismo, póngase en contacto con un electricista autorizado para informarse sobre las normas eléctricas locales para ver los requisitos de conexión equipotencial.

**Notas para el electricista:** Utilice un conductor de cobre de calibre 8 o superior. Pase un cable continuo desde la terminal de conexión equipotencial externa hasta la varilla o malla de refuerzo. Conecte un cable de cobre de conexión equipotencial AWG n.º 8 (8,4 mm<sup>2</sup>) [AWG n.º 6 (13,3 mm<sup>2</sup>) al conector del cable de presión del equipo eléctrico y a todas las partes metálicas de la piscina, spa o jacuzzi, a las tuberías (excepto las de gas) y conductos de metal a una altura de 1,5 m como máximo en el interior de la pared de la piscina, spa o jacuzzi.

**IMPORTANTE:** Consulte los códigos NEC para las normas sobre cableado, incluida de forma enunciativa pero no limitativa la conexión a tierra, conexión equipotencial y otros procesos de cableado habituales.



**⚠️ ADVERTENCIA: Riesgo de descarga eléctrica.** El equipo eléctrico debe conectarse únicamente a un circuito de suministro que disponga de un interruptor de circuito por falla a tierra. El instalador debe facilitar dicho interruptor y debe probarse con frecuencia. Para probarlo, pulse el botón de prueba. Debería desconectarse la corriente. Pulse el botón de restablecimiento. Debería restablecerse la corriente. Si el interruptor de circuito por falla a tierra no funciona de esta forma, es que es defectuoso. Si el interruptor interrumpe la corriente sin que se haya pulsado el botón de prueba, hay una corriente a tierra, lo que indica la posibilidad de una descarga eléctrica. En este caso, no use el equipo eléctrico. Desconéctelo y solicite la ayuda de un técnico de mantenimiento autorizado para resolverlo antes de volver a utilizarlo.



**PRECAUCIÓN:** Las bombas Waterco se han diseñado para ser utilizadas en piscinas fijas y pueden utilizarse en jacuzzis y spas si así lo indican. No utilizar en piscinas desmontables. Una piscina fija se construye a ras de suelo, sobre el terreno o en un edificio y no se puede desmontar para guardarla. Una piscina desmontable se puede desmontar fácilmente para guardarla y volver a montarla.

**⚠ ADVERTENCIA: Riesgo de hipertermia.** La Comisión para la Seguridad de los Productos del Consumidor de EE. UU. recomienda las siguientes «normas de seguridad para jacuzzis» para evitar la hipertermia.

1. La temperatura del agua del spa o el jacuzzi nunca debe superar los 38°C, que se considera una temperatura segura para un adulto sano. Se debe tener especial cuidado con los niños pequeños. La inmersión prolongada en agua caliente puede provocar hipertermia.
2. El consumo de alcohol antes o durante una sesión de spa o jacuzzi puede causar somnolencia, lo que podría llevar a la pérdida de conocimiento y, por tanto, producirse un ahogamiento.
3. Las mujeres embarazadas deben tener cuidado. Bañarse en un agua con una temperatura superior a los 38°C puede provocar daños fetales durante el primer trimestre de embarazo (daños cerebrales o malformaciones). Las embarazadas deben seguir la norma de los 38°C como máximo.
4. Antes de entrar en el spa o el jacuzzi, el usuario debe comprobar la temperatura del agua con un termómetro preciso. Los termostatos del spa o el jacuzzi pueden presentar un margen de error de 2,2 °C al regular la temperatura del agua.
5. Las personas que tomen fármacos que provoquen somnolencia, como tranquilizantes, antihistamínicos o anticoagulantes no deben bañarse en un spa o jacuzzi.
6. Si la piscina o spa se utiliza con fines terapéuticos, debe hacerse con el asesoramiento de un facultativo. Agite el agua de la piscina o spa antes de entrar para mezclar las capas superficiales más calientes que pueda haber y que puedan superar los límites saludables de temperatura y causar lesiones. No altere los controles, ya que esto puede causar que se caliente mucho el agua si los controles de seguridad no funcionan bien.
7. Las personas con problemas cardíacos, circulatorios, diabetes o de tensión arterial deben consultar a un facultativo antes de utilizar un spa o jacuzzi.
8. La hipertemia sucede cuando la temperatura interna del cuerpo supera en varios grados la temperatura habitual del mismo (37 °C). Los síntomas de hipertermia incluyen: somnolencia, letargo, mareo, desmayos y un aumento de la temperatura interna del cuerpo.



**Los efectos de la hipertermia incluyen:**

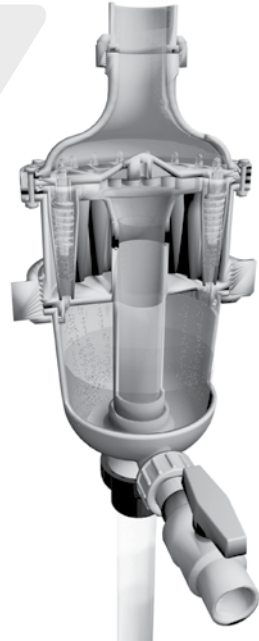
1. Incapacidad de detectar un peligro inminente.
2. Incapacidad de percibir el calor.
3. Incapacidad de reconocer la necesidad de salir del spa.
4. Incapacidad física de salir del spa.
5. Daños fetales en mujeres embarazadas.
6. Pérdida del conocimiento que puede provocar un ahogamiento.

**CONSERVE ESTAS INSTRUCCIONES**

## MULTICYCLONE

MultiCyclone es un fantástico dispositivo de prefiltración que puede ahorrar agua y minimizar el mantenimiento del filtro de la piscina. Basándose en los principios de la filtración centrífuga del agua, MultiCyclone filtra hasta el 80 % de la carga de suciedad de la piscina antes de que llegue al filtro de la piscina y solo requiere 15 litros de agua para su limpieza.

- Mantenimiento mínimo del filtro y ahorro de agua.
- Sin necesidad de tener que limpiar o reemplazar los medios del filtro.
- Múltiples hidrociclones.
- Apto para instalaciones nuevas y ya existentes.



### Filtración de agua centrífuga

El agua entrante penetra tangencialmente en los hidrociclones generando un fuerte efecto centrífugo. Aproximadamente el 80 % de la carga de suciedad entrante baja en espiral a su cámara de sedimentos transparente. El agua saliente se canaliza hacia el filtro de pulido a través del sistema de filtración de la piscina.

### Mantenimiento sencillo

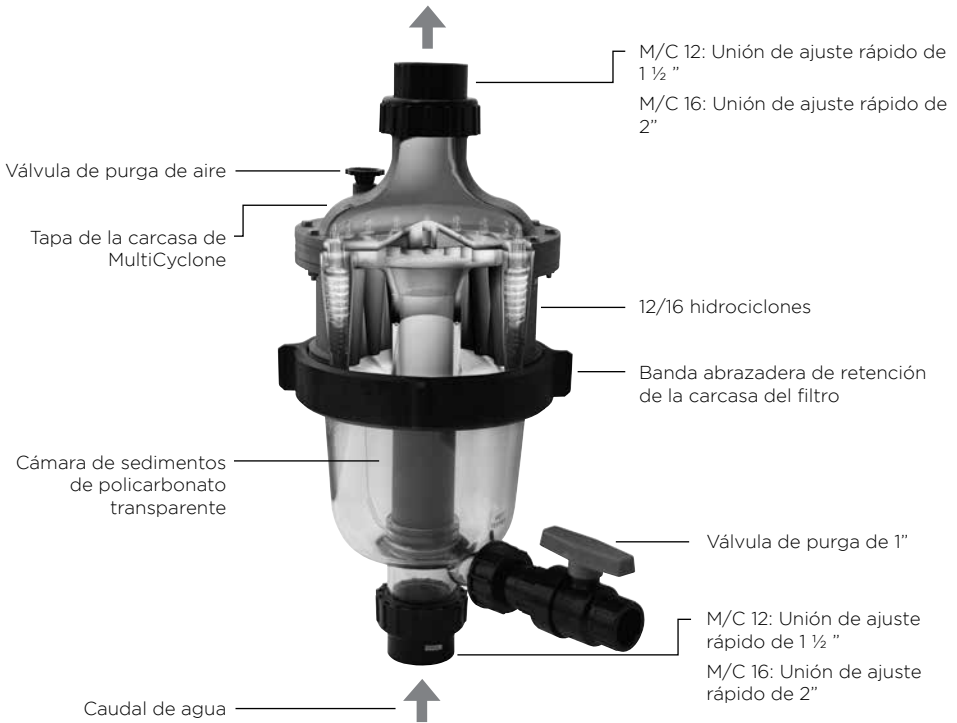
La cámara de sedimentos de MultiCyclone se limpia fácilmente abriendo la válvula de purga. Solo se vierten 15 litros de agua.

### Mínima frecuencia de retrolavado del filtro de arena

La instalación de MultiCyclone como prefiltro de un filtro de arena puede reducir su frecuencia de retrolavado a una vez al año, por lo que se ahorran hasta 7000 litros de agua al año para una piscina particular de tamaño medio.

### Mínima limpieza y reemplazo de los filtros de cartucho

La instalación de MultiCyclone como prefiltro de un filtro de cartucho puede reducir la limpieza y el reemplazo del filtro de cartucho a una vez por temporada de piscina e incluso hasta a una vez al año, dependiendo del tamaño del filtro de cartucho.

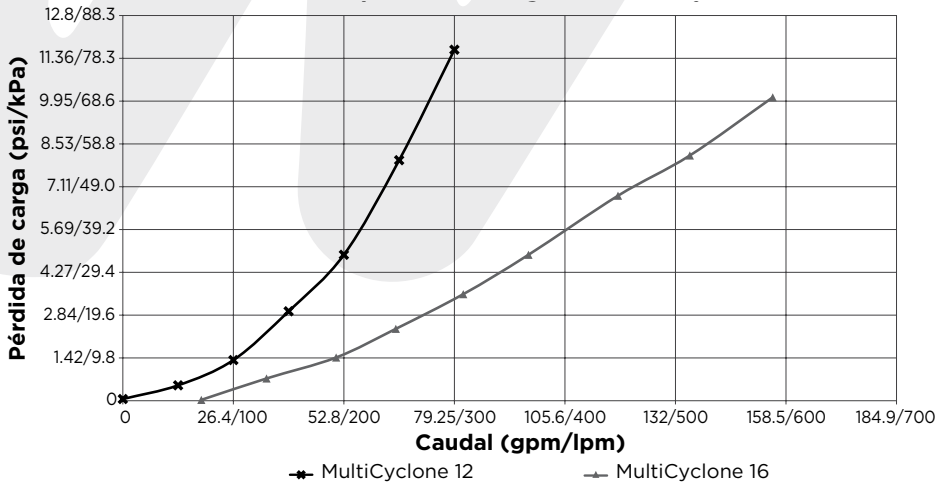


La acumulación de sedimentos puede controlarse visualmente a través de la cámara de sedimentos transparente de MultiCyclone. La cámara de sedimentos de MultiCyclone se limpia fácilmente abriendo la válvula de purga. Solo se descargan 15 litros de agua para limpiar de sedimentos el filtro MultiCyclone.

**Nota:** la sección centrífuga de MultiCyclone está diseñada para filtrar los sedimentos que son más pesados que el agua; los residuos flotantes no pueden filtrarse mediante filtración centrífuga.

Modelo	Puertos de conexión	Caudal mínimo	Caudal máximo	Presión máxima
MultiCyclone 12	Unión de ajuste rápido de 1 1/2"	11gpm	79gpm	50psi
MultiCyclone 16	Unión de ajuste rápido de 2"	13gpm	132gpm	50psi

## CURVA DE PÉRDIDA DE CARGA TOTAL MULTICYCLONE PLUS



## INSTALACIÓN

Asegúrese de que cumple con los códigos locales de instalación de tuberías.

Asegúrese de que todas las disposiciones en materia de eliminación de aguas residuales cumplen con los códigos locales, estatales o nacionales. No vierta agua donde pueda causar inundaciones o daños.

Si la presión del agua entrante es superior a la presión máxima de funcionamiento de 50 psi, debe instalarse una válvula reguladora de presión (VRP) antes de la entrada del filtro.

La VRP debe ajustarse al 90 % de la presión máxima de funcionamiento del depósito.

Si el caudal de agua entrante es menor que los requisitos de caudal mínimo del filtro, la eficacia de filtración del filtro se verá afectada. Consulte a Waterco al respecto.

## Instalación típica

1. Coloque el filtro tan cerca de la piscina/del spa como sea posible.
2. Coloque el filtro de forma que esté a salvo de inundación, alejado de sumideros, canaletas, huecos del jardín, etc.
3. Coloque el filtro de forma que las conexiones de tuberías, la válvula de purga de agua y la válvula de purga de aire sean cómodas y accesibles para su funcionamiento, mantenimiento e hibernación.
4. Asegúrese de que la etiqueta de cumplimiento esté cara arriba para facilitar la identificación.
5. El filtro debe colocarse en una losa de hormigón nivelada, un suelo muy firme o un equivalente. Asegúrese de que el suelo no se hundirá, evitando así esfuerzos de la tubería conectada.
6. Asegúrese de que no hay movimientos del filtro durante el funcionamiento de la válvula de purga de agua.
7. Deje una holgura suficiente alrededor del filtro para permitir la inspección visual de todo el sistema.

\*NOTE: DE FILTERS REQUIRE A BYPASS



Instalación típica con un filtro de arena



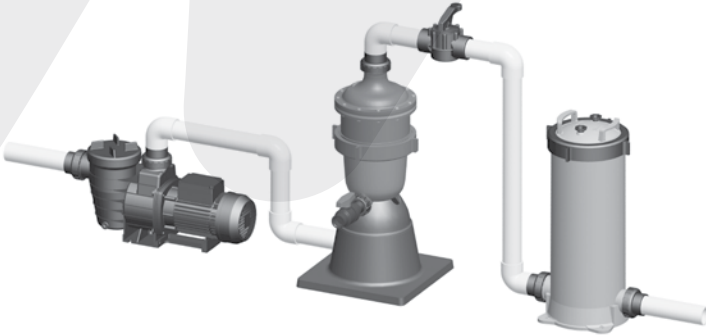
Instalación típica con un filtro de cartucho



Instalación habitual con un filtro de tierra de diatomeas

## Soporte de montaje opcional (200373)

También hay disponible un soporte de montaje opcional para situaciones en las que MultiCyclone no puede instalarse directamente sobre la bomba de la piscina.



Instalación con soporte de montaje opcional

## Sistema de tuberías

1. Compruebe que la presión del agua entrante está dentro de la presión de trabajo recomendada del filtro y asegúrese de que está instalada una válvula de limitación de presión si utiliza agua de la red o una bomba de alta presión.
2. Asegúrese de que está instalada una válvula de retención/de cierre si la bomba está instalada 500 mm/20" por encima del nivel de agua.
3. Si el filtro está instalado por debajo del nivel del agua o conectado al agua de la red, deben instalarse válvulas de aislamiento en la entrada y la salida del filtro. Esto evitará el flujo de agua durante cualquier mantenimiento de rutina.
4. Reduzca la longitud de la tubería y el número de empalmes para minimizar restricciones del caudal de agua.
5. Asegúrate de que todas las conexiones de tuberías estén bien encoladas y apretadas para evitar fugas.
6. Asegúrese de que no se apliquen en exceso disolventes a los empalmes, ya que podrían ir a parar a las juntas tóricas y crear problemas de sellado.
7. No apriete en exceso los empalmes o adaptadores.

Atornille las uniones de medio barril y los faldones suministrados en la entrada y salida antes de encolar la tubería de UPVC al filtro.

### **PRECAUCIÓN**

#### **Use solo el pegamento recomendado para la tubería de conexión y los empalmes**

Corte y ajuste la tubería y los empalmes en el MultiCyclone y la bomba. **Consulte** el manual de instalación de la bomba para conocer los procedimientos correctos de la instalación de tuberías de la bomba.

Lo **mejor** es colocar todas las tuberías y los empalmes cortados en el sistema de filtración antes de pegarlos; esto asegurará que el sistema **quede alineado** correctamente.

Pegue las tuberías y los empalmes en las líneas de retorno de la bomba, del filtro y de la piscina, y **deje** que el pegamento se fije **durante 24 horas** antes de poner el sistema en marcha.

### **Conexión de tuberías**

1. Asegúrese de que está instalada una válvula de retención/de cierre si la bomba está instalada 20" por encima del nivel de agua.
2. Si el filtro está instalado por debajo del nivel del agua o conectado al agua de la red, deben instalarse válvulas de aislamiento en la entrada y la salida del filtro. Esto evitará que pase el caudal de agua durante cualquier mantenimiento rutinario.
3. Reduzca la longitud de la tubería y el número de empalmes para minimizar restricciones del caudal de agua.
4. Conecte la tubería que va desde la salida de la bomba hasta la entrada del sistema MultiCyclone.

5. Conecte desde la tubería que va desde la salida del MultiCyclone hasta el siguiente componente alineado con el sistema de filtración.
6. Pegue todas las tuberías a los empalmes de unión de barril de acuerdo con las especificaciones de los fabricantes del pegamento (disolvente) y deje que transcurran 24 horas. Asegúrese de que no se aplica pegamento (disolvente) en exceso a los empalmes, ya que podría pasar a las juntas tóricas y provocar problemas de sellado.

**Nota:** Waterco recomienda que se instale una válvula de cierre después del sistema MultiCyclone en la línea de retorno de la piscina para ayudar a eliminar los residuos acumulados. Por favor, consulte el apartado «Presión de agua insuficiente».

7. Conecte al conducto de residuos. Pegue las tuberías de la válvula de purga de sedimentos a un conducto de residuos, desagüe o área de drenaje adecuado.
8. Encienda la bomba de la piscina. Asegúrese de comprobar que no hay fugas en los conectores. Si fuera necesario, apriételos manualmente.



## PROCEDIMIENTO DE ARRANQUE

El MultiCyclone es un sistema de filtración avanzado y altamente eficiente que funcionará durante años de sin problemas si se tienen en cuenta los siguientes procedimientos de mantenimiento.

Poner en marcha el sistema de filtración por primera vez o después de limpiarlo es exactamente igual.

1. Asegúrese de que las tuberías del MultiCyclone están correctamente instaladas.
2. Asegúrese de que todas las válvulas instaladas antes y después del MultiCyclone estén abiertas.
3. Afloje la válvula de purga de aire en la parte superior del filtro MultiCyclone.
4. Ceba la bomba de la piscina (consulte el manual de instalación y funcionamiento de la bomba).
5. Encienda la bomba de la piscina y deje que la bomba esté en marcha hasta que se haya expulsado todo el aire del MultiCyclone. El agua saldrá de la válvula de purga de aire.
6. Vuelva a apretar la válvula de purga de aire.
7. El filtro está cebado y listo para funcionar.

**Nota:** en algunos casos puede ser necesario hacerlo unas cuantas veces antes de que la unidad esté cebada y sea plenamente operativa.

### PRECAUCIÓN

**No se detenga sobre la parte superior del MultiCyclone mientras ajusta la válvula de purga de aire para purgar el sistema de aire.**

**Puede lesionarse si la válvula de purga de aire se afloja**

## **MANTENIMIENTO DEL FILTRO MULTICYCLONE**

El mantenimiento del filtro MultiCyclone Plus se rige por las siguientes condiciones:

1. La cámara de sedimentos está llena hasta la mitad con sedimentos. Esta acumulación de sedimentos puede controlarse visiblemente a través de la cámara de sedimentos transparente del MultiCyclone. El MultiCyclone se limpia fácilmente abriendo la válvula de purga. Solo se vierten 15 litros de agua para limpiar el MultiCyclone de sedimentos.

### **Limpie la cámara de sedimentos**

#### **Con la bomba en funcionamiento:**

Mientras la bomba de agua esté en marcha, abra la válvula de purga de sedimentos hasta que se hayan eliminado los sedimentos. Puede verlo a través de la cámara de sedimentos transparente. Una vez que se hayan eliminado los sedimentos, cierre la válvula de purga.

#### **Con la bomba parada:**

Como alternativa, apague la bomba. Abra la válvula de purga de aire y luego abra la válvula de purga de agua. Caerá agua a través del MultiCyclone eliminando la mayoría de residuos de la cámara de sedimentos. A continuación, cierre la válvula de purga de aire y encienda la bomba y la turbulencia del agua al entrar en la cámara de sedimentos eliminará el resto de los sedimentos. Una vez que se haya limpiado la cámara de sedimentos, cierre la válvula de purga, encienda la bomba y cierre la válvula de purga de aire cuando salga agua por ella.

## PRESIÓN INSUFICIENTE DEL AGUA

En situaciones en las que el caudal de agua de la bomba no es lo suficientemente potente como para eliminar los sedimentos de la cámara, Waterco recomienda instalar una válvula de dos vías después del MultiCyclone en la línea de retorno de agua de la piscina.

La válvula de dos vías se utiliza para reducir el caudal de agua del MultiCyclone, aumentando la turbulencia del agua a través de la cámara de sedimentos y mejorando su acción de purga.

Mientras la bomba está en funcionamiento, abra la válvula de purga, y luego cierre parcialmente la válvula de dos vías, reduciendo el caudal de agua lo suficiente para purgar la cámara de sedimentos y así eliminar los sedimentos atrapados. Una vez que la cámara de sedimentos esté limpia, abra la válvula de dos vías y luego cierre la válvula de purga.

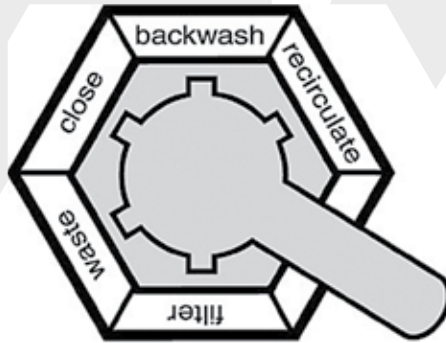


Instalación del filtro de cartucho con válvula de cierre de dos vías

### **⚠ PRECAUCIÓN**

**No cierre la válvula de dos vías antes de abrir la válvula de purga ni cierre la válvula de purga mientras la válvula de dos vías esté cerrada o parcialmente cerrada. Las válvulas no deben estar cerradas o parcialmente cerradas al mismo tiempo.**

Si el MultiCyclone se instala como prefiltro de un filtro de arena, el flujo de agua hacia el filtro de arena puede cerrarse a través de la válvula de múltiples salidas del filtro de arena.\*



**\*NOTA:** esta posición no está disponible en válvulas de múltiples salidas de 4 vías.

## GUÍA DE MANTENIMIENTO GENERAL

Para asegurar la máxima vida útil del MultiCyclone, siga los procedimientos que constan a continuación:

1. Controle visualmente a través de la cámara de sedimentos transparente del MultiCyclone. Limpie la cámara de sedimentos cuando vea que los sedimentos acumulados llegan hasta la mitad de la cámara.
2. Mantenga un equilibrio químico correcto del agua de su piscina/spa. El equilibrio químico del agua es una relación entre su pH, la alcalinidad total, la dureza de calcio y la temperatura del agua. El agua debe mantenerse en todo momento como sigue:

NIVEL DE PH	: ENTRE 7,2 y 7,8.
ALCALINIDAD TOTAL	: ENTRE 80 y 150 ppm.
DUREZA DE CALCIO	: ENTRE 150 y 300 ppm.

Además, dentro de estas tolerancias debe estar equilibrada según el índice de saturación Langelier dentro de un rango de -0,2 a +0,2.

**Nota:** hay disponibles kits de prueba para probar el agua usted mismo o, de manera alternativa, llevar una muestra del agua a una tienda especializada en piscinas y spas.

3. Los suministros de agua de la red y de agua rural deben estar controlados. La saturación (vida) en agua de la red o la ola (agua rural) variará dependiendo de la calidad del agua.
4. Para evitar daños en la bomba y en el filtro y para que el sistema funcione adecuadamente, limpie el depurador de la bomba y las cestas espumadoras regularmente.
5. Sustituya el manómetro si se observan lecturas defectuosas.

# HIBERNACIÓN

Deben llevarse a cabo procedimientos de hibernación adecuados para proteger el filtro en climas fríos (temperaturas por debajo del punto de congelación).

1. Desconecte la bomba/cierre la válvula de entrada.
2. Open the air release valve and open the purge vale to allow water to flow out of the MultiCyclone.
  - a. Filtro de arena: mueva el mando de la válvula de múltiples salidas a la posición de hibernación (entre Filtrar y Desechar).
  - b. Filtro de cartucho: abra la válvula de purga de aire. Esto permitirá que el aire pase a través de todas las salidas.
3. Retire cualquier tapón de drenaje de la bomba.
4. Drene el agua de las tuberías.

# GUÍA DE SOLUCIÓN DE PROBLEMAS

Síntomas	Posibles problemas/soluciones
El agua no es transparente.	Nivel de desinfectante insuficiente.
	Química de piscina incorrecta.
	Mucha gente bañándose o cargas de suciedad elevadas.
	Caudal incorrecto.
	Tiempo en marcha insuficiente. (Aumente el tiempo de funcionamiento de la bomba.)
	El filtro está sucio. (Limpie siguiendo las instrucciones.)
	Agujero en el elemento del filtro.
	Fuga de aire en la línea de succión.
	Álabes del impulsor de la bomba bloqueados.
	Otras restricciones incluyen (limpiadores de succión de piscinas) la resistencia desde otros equipos en línea como depuradores.
Bomba no cebada.	
Caudal de agua bajo	Revise las cestas de los depuradores para ver si hay residuos.
	Compruebe si hay fugas de aire en la línea de succión.
	Compruebe si hay restricciones o bloqueos en las líneas de succión o de retorno.
	Tiene que limpiarse o reemplazarse el filtro del sistema.
	El nivel de agua de la piscina es demasiado bajo.
	Bomba no cebada.
	Álabes del impulsor de la bomba bloqueados.
Cestas de los depuradores que no se utilizan o no se limpian regularmente.	
La bomba funciona a baja velocidad (bajo voltaje).	
Ciclos de filtración cortos	Presencia de algas, compruebe el contenido de desinfectante.
	Compruebe el pH y la alcalinidad total.
	La salida de la bomba excede el caudal de diseño del filtro: compruebe el rendimiento de la bomba.
	Limpieza ineficaz: compruebe las condiciones de la cámara de sedimentos.
Presión elevada en la puesta en marcha	Globo pequeño montado en la piscina/el spa.
	Válvula parcialmente cerrada en la línea de retorno.
	Bomba demasiado grande, compruebe la selección.

## **GARANTÍA**

MultiCyclone está cubierto por una garantía de 2 años y. Las instalaciones comerciales están cubiertas por una garantía de 1 año.

Consulte los términos y condiciones de la garantía de Waterco.

## OFFICES - NORTH AMERICA

WATERCO (USA) INC  
Augusta, Georgia, USA  
Tel: +1 706 793 7291

WATERCO CANADA  
Boucherville, Quebec, Canada  
Tel: +1 450 748 1421

## OFFICES - OVERSEAS

NSW - SYDNEY  
(HEAD OFFICE)  
Tel: +61 2 9898 8600

WATERCO (EUROPE) LIMITED  
Sittingbourne, Kent, UK  
Tel: +44 (0) 1795 521 733

WATERCO (NZ) LIMITED  
Auckland, New Zealand  
Tel: +64 9 525 7570

WATERCO © LIMITED  
Guangzhou, China  
Tel: +86 20 3222 2180

WATERCO (FAR EAST) SDN BHD  
Selangor, Malaysia  
Tel: +60 3 6145 6000

PT WATERCO INDONESIA  
Jakarta, Indonesia  
Tel: +62 21 4585 1481

WATERCO SINGAPORE INTL PTE LTD  
Nehsons Building, Singapore  
Tel: +65 6344 2378

## [www.waterco.com](http://www.waterco.com)

This web site address will enable you to select the appropriate country website.  
Cette adresse Web vous permettra de sélectionner le site Web du pays concerné  
Este sitio web le permitirá seleccionar el sitio web adecuado para su país.

\* Reference to MultiCyclone 16 Only.

# WATERCO

Waterco Limited ABN 62 002 070 733

