



# FREEFLO™

## HIGH PERFORMANCE PUMPS

### THE PERFECT CHOICE FOR ALL TYPES OF POOLS

The FreeFlo was specifically designed to be your best choice for a variety of above-ground and small in-ground pool applications. Thick walled body parts, a heavy duty motor, and highly engineered hydraulics make this rugged and tested design perfect for any pool. The new FreeFlo is a mono-block design allowing it to run more silent and requiring less footprint space. FreeFlo is a drop in replacement for the Swimmy Pump series.

### KEY FEATURES:

- Self priming pump with prefilter for swimming pools
- Mono Block design for silent operation
- Single Piece, see-through Cam and Ramp™ lid for inspection of strainer basket and easy cleaning and maintenance access
- Large long life HDPE basket to hold debris, easy to clean
- Heavy duty, thermally protected TEFC (TEFC : Totally Enclosed Fan Covered) motor IP55
- 50mm ID (ID is Inner Diameter) Swivel unions for better sealing and more flexibility at installations
- Discharge is 90° rotatable

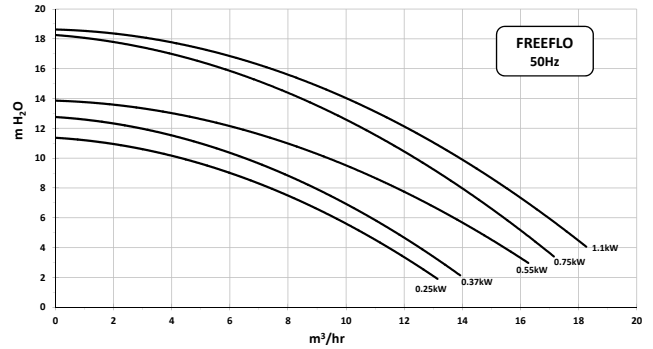


# FREEFLO™

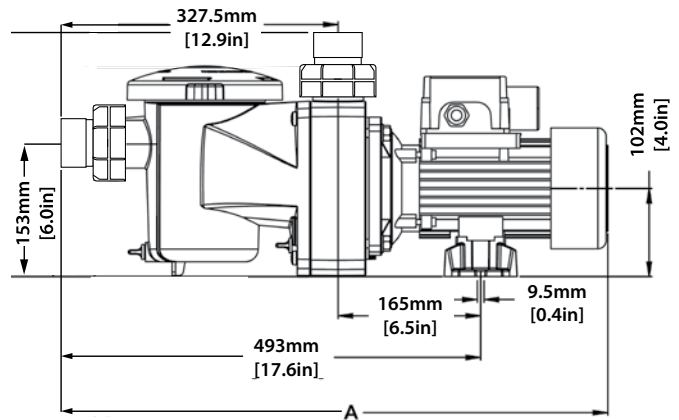
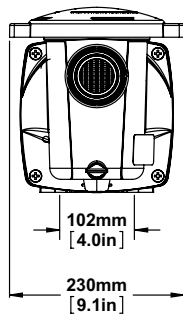
## HIGH PERFORMANCE PUMPS



| MODEL   | kW    | HP  | VOLT     | PHASE |
|---------|-------|-----|----------|-------|
| FFL-031 | 0.25  | 1/3 | 220-240V | 1~    |
| FFL-051 | 0.375 | 1/2 | 220-240V | 1~    |
| FFL-071 | 0.55  | 3/4 | 220-240V | 1~    |
| FFL-101 | 0.75  | 1   | 220-240V | 1~    |
| FFL-151 | 1.10  | 1.5 | 220-240V | 1~    |



3-year limited warranty



AVAILABLE FROM:

poolemea@pentair.com  
www.pentairpooleurope.com

Copyright - Limited License: except as specifically permitted herein, no portion of the content on this document may be reproduced in any form or by any mean without the prior written permission of Pentair International SRL

Automation / Filters / Filter Systems / Pumps / Heat Pumps / Cleaners / White Goods / Lighting / Sanitizers / Salt Chlorinators / Dosing and Measuring Equipment / Maintenance Accessories / Water Features

NVA-BR-FFL-EN © 2013 Pentair International SRL. All Rights Reserved. Rev. 09-2013.

