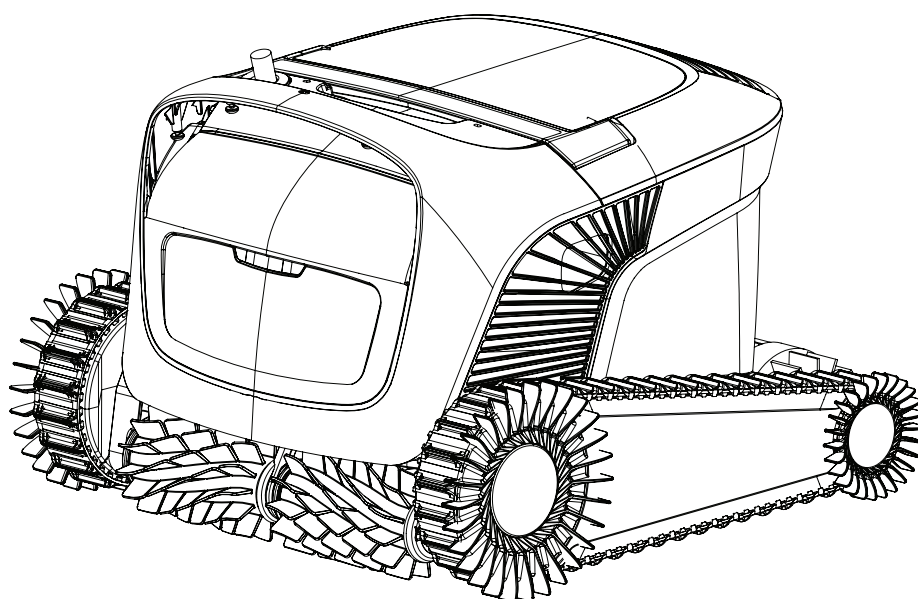


Maytronics Dolphin robotic pool cleaner

EN

User Instructions



Wave 90i

Robotic Pool Cleaner

User Instructions

Contents

1. Introduction	2
2. Specifications	2
3. Warnings and cautions.....	2
3.1 Water conditions	3
4. Robotic pool cleaner Parts.....	4
5. Using the robotic pool cleaner	5
5.1 Setup.....	5
5.2 Placing the robotic pool cleaner into the pool.....	6
5.3 Plug in the power supply.....	6
5.4 Operating the robotic pool cleaner without using your smart device	7
5.5 Using the power supply	7
5.6 Robotic pool cleaner indicator lights	7
5.7 Removing the robotic pool cleaner from the pool	8
6. Care and Maintenance	9
6.1 Cleaning after use - Removing and cleaning the dual filter basket.....	9
6.2 Periodic filter cleaning.....	10
6.3 Cleaning the impeller.....	11
6.4 Periodic general maintenance - Recommended at least once a week.....	12
7. Off-Season Storage.....	12
8. How to use the remote control.....	13
8.1 Getting started with the remote control.....	14
8.2 Programmable mode.....	14
8.3 Manual drive mode	14
9. Advanced features	15
10. MyDolphin™ Plus app operation	16
10.1 Getting started with the MyDolphin™ Plus app.....	16
10.2 Prepare the pool cleaner for connection	16
10.3 Activate the pool cleaner using your mobile smart device.....	16
11. Power supply LED lights.....	17
12. Power supply - Troubleshooting.....	18
13. MyDolphin™ Plus - Troubleshooting	19
14. Robotic pool cleaner - Troubleshooting	20

1. INTRODUCTION

Thank you for purchasing a Maytronics robotic pool cleaner.

We are sure that your Maytronics robotic pool cleaner will provide you with reliable, convenient and cost effective pool cleaning. Its reliable filtration in all pool conditions and all-surface climbing brush enhance maximum pool hygiene.

The robotic pool cleaners by Maytronics deliver advanced cleaning technology, long lasting performance and easy maintenance.

2. SPECIFICATIONS

Robot

Motor protection: IP68

Minimum depth: 0.4 m (1.33 ft)

Maximum depth: 5 m (16.4 ft)

Digital switch-mode power supply

IP54

Input: 100 VAC to 250 VAC, 50 Hz to 60 Hz, 180 W

Output: <30 VDC

Bluetooth® max output < 5.8mW

Wi-Fi® max output < 76mW - Frequency 2.4MHz

3. WARNINGS AND CAUTIONS

IMPORTANT SAFETY INSTRUCTIONS

READ AND FOLLOW ALL INSTRUCTIONS

Please adhere strictly to the following WARNINGS:



Take the robotic pool cleaner out of the pool before allowing people to enter the pool.



When examining the robotic pool cleaner, disconnect the main power supply.



Ensure that children do not attempt to access the robotic pool cleaner while it is operating. Keep the robotic pool cleaner out of the reach of children or persons with reduced physical, sensory or mental capabilities, or lack of experience and knowledge, unless they have been given supervision or instruction.



Only an original power cord must be used, at all times. If damaged, it must be replaced by a robotic pool cleaner certified technician to avoid hazards. certified technician, in case of need to avoid hazard.



To reduce the risk of electric shock replace damaged cord immediately.



Do not use an extension cord to connect the robot to the outlet; provide a properly located outlet.



The power supply must be supplied through a residual current device (RCD) having a rated residual operating current not exceeding 30mA.

For USA/Canada installations:

The power supply must be connected only to a supply circuit that is protected by a ground fault circuit interrupter (GFCI). This GFCI should be tested on a routine basis.

To test the GFCI, push the test button. The GFCI should interrupt power. Push the reset button.

Power should be restored. If the GFCI fails to operate in this manner, the GFCI is defective.

If the GFCI interrupts power to the power supply without the test button being pushed, a ground current may be flowing, indicating the possibility of an electric shock. Do not use the power supply. Disconnect the power supply and contact the manufacturer for assistance.

Please ensure that the following PRECAUTIONS are implemented:



Operator should keep hands away from driving belt mechanism.
Unplug the power unit before maintaining.



Only a trained operator should operate the robotic pool cleaner.



Position the Caddy and power supply at least 3.5 m (12 ft) from pool's edge – during operation.



For continued protection against possible electric shock, the power supply unit should be placed at least 11 cm (4 in) above ground.



When lifting the robotic pool cleaner, take care to prevent back injury.



Do not bury cord - locate cord to minimize damage from lawn mowers, hedge trimmers and other equipment.



Do not use the robotic pool cleaner if you have added liquid flocculant or any other clarifier to the pool water. These substances obstruct and damage the robot's filters.

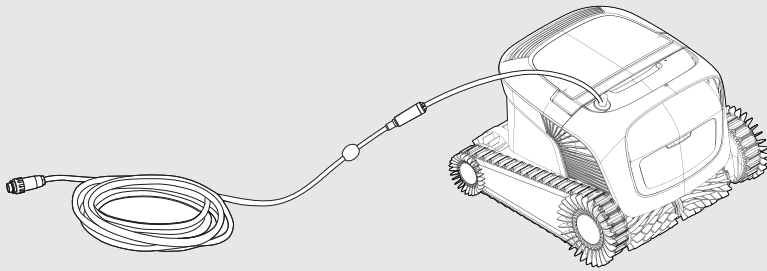
3.1 Water Conditions

Use the robotic pool cleaner in the following water conditions:

Chlorine	4 ppm max
pH	7.0 - 7.8
Temperature	6 °C to 35 °C (43 °F to 95 °F). Below 15 °C (59 °F), climbing performance may be affected
NaCl	5000 ppm max

4. ROBOTIC POOL CLEANER PARTS

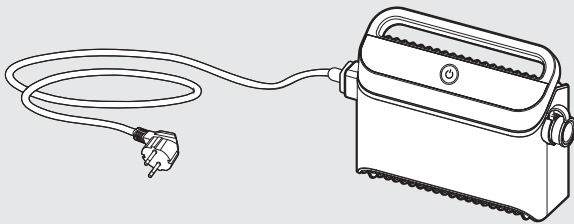
▶ Robotic Pool Cleaner



Remote Control unit



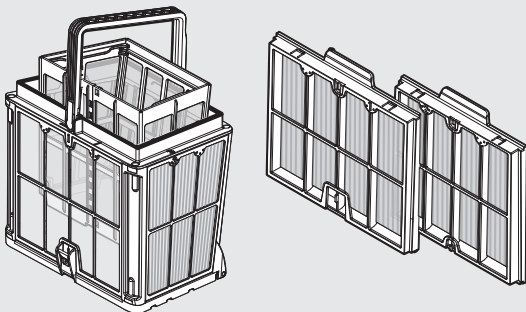
▶ Power supply



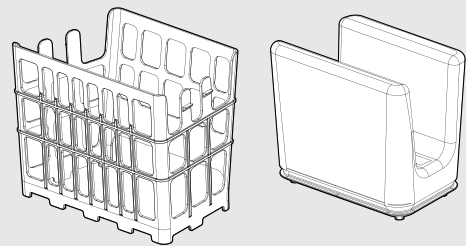
The power supply unit is designed to be resistant to rain but it is not sealed from moisture. Like any other electrical device, we recommend covering it during wet seasons.

▶ Filtration

Start the season with the net filters for large debris then use ultra-fine filters for daily use.

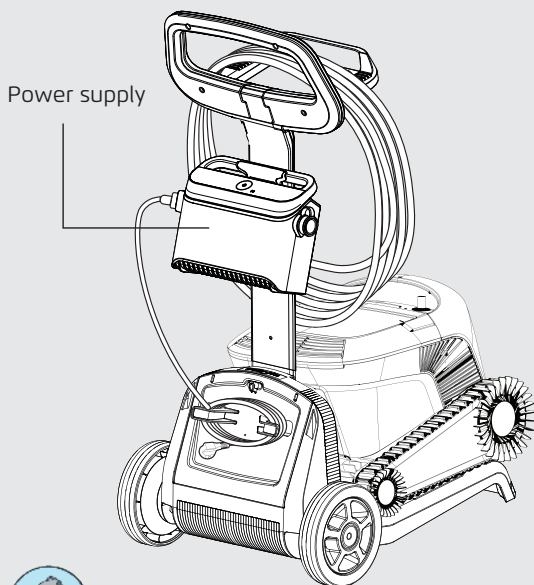


* The filter panels are assembled on the filter basket.



* The filter bag fits inside the basket.

▶ Caddy



Caddy Cover protects the robot from the sun

If you have a filter bag, scan the QR code to see how to clean it.



If you have filter basket panels:

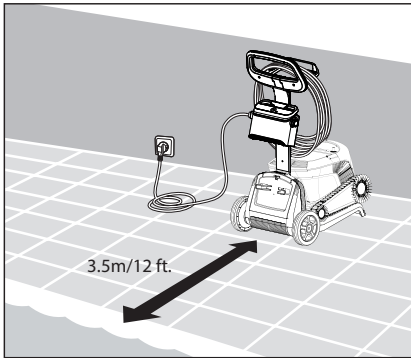
When the pool is very dirty, it is best to use the fine panels because ultra-fine panels tend to get clogged more quickly. After the first cleaning, we recommend using a combination of fine and ultra-fine panels.

Be sure to rinse the filter immediately after removing the robot from the pool. Once debris dries on the filter, it tends to be very hard to remove.

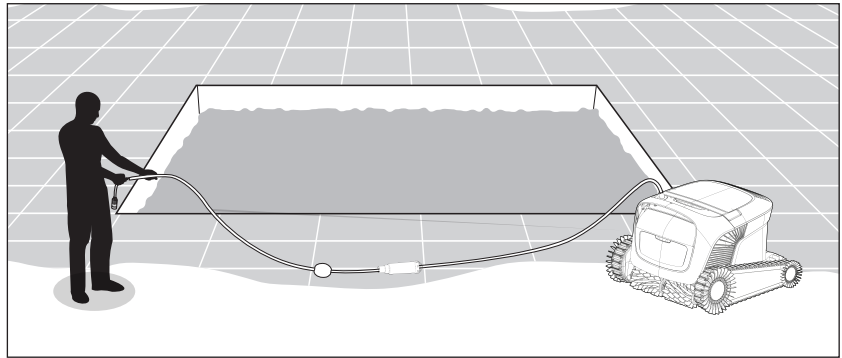
Filter options are available online or from your local distributor.

5. USING THE ROBOTIC POOL CLEANER

5.1 Setup



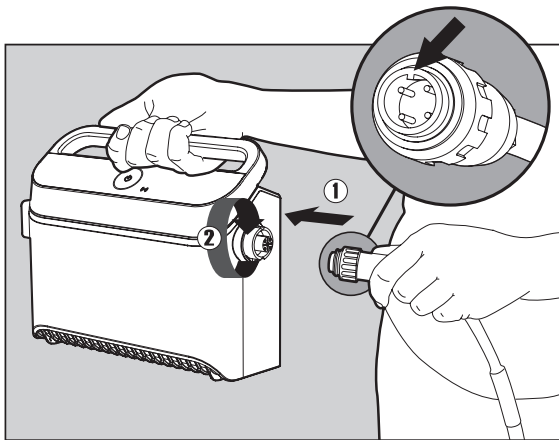
5.1.1 Position the power supply at approximately the middle of the long side of the pool, at least at a distance of 3.5 m (12 ft).



5.1.2 Unwind the cable to ensure that it has no kinks.



It is crucial that the power supply doesn't fall into the water and is kept 11cm/4" above the ground.



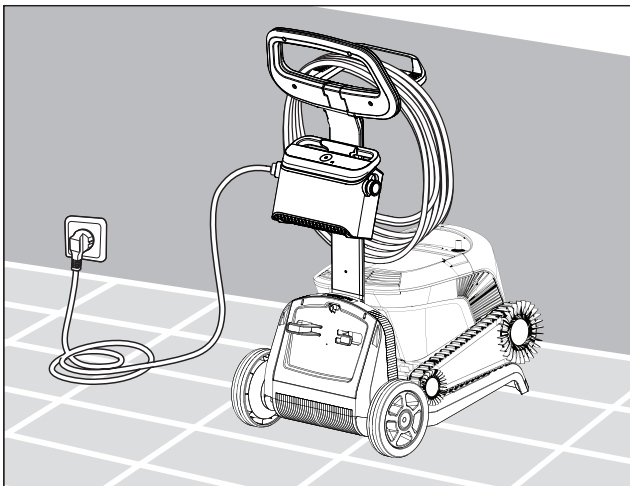
5.1.3 Attach the blue cable to the power supply: Insert the cable with the notch on the connector (1), lined up with the groove in the socket on the power supply, and turn clockwise (2).

5.2 Placing the robotic pool cleaner into the pool



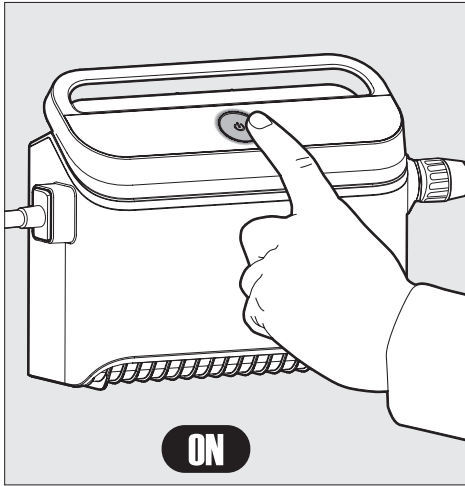
5.2.1 Place the robotic pool cleaner in the pool. Release it and let it sink to the floor of the pool. Make sure that the blue cable is free of any obstacles.

5.3 Plug in the power supply



5.3.1 Hang the power supply on the Caddy adaptor for power supply and plug it into the wall outlet.

5.4 Operating the robotic pool cleaner without using your smart device



Press the power button to turn the robot ON. If the robotic pool cleaner is in the water, it will now operate until it has reached the end of the cleaning cycle.

NOTE: Pressing the power button for more than 5 seconds will trigger the weekly timer every 2nd day. You can use this to allow debris enough time to settle to the pool floor before the robot starts its cleaning cycle.

5.5 Using the power supply

Your power supply is designed to provide you with the most advanced features to improve your experience.

- A single ON/OFF button for an easy operation.
- LED indicators for the advanced features.

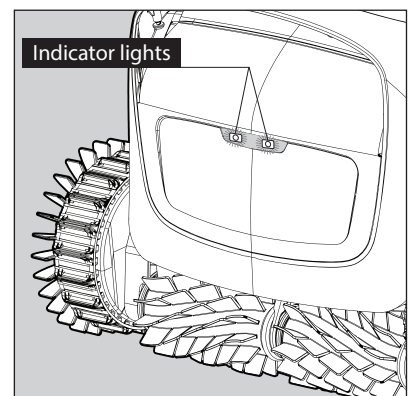


LED indications table:

Lights display	Meaning
Blue circle Blinks 4 times	Occurs after connecting the power-supply to the power outlet
Blue connectivity light is consistent	Bluetooth® connected
Green and Blue connectivity lights blink alternately	Pairing process is ongoing
Green connectivity light is on	Wi-Fi® connected to home network

5.6 Robotic pool cleaner indicator lights

Light	Indication
Blue blinking	Normal operation of the robotic pool cleaner
Green blinking	Remote control or Smartphone communicate with the robotic pool cleaner
Red constant	Robot error. Check the Troubleshooting section for solutions If none of the solutions solve the issue, contact your dealer to check the robotic pool cleaner



5.6.1 Indicator lights

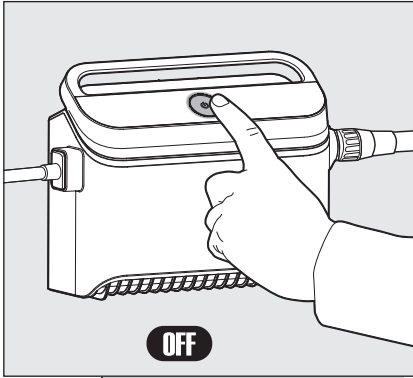
5.7 Removing the robotic pool cleaner from the pool

Option A

The easiest and most fun way to get the robot out of the water:

1. Log into the **MyDolphin™ Plus** app and click "Pick-up mode".
2. The robot will reach the wall closest to it and will climb to the water surface.
3. Grab the robot by the handle and pull it out the water.

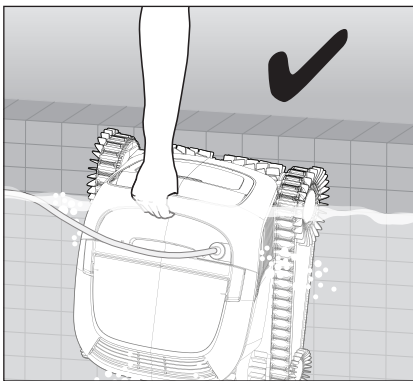
Option B



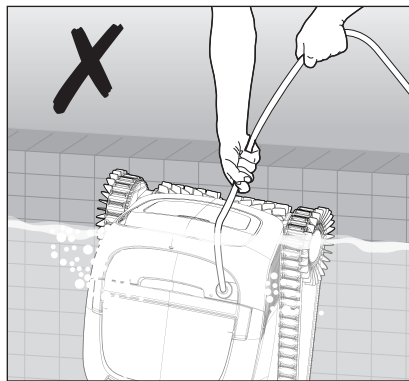
5.7.1



Turn OFF the power supply.



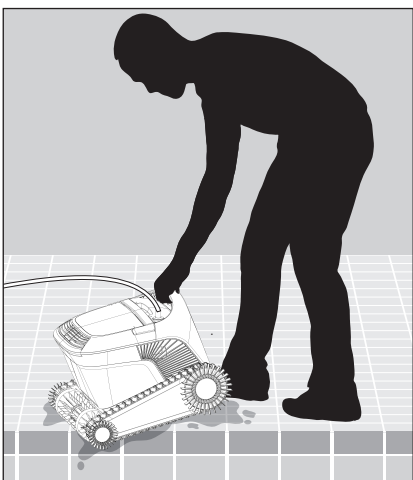
5.7.2



Use the cable to pull the robotic pool cleaner to the side of the pool. Use the handle to remove the robot from the pool.



Please use the cable to pull the robot to the surface, then use the handle.



5.7.3

Place the robotic pool cleaner on the edge of the pool and let the water drain out before lifting.

6. CARE AND MAINTENANCE

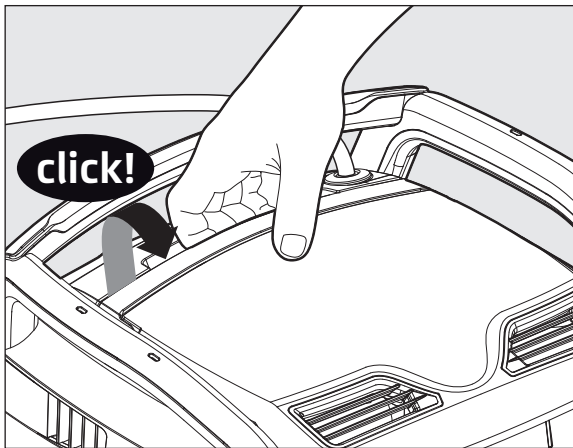
 **Make sure the power supply is switched off.**

To prevent debris permanently hardening on the filter, we highly recommend quick-rinsing the filter immediately after removing the robot from the pool.

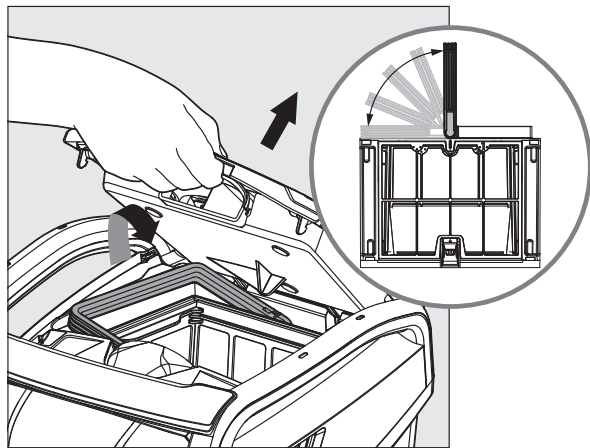
Note: Do not let the filter panels dry out before cleaning.

6.1 Cleaning After Use

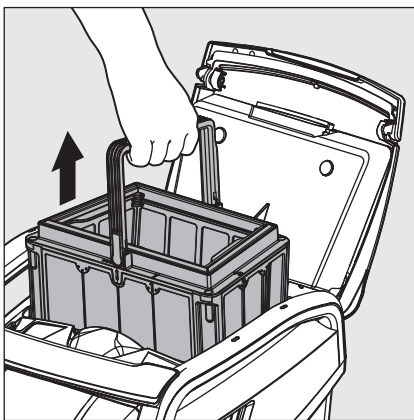
Filter basket - If the robot came with a filter basket:



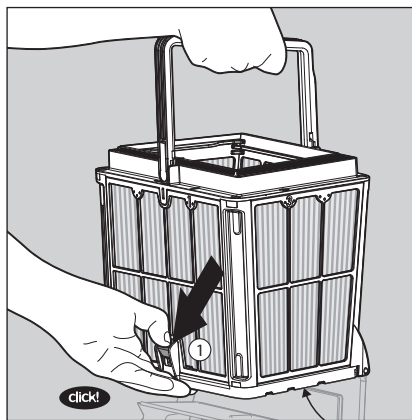
6.1.1 Open the filter cover.



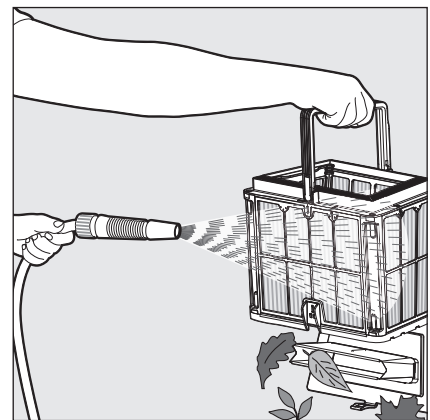
6.1.2 Upon opening the filter cover, the handle will lift independently.



6.1.3 Lift the basket.



6.1.4 Open the latch to release the bottom lid.



6.1.5 Clean the filter basket with a hose.

Filter bag - If the robot came with a filter bag:

1. Open the filter lid.
2. Lift the basket.
3. Open the zipper.
4. Turn upside down, shake loose debris and rinse with a hose.
5. For a quick how-to video, please scan the QR code.

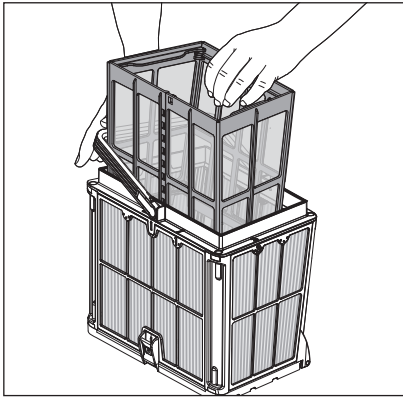


How to clean the filter bag

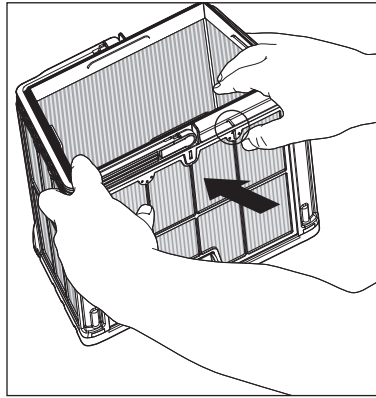
After rinsing the filter, quickly rinse the robotic pool cleaner with fresh water, to minimize damage caused by the chemicals in the pool water.

6.2 Periodic Filter Cleaning

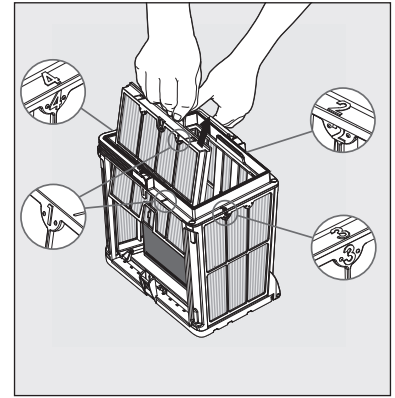
Dismantle the 4 ultra-fine filter panels of the outer basket, according to the following steps:



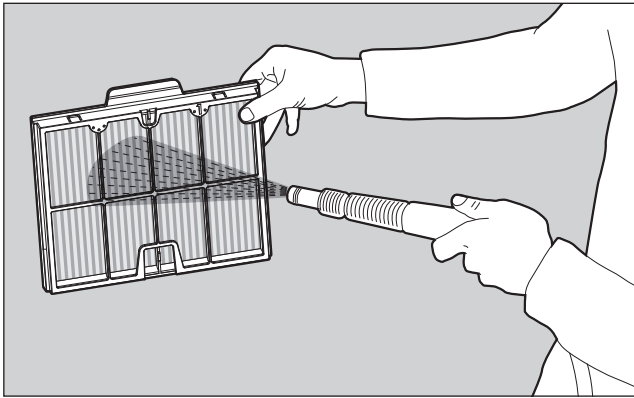
6.2.1 Hold down the handle to remove the inner net basket.



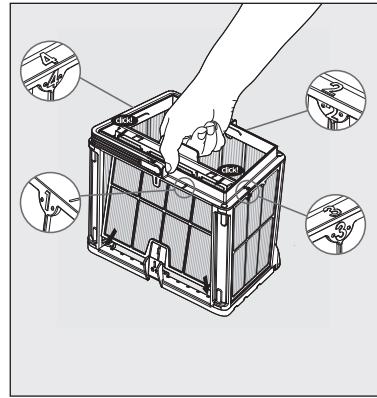
6.2.2 Dismantle the panels; start by pressing on panel 1, using your thumbs.



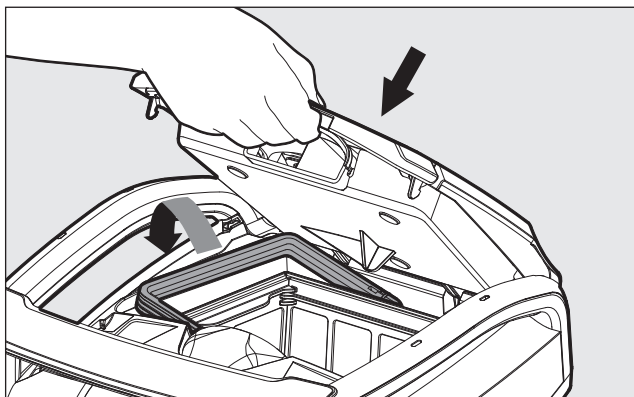
6.2.3 Continue to dismantle in the panels in order: 2 → 3 → 4.



6.2.4 Clean the filter panels with a hose.



6.2.5 Assemble the filter panels in the following order: Panel 4 → 3 → 2 → 1.



6.2.6 Reposition the inner net basket, check that each filter was placed well, and insert the clean filter basket. Close the filter cover.

6.3 Cleaning the impeller

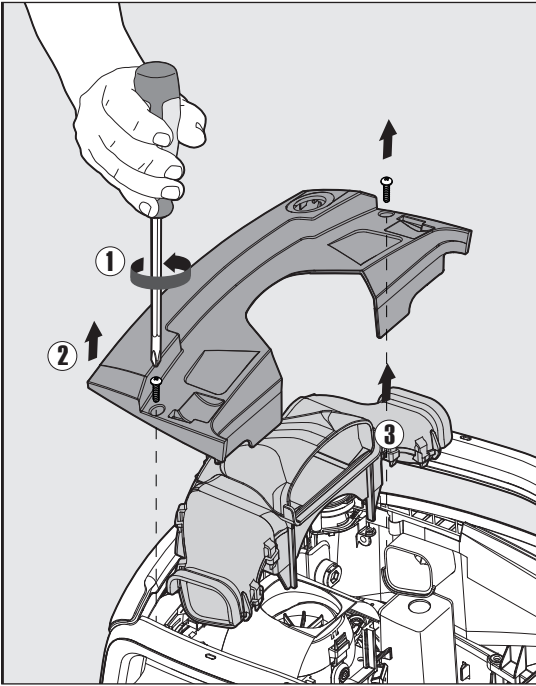
If you notice debris trapped in the impeller:



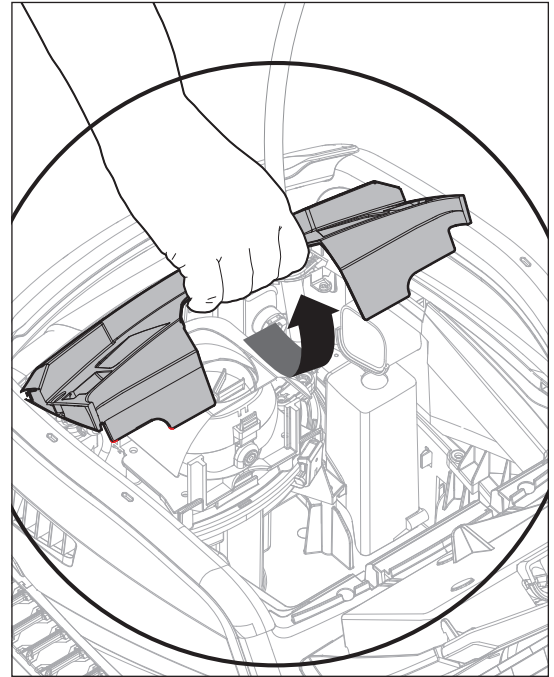
Make sure the power supply is switched off and unplugged.



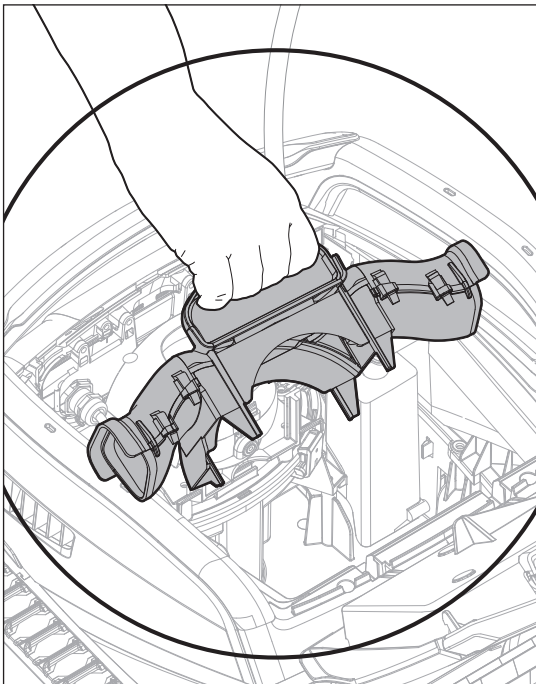
Clean the debris trapped in the impeller opening, according to the following steps:



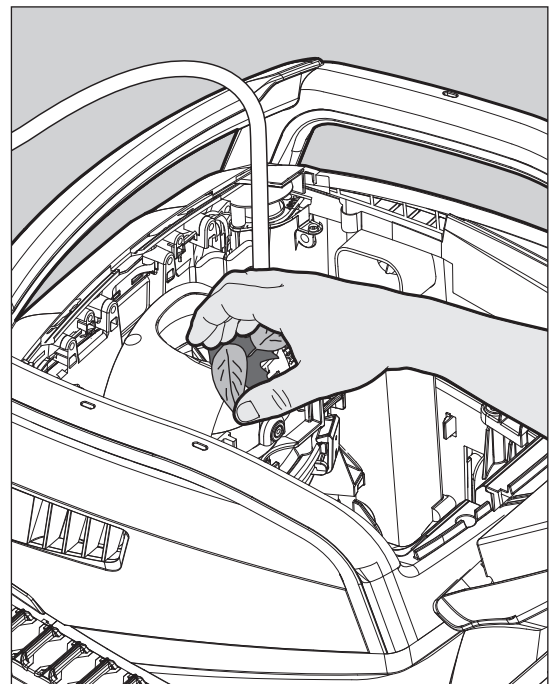
6.3.1



6.3.2

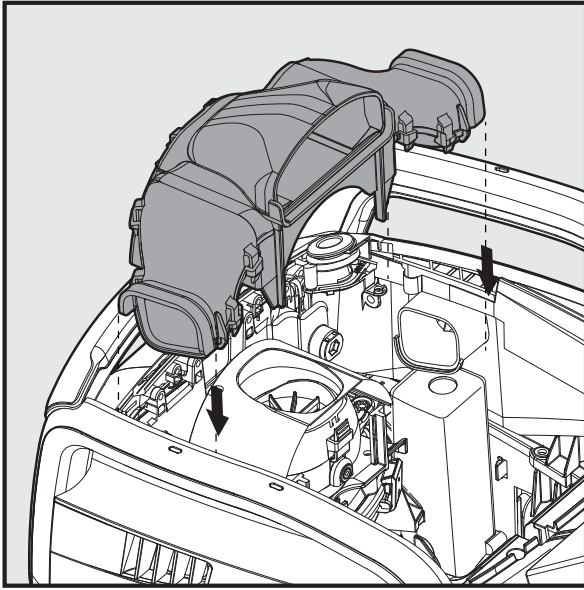


6.3.3

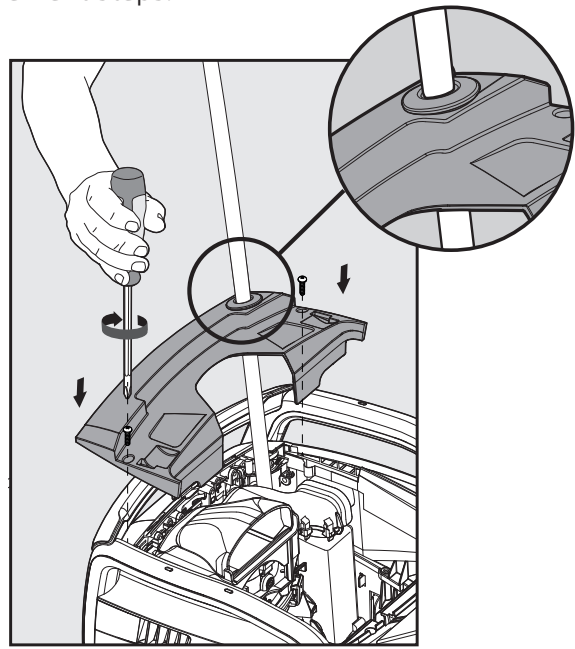


6.3.4

Assemble the impeller compartment according to the next steps:



6.3.5



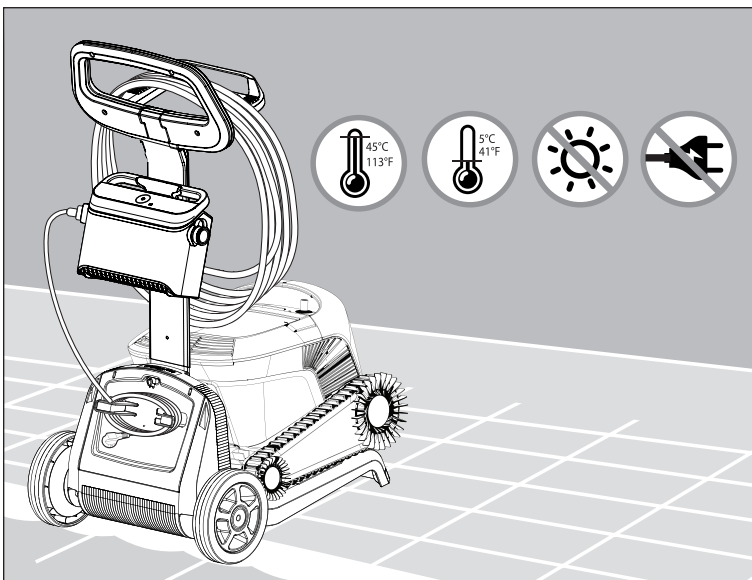
6.3.6

6.4 Periodic general maintenance - Recommended at least once a week

When the cable is wet, spread it flat and straight in the yard, to release any twists in the cable. Allow the cable to dry before winding it again to prevent mildew.

7. OFF-SEASON STORAGE

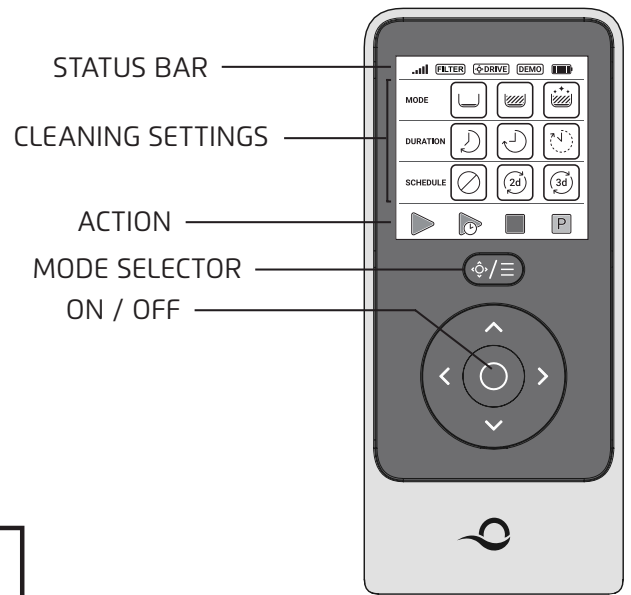
- Make sure that no water is left in the robotic pool cleaner.
- Thoroughly clean the filter basket and panels and insert them back in place.
- Roll up the blue cable so that it has no kinks and place it on the Caddy mount.
- Store the robotic pool cleaner in a protected area out of direct sun/rain/frost, at a temperature range of 5 °C to 45 °C (41 °F to 113 °F).



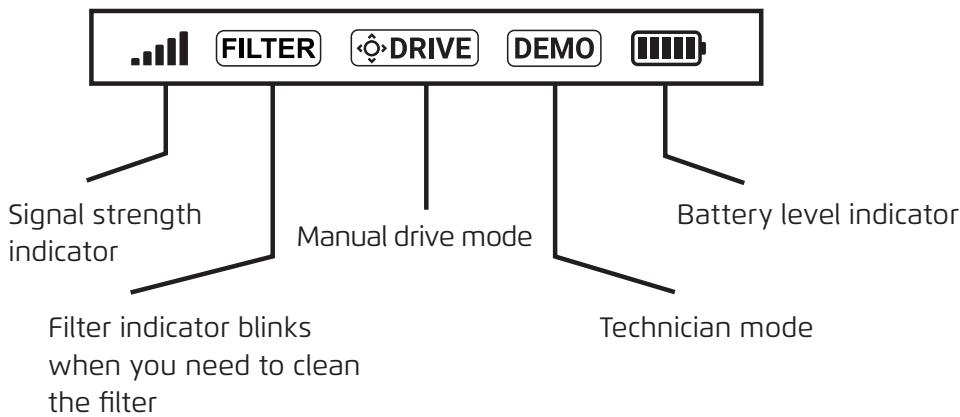
8. HOW TO USE THE REMOTE CONTROL

The remote control unit offers two operation modes:

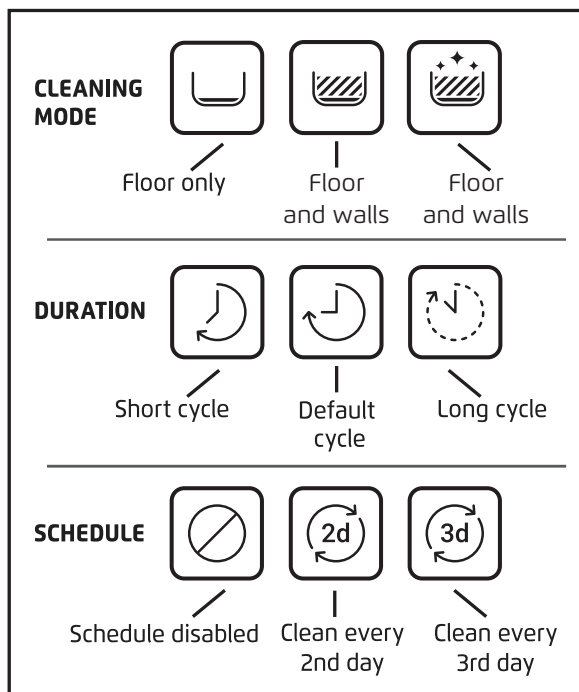
- **Programmable mode** - cleaning parameters can be changed
- **Manual Drive mode** - motion can be controlled manually



STATUS BAR



CLEANING SETTINGS



8.1 Getting started with the remote control

1. Download the MyDolphin™ Plus mobile app, and complete the registration process, in order to activate the features.
2. Make sure the remote control is OFF.
3. Plug in the power supply.
4. Attach the remote control to the power supply.
5. Press simultaneously on both right and left direction control arrows until you hear two beep sounds and you have a clear view of the remote control screen.

8.2 Programmable mode

The remote control unit offers the following programmable operation modes:

1. Cleaning mode - floor or floor and walls (see page 14)
2. Duration - 2h/3h/4h (see page 14)
3. Delay - 1 hour delay - available if connected to MyDolphin™ Plus app
4. Schedule - every second day or every third day
5. Pick up (see page 9)
6. On / Off

In **Delayed Operation** mode, you can set the Pool Cleaner to clean the pool after the debris has settled to the floor, by pressing **START LATER**. 

The power supply will start blinking **green**. After one hour, the Pool Cleaner will start working.



If you wish to cancel the **START LATER** program, press again on the **START LATER** icon.

When the power supply stops blinking, the program is canceled.

In the **Weekly Scheduling** mode, you can set your own cleaning program. You can choose if you want to clean your pool every two days or every three days.

This feature requires leaving the robot in the water for the whole week. To minimize wear and tear, we recommend taking the robotic pool cleaner out after each use to rinse the robot and filter.

Using the weekly scheduler will accelerate wear and tear because the robot remains in the pool with its chemicals. Also, if the filter isn't rinsed the robot cleaning efficiency is reduced.

- To clean your pool every 2 days, press 
- To clean your pool every 3 days, press 
- The scheduling program is valid for one week only. If you program the weekly timer in the MyDolphin™ Plus app, you can set it to 'repeat' and the scheduling program will continue week after week. Again, leaving the robot in the water increases its wear and tear while reducing its cleaning efficiency.


8.3 Manual drive mode

You can use the Manual Drive mode to control how your Dolphin pool cleaner navigates around the pool.

Note: Due to its wireless functionality, there might be a delay between your command and when the robot is able to follow. If you want to turn, hold the left or right key for 2-4 seconds and wait to see if the robot is facing the desired direction.

- If the robot is **ON** - Turn on the remote, press the mode selector, and use the direction control arrows to control the movement of the robot around the pool.

- If the robot is **OFF** - Turn on the remote and wait for 60 seconds until the self-test is completed. Press the mode selector and use the direction control arrows to control the movement of the robot around the pool.

NOTE: If the signal bar is blinking  or you have lost connection with the power supply, it could be due to one of the following reasons.

What's wrong	What to do
The power supply isn't working	Make sure the power supply is plugged in
The remote control is not in range	Move closer to your power supply
The remote control isn't paired with your robot	Make sure the remote control is OFF . Attach the remote control unit to the power supply. Press simultaneously on both right and left direction control arrows until you hear two beeps, and the power supply shows a steady BLUE connectivity LED

In case of difficulties operating the remote control unit, try to repeat the above steps or contact our Customer Care team.

*see details in the end of this document

9. ADVANCED FEATURES

In order to activate the advanced features, please download the MyDolphin™ Plus app.

Temperature Sensor

This Dolphin robotic pool cleaner has a unique sensor that lets you know the water temperature.

The sensor shows the temperature in Celsius and Fahrenheit.

Degree range: 6°C to 38°C (42.8°F to 100.4°F).

Filter gauge

This feature shows you two levels of filter mode, and how clogged the filter is, due to a load of dirt or a certain element getting stuck inside the filter.

This is very important for the efficient operation of the filter and its preservation over time.

The feature can be activated through the MyDolphin™ Plus app.

In / Out of water sensor

This feature enables you to know whether the robotic pool cleaner is inside or outside the pool water.

Before activating this feature, a calibration is needed. To calibrate, please follow the steps as shown in the app.

Delay start

This feature allows you to start the operation in 1h , 2h or 3h.

You can use this to let the debris sink in, and settle to the pool floor before the robot starts its cleaning cycle.

10. MyDolphin™ Plus App OPERATION

10.1 Getting started with the MyDolphin™ Plus app

The app is compatible with the following smart devices:

- Apple (iOS) - version 10 and up - iPhone, iPad, iPod
 - Android – version 5 and up operating system
1. Make sure your mobile smart device (phone/tablet) is connected to the internet.
 2. Make sure you have your Wi-Fi® network name and password in reach.
 3. The power supply connects to WiFi® 2.4GHz only. If you have a dual-band router, separate the 2.4 and 5GHz networks and give them unique names. You can find instructions for your router brand online or consult your internet provider.
 4. Ensure Bluetooth® is enabled on your smartphone.
 5. Android users - please make sure your GPS / Location Services are ON.
 6. For iOS 13 only - while the app is working, enable Bluetooth® & location.

10.2 Prepare the pool cleaner for connection

1. Connect the blue cable to the power supply and the power cable from the power supply to the electrical outlet.
2. The connectivity LED light indicator on your power supply will start flashing **blue**.
3. Place the pool cleaner in the water.
4. Press the ON button on your IoT power supply, to start the pool cleaner.

10.3 Activate the pool cleaner using your mobile smart device

1. Activate the MyDolphin™ Plus app.
2. Sign up by creating an account or use your Gmail/Facebook accounts.
3. Allow all required permissions.
4. Wait for the steady **blue** connectivity LED light and a success message in the app.
The app will start pairing with your power supply. Follow the app instructions to connect with the robot.
5. Connect to your home/pool Wi-Fi® network.
6. Enter the password of your home Wi-Fi® network, and press CONTINUE.
After a short while, your power supply will flash **green** and **blue**.
7. Wait for the steady **green** connectivity LED light and a success message in the app.

NOTE: Next time you open the app, you will be able to fill in the warranty via the app.

TIPS:

- If the app is stuck on the same screen for over 2 minutes, close the app and re-open it.
- To test your Wi-Fi® signal strength and quality, stand next to the power supply and play a video via your smart phone browser.

11. POWER SUPPLY - LED LIGHTS

Connectivity LEDs

The connectivity LED light on the power supply has several modes:

1. Flashing **blue** light - waiting for Bluetooth® connection.
2. Steady **blue** light - connected via Bluetooth®.
3. Flashing **green** light - power supply is connected to your home/pool Wi-Fi® network and trying to connect to the cloud.
4. Steady **green** light - power supply is now connected to the Wi-Fi® network and to the cloud.
5. Alternating **blue** and **green** light - power supply is connected via Bluetooth® and to the cloud.
Appear also while using the remote control.

ON/OFF LEDs

1. Steady **blue** light - Power supply is ON, and the pool cleaner is working.
2. Flashing **green** light - waiting for the next operation (delay mode or weekly timer).
3. Alternate **blue/green/red** lights – program updating remotely.
Please wait until process is completed.
4. Steady **red** light - error. Refer to troubleshooting.
5. **Orange** light - Filter is clogged up. Please clean the filter.

Power supply ON/OFF button features:

1. Operating - Press the ON/OFF button for up to 5 sec.
2. Quick start - This feature activates the option to set a weekly timer every 2nd day.
To activate the quick start feature, press and hold the ON/OFF button for 5 sec. The **blue** led light will blink three times.
3. Automation mode - This feature allows you to connect to your smart-home.
To activate the automation mode, press and hold the ON/OFF button for 15 sec.
The **blue** led light will blink 3 times.

12. POWER SUPPLY - TROUBLESHOOTING

Symptom	Possible reason	Corrective action
The power supply or its ON/OFF LED are not working.	<ul style="list-style-type: none"> No voltage in the power socket in the wall. The power supply is not ON. The power cord is not properly connected to the power supply inlet. The Ground Fault Interrupter is OFF. 	<ul style="list-style-type: none"> Make sure that there is voltage in the power socket in the wall. Make sure that the power supply is plugged in and turned ON. Make sure that the power cord is securely connected all the way into the power supply. Turn OFF the power supply. Wait 30 seconds, then turn ON.
Can not connect to your Wi-Fi®, and the communication LED is blinking Green .	The power supply is too far from the router (weak signal) or your router is not working properly.	<ul style="list-style-type: none"> Reset the power supply (disconnect the power cord), and wait 1 min. Check that your smartphone has a strong Wi-Fi® connectivity near the power supply (stand next to the power supply and try to play any online video streaming application). Check if the home router is working properly. Locate the power supply as close as possible to the home router. Consider installing a Wi-Fi® extender 2.4 GHz to ensure that you have a sufficient signal strength. Note: In case the communication LED is still blinking Green, you have the option to connect via Bluetooth®.
Cannot connect to your robotic pool cleaner via Bluetooth®, and the communication LED is blinking Blue .	The power supply is too far from the smart device, or your Bluetooth® is disabled, or not working properly.	<ul style="list-style-type: none"> Try to turn your smartphone Bluetooth® Off and then On. Get closer to the power supply. Ensure that you don't have any obstructions or obstacles between you and the power supply. Turn the power supply OFF and then ON. If none of the above troubleshooting helps, contact the dealer for further support.
Steady Orange light on the power supply unit. * In selected models only	Filter is clogged.	<ul style="list-style-type: none"> Please clean the filter. We highly recommend cleaning the filter basket after each cleaning cycle. The robot works more effectively when the filter is clean.

13. MyDolphin™ Plus - TROUBLESHOOTING

Before using the app, make sure you have:

- Cellular connection 3G/4G/5G or Wi-Fi®, with strong signal strength
- Power supply supports 2.4 GHz ONLY. If you have a dual-band router, separate and rename the 2.4 and 5 MHz networks so that the robot can connect to the 2.4.
- Bluetooth® enabled

Symptom	What to do
Pool cleaner does not connect to Wi-Fi®, and the power supply is flashing green light.	The power supply is trying to connect to your home/pool Wi-Fi® network and cloud. <ol style="list-style-type: none"> 1. Get the power supply closer to the Wi-Fi® source. 2. Restart your power supply (PWS) and router by disconnecting each of them from the electric outlet, wait a few seconds and re-connect. 3. If you have a dual-band router, separate the 2.4 and 5GHz networks and give them unique names. You can find instructions for your router brand online or contact your internet provider.
If the robot does not manage to connect to WiFi®: How to change to Bluetooth® after previous WiFi® connection.	App screen reads: "Connection error" <ol style="list-style-type: none"> 1. Click "What else can I do". 2. Click on "Continue with Bluetooth®" and follow the instructions in the app. How to reconnect to the Wi-Fi® once communication is back: <ol style="list-style-type: none"> 1. Open the app. 2. Go to the settings tab. 3. Click on Wi-Fi® settings. 4. Follow the instructions .
Initial connection. How to connect with Bluetooth® only.	You must be close to the power supply to establish a Bluetooth® connection. <ol style="list-style-type: none"> 1. Plug in the power supply. 2. Connect the robot to the power supply. 3. Download the new MyDolphin™ Plus app. 4. Register to the app and allow all the required permissions. 5. Find your robot and connect to it by following app instructions. 6. During the Wi-Fi® configuration process click on the "Skip" button, this will allow you to proceed directly to the Bluetooth® connection interface.
How to change to Wi-Fi® after initial Bluetooth® connection.	<ol style="list-style-type: none"> 1. Make sure your Bluetooth® and Wi-Fi® are enabled. 2. Open the MyDolphin™ Plus app and connect to the robot via Bluetooth®. 3. Go to Settings and click "Wi-Fi® Settings". 4. Follow the app instructions to go online.
Changing your Wi-Fi® network.	Router was replaced <ol style="list-style-type: none"> 1. Open the app. 2. The app will show the "Connection error" screen. 3. Click "What else can I do". 4. Click on "Change Wi-Fi®" and follow and instructions.
Power supply replacement.	Connecting to new power supply <ol style="list-style-type: none"> 1. Connect the power supply to the robot. 2. Activate the robot for 30 sec. 3. Turn on the app. It will show "Connection error" or "Can't connect to robot". 4. Click "What else can I do". 5. Choose "Do you have a new robot or a power supply". 6. Search for your robot and follow the instructions.
App doesn't work after motor unit replacement.	<ol style="list-style-type: none"> 1. Open the MyDolphin™ Plus app. You will see a connection error. 2. Tap "What else can I do" to fix this? Then, under "Do you have a new robot or power supply?", tap "Disconnect" and search for robots. The Welcome screen is displayed. 3. Tap "Let's get started". Be sure that the app has the required permissions. 4. It should now search for and try to connect with the robot. This pairs the robot's serial number with the app. If it doesn't work, be sure that your Bluetooth® is on and connected to the power supply and that your power supply is on while the robot is in the water (if it is out of the water while on, it will give an out of water error message which derails the pairing process). There are detailed pairing instructions in the box that the power supply came in. Note: How do I check what is my robot serial number? The number appears inside the robot, behind the filter

14. ROBOTIC POOL CLEANER - TROUBLESHOOTING



Unplug the power supply before performing any action.

Symptom	Possible reason	Corrective action
The robotic pool cleaner does NOT move.	<ul style="list-style-type: none"> An obstacle is blocking the impeller, tracks, or wheels. 	<ul style="list-style-type: none"> Unplug the power supply. Open the impeller cover and check that nothing is trapped in the impeller. Verify that nothing blocks the tracks or wheels.
The robotic pool cleaner is moving in circles.	<ul style="list-style-type: none"> Clogged filter basket. Debris stuck in the impeller housing or impeller cover. Power supply incorrectly positioned. Algae buildup or pool water does not meet specifications. 	<ul style="list-style-type: none"> Clean the filter basket. Remove debris stuck in the impeller housing or impeller cover (see illustrations 6.3.1 to 6.3.4). Place power supply in a position that enables the robotic pool cleaner to freely reach the entire pool area. Correct pool and water conditions.
The robotic pool cleaner does not turn or moves in one direction only.	<ul style="list-style-type: none"> Debris stuck in the impeller housing or impeller cover. 	<ul style="list-style-type: none"> Remove debris stuck in the impeller housing or impeller cover (see illustrations 6.3.1 to 6.3.4).
The robotic pool cleaner moves but does not clean the pool.	<ul style="list-style-type: none"> Clogged filter basket. Debris stuck in the impeller housing or impeller cover. 	<ul style="list-style-type: none"> Clean the filter basket. Remove debris stuck in the impeller housing or impeller cover (see illustrations 6.3.1 to 6.3.4).
The robotic pool cleaner cleans only part of the pool.	<ul style="list-style-type: none"> Power supply incorrectly positioned. Not enough blue cable is released for the correct operation of the robotic pool cleaner. 	<ul style="list-style-type: none"> Place the power supply in a position that enables the robotic pool cleaner to freely reach the entire pool area, while verifying a minimal distance from the pool of 3.5m / 12ft and minimal height above the ground of 11cm / 4in. Check that there is enough slack in the blue cable for the robotic pool cleaner to reach the entire pool. Clean the filter basket.
The blue cable has kinks.	<ul style="list-style-type: none"> Cable has kinks, possibly from using it without unfurling it first to remove any twists. 	<ul style="list-style-type: none"> To remove the kinks, stretch the blue cable out completely and after it dries, wind it carefully to avoid twists.
The robotic pool cleaner doesn't climb the walls.	<ul style="list-style-type: none"> Clogged filter basket prevents rear jet from pushing robot onto walls. Algae on walls. Unsuitable pH level. Debris stuck in the impeller housing or impeller cover. Surface is too slippery for your rear brush type. 	<ul style="list-style-type: none"> Clean the filter basket. Check the level of chemicals in the water. Improper levels may allow the growth of algae, making the walls slippery. If so, adjust the levels and scrub the walls. Remove debris stuck in the impeller housing or impeller cover (see illustrations 6.3.1 to 6.3.4). Contact your distributor to switch your rear brush to a Wonder brush according to the surface smoothness of your pool walls.

Issue	Suggested action
Robot does not turn ON.	<ul style="list-style-type: none"> Make sure the power supply is ON. Make sure the AC outlet is OK.

FCC STATEMENT

This device complies with Part 15 of the FCC Rules. Operation is subject to the following two conditions:

(1) This device may not cause harmful interference.

(2) This device must accept any interference received, including interference that may cause undesired operation. Changes or modifications not expressly approved by the party responsible for compliance could void the user's authority to operate this equipment.

Note: This equipment has been tested and found to comply with the limits for a Class B digital device, pursuant to part 15 of the FCC Rules. These limits are designed to provide reasonable protection against harmful interference in a residential installation. This equipment generates, uses and can radiate radio frequency energy and, if not installed and used in accordance with the instructions, may cause harmful interference to radio communications. However, there is no guarantee that interference will not occur in a particular installation. If this equipment does cause harmful interference to radio or television reception, which can be determined by turning the equipment off and on, the user is encouraged to try to correct the interference by one or more of the following measures:

- Reorient or relocate the receiving antenna.
- Increase the separation between the equipment and receiver.
- Connect the equipment into an outlet on a circuit different from that to which the receiver is connected.
- Consult the dealer or an experienced radio/TV technician for help.

WARNING - RF EXPOSURE COMPLIANCE: This equipment should be installed and operated with a minimum distance of 10 cm between the radiator and your body.

IC STATEMENT

• **This Class B digital apparatus complies with Canadian ICES-003.**

• **Cet appareil numérique de la classe B est conforme à la norme NMB-003 du Canada.**

This device contains licence-exempt transmitter(s)/receiver(s) that complies with Innovation, Science and Economic Development Canada's licence-exempt RSS(s). Operation is subject to the following two conditions:

(1) This device may not cause interference.

(2) This device must accept any interference, including interference that may cause undesired operation of the device.

L'émetteur/récepteur exempt de licence contenu dans le présent appareil est conforme aux CNR d'Innovation, Sciences et Développement économique Canada applicables aux appareils radio exempts de licence.

L'exploitation est autorisée aux deux conditions suivantes:

(1) L'appareil ne doit pas produire de brouillage.

(2) L'appareil doit accepter tout brouillage radioélectrique subi, même si le brouillage est susceptible d'en compromettre le fonctionnement.

AVERTISSEMENT - CONFORMITÉ AUX NORMES D'EXPOSITION AUX RF: Cet équipement doit être installé et utilisé à une distance minimale de 10 cm entre le radiateur et votre corps.

This product is in accordance with EU Radio Equipment Directive 2014/53/EU.

For more information, please contact us at www.maytronics.com/contact-us-en and ask for the CE declaration of conformity.

Wave 90i is supplied with power supply IoT, in which embedded Wi-Fi® and Bluetooth® radio transceivers. Each one of the radio modules operates independently and never operates simultaneously with another radio.

Description	Frequency range	Maximum transmit power
Wi-Fi® IEEE 802.11b/g/n	2412 – 2472 MHz	76 mW
Bluetooth®, 4.1	2402 – 2480 MHz	1.8 mW

Wave 90i is equipped with remote control unit transceiver.

Description	Frequency range	Maximum transmit power
Bluetooth®, 4.1	2402 – 2480 MHz	5.7 mW

DÉCLARATION FCC

Ce dispositif est conforme à l'alinéa 15 de la Réglementation FCC.

Le fonctionnement est soumis aux deux conditions suivantes:

(1) Ce dispositif ne doit pas causer d'interférences nuisibles.

(2) Ce dispositif doit accepter toute interférence reçue, notamment les interférences susceptibles de provoquer des anomalies de fonctionnement. Les changements ou modifications non expressément approuvés par la partie responsable de la conformité pourraient annuler l'autorité de l'utilisateur à utiliser cet équipement.

Remarque: Cet équipement a été testé et déclaré conforme aux limites d'un Dispositif numérique de classe B, conformément à l'alinéa 15 de la Réglementation FCC. Ces limites sont conçues pour fournir une protection raisonnable contre l'énergie de radiofréquence et, si elles ne sont pas installées et utilisées conformément aux instructions, elles peuvent causer des interférences nuisibles aux communications radio. Cependant, il n'existe aucune garantie que des interférences ne se produiront pas dans une installation particulière. Si cet équipement cause des interférences nuisibles à la réception radio ou télévision, ce qui peut être déterminé en éteignant et en rallumant l'équipement, l'utilisateur est encouragé à essayer de corriger l'interférence par une ou plusieurs des mesures suivantes :

interférences nuisibles dans une installation résidentielle. Cet équipement génère, utilise et peut émettre réception radio ou télévision, ce qui peut être déterminé en éteignant et en rallumant l'équipement, l'utilisateur est encouragé à essayer de corriger l'interférence par une ou plusieurs des mesures suivantes:

- Réorientez ou déplacez l'antenne de réception.
- Augmentez la distance entre l'équipement et le récepteur.
- Branchez l'équipement à une prise sur un circuit différent de celui auquel est connecté le récepteur.
- Consultez le revendeur ou un technicien radio/TV expérimenté pour obtenir de l'aide.

AVERTISSEMENT - CONFORMITÉ AUX EXPOSITIONS RF: Cet équipement doit être installé et utilisé avec une distance minimale de 10 cm entre le radiateur et votre corps.

DÉCLARATION CI

• **Cet appareil numérique de classe B est conforme à la norme canadienne ICES-003.**

• **Cet appareil numérique de la classe B est conforme à la norme NMB-003 du Canada.**

Ce dispositif contient un ou des émetteurs/récepteurs exempts de licence conformes aux RSS exempts de licence d'Innovation, Sciences et Développement économique Canada.

Le fonctionnement est soumis aux deux conditions suivantes:

(1) Ce dispositif ne doit pas causer d'interférences.

(2) Ce dispositif doit accepter toute interférence, notamment les interférences susceptibles de provoquer des anomalies de fonctionnement du dispositif.

L'émetteur/récepteur exempt de licence contenu dans le présent appareil est conforme aux CNR d'Innovation, Sciences et Développement économique Canada applicables aux appareils radio exempts de licence.

L'exploitation est autorisée aux deux conditions suivantes:

(1) L'appareil ne doit pas produire de brouillage.

(2) L'appareil doit accepter tout brouillage radioélectrique subi, même si le brouillage est susceptible d'en compromettre le fonctionnement.

AVERTISSEMENT - CONFORMITÉ AUX NORMES D'EXPOSITION AUX RF: Cet équipement doit être installé et utilisé à une distance minimale de 10 cm entre le radiateur et votre corps.

Ce produit est conforme à la Directive européenne 2014/53/EU sur les équipements radioélectriques.

Pour plus d'informations, veuillez nous contacter sur www.maytronics.com/contact-us-en et sollicitez la déclaration de conformité CE.

Wave 90i est livré avec une alimentation IoT, dans laquelle sont intégrés des émetteurs-récepteurs radio Wi-Fi® et Bluetooth®. Chacun des modules radio fonctionne indépendamment et ne fonctionne jamais simultanément avec une autre radio.

Description	Gamme de fréquences	Puissance d'émission maximale
Wi-Fi® IEEE 802.11b/g/n	2 412-2 472 MHz	76 mW
Bluetooth®, 4.1	2 402-2 480 MHz	1,8 mW

Wave 90i est équipé d'un émetteur-récepteur de télécommande.

Description	Gamme de fréquences	Puissance d'émission maximale
Bluetooth®, 4.1	2 402-2 480 MHz	5,7 mW

Still have questions? We are here for you!

Contact Maytronics Customer Care:

North America

1-888-365-7446 ext. 1002
customersupport@maytronicsus.com

France

+33 (0)4 42 98 14 90
support@maytronics.fr

Australia, NZ, South Africa

1 300 693 657
infoau@maytronics.com

Rest of the world / Maytronics HQ

00 800 69694141 (toll free number)
00 972 77 96 14 204 (international call)
wecare@maytronics.com

For full information and additional troubleshooting
please visit us at:

www.maytronics.com