

Peristaltic Dosing Pumps B Series

The B Series are a range of peristaltic dosing pumps fixed and variable flow rates designed for discontinuous use

Technical Features:

- Flow Rates up to 12 L/H
- Maximum operating pressures of up to 3 Bar
- **B-F series** with flow fixed – Power supply 230V
- **B3-V series** Flow Rate Adjustment: 10 – 100% - Variable power supplies from 90 – 260v as standard - Optional power supplies include 12Vdc, 24Vdc or 24Vac
- **B-FCD** with integrated CD meter to monitor detergent concentration in washing systems / Set point / Direct function and upon request, reverse function / Operating range 400 ÷ 20,000 μ S / LED pump ON indicator / *Supplied with detergent accessories kit and conductivity probe*
- available with removable power cable
- Peristaltic tubing available in Santoprene[®], Silicone, Norprene[®] or Tygon
- The peristaltic tubing is fitted with SS clamps
- Supplied with wall mounting bracket



ACCESSORY KIT OPTIONS

Standard Kit (Suitable for most water treatment applications)

- PVC/FPM Injection Valve
- PP/FPM Foot Filter
- 2m each of PVC suction & LDPE discharge tubing

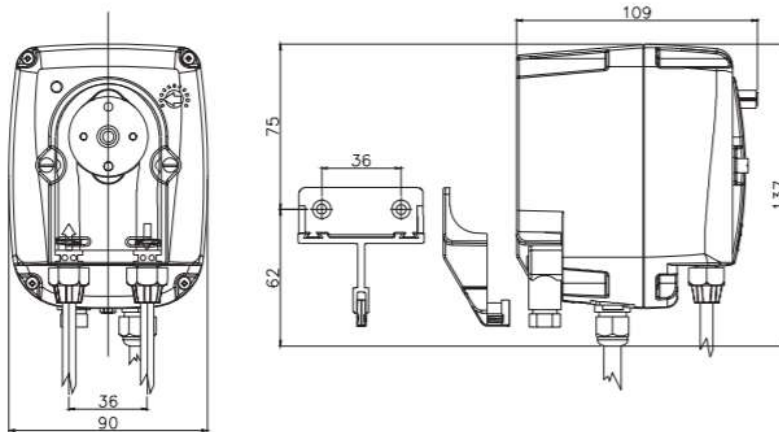
"Brightener" Kit

- Nickel plated brass/FPM Injection Valve
- SS Foot Filter
- 2m each of PVC suction & LDPE discharge tubing

Detergent Kit (Suitable for use with detergents)

- PP/EPDM Injection Valve with 90° hose nipple
- SS Foot Filter
- 2m each of PVC suction & LDPE discharge tubing

DIMENSIONS:



SPECIFICATIONS

Version	Flow Rate l/h (US GAL/h)	Pressure bar (psi)
0103	1 (0.26)	3 (43)
0101	1,5 (0.39)	1,5 (21)
0303	3 (0.79)	3 (43)
0301	3 (0.79)	1,5 (21)
0403	4 (1.06)	3 (43)
0601	6 (1.59)	1 (14)
1001	10 (2.60)	1 (14)
1201	12 (3.17)	1 (14)

CODES:

B-F	Version
PBF4437474	0101
PBF44374574	301

B3-V	Version
PBV4337274	0103
PBV4336574	403
PBV4337374	1201

B-FCD	Version
PCD1518864	0103
PCD1523864	303
PCD1518964	601
PCD1504264	1001