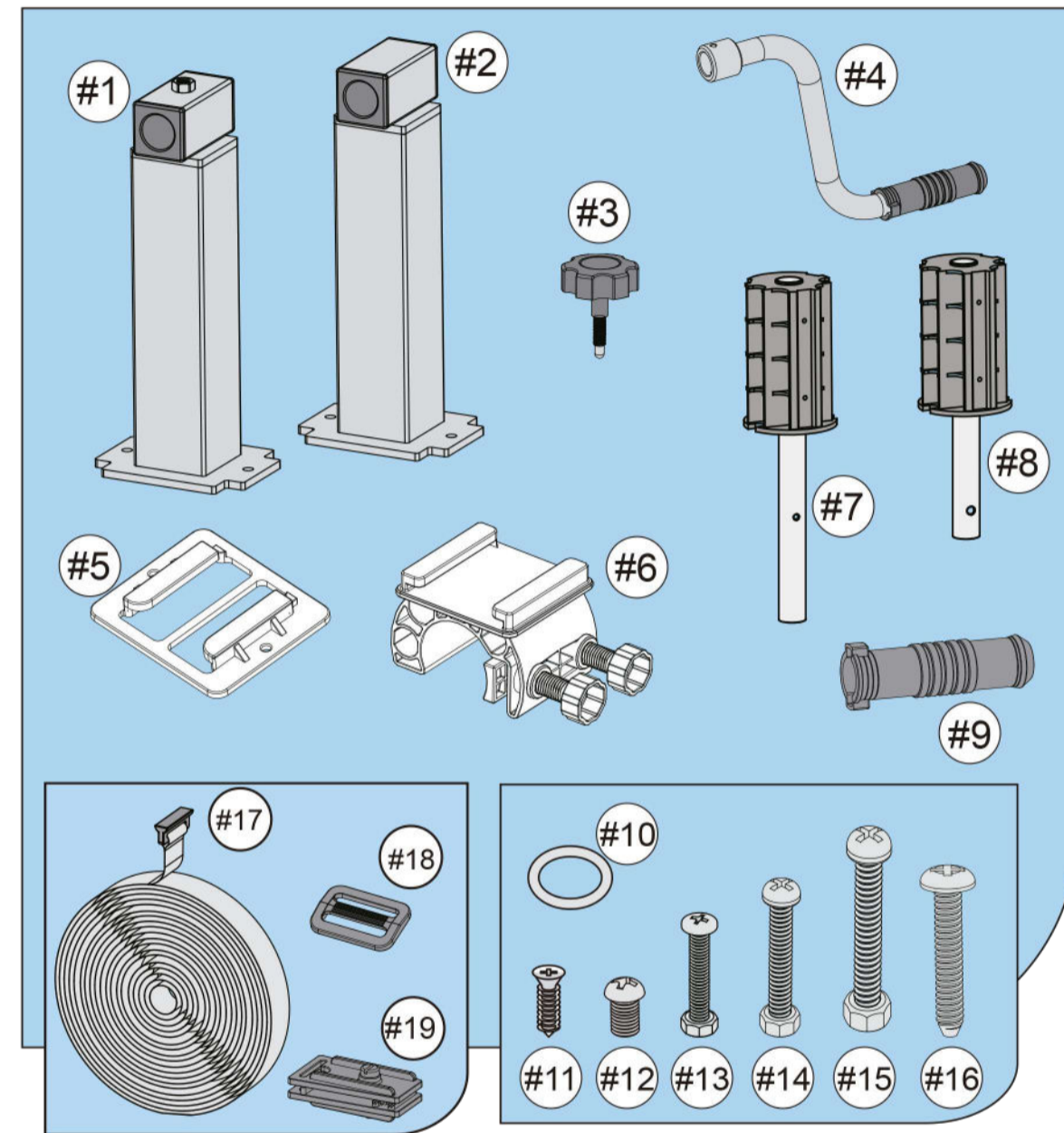


Enrollador ICPE5



1

Ref	Qty
#1	1
#2	1
#3	1
#4	1
#5	2
#6	2
#7	1
#8	1
#9	1
#10	1
#11	4
#12	6
#13	1
#14	1
#15	4
#16	4
#17	8
#18	8
#19	8

