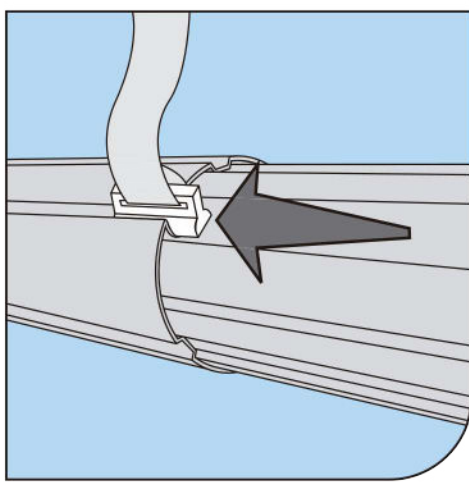
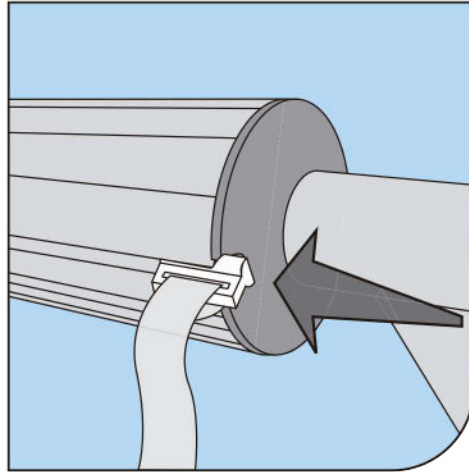


Enrollador ICPE4

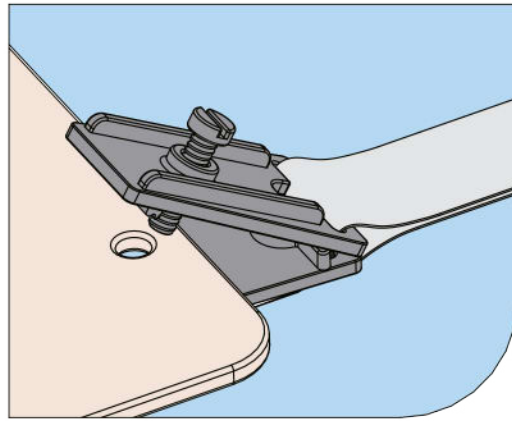
8



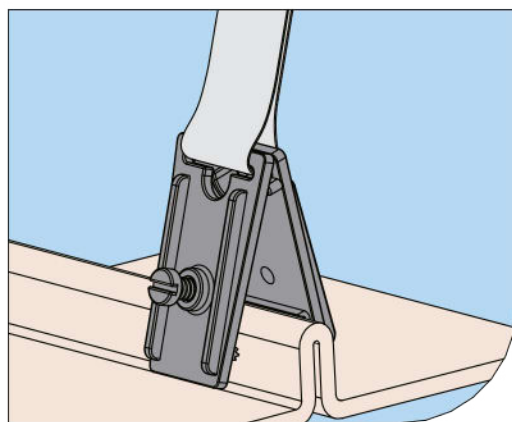
9



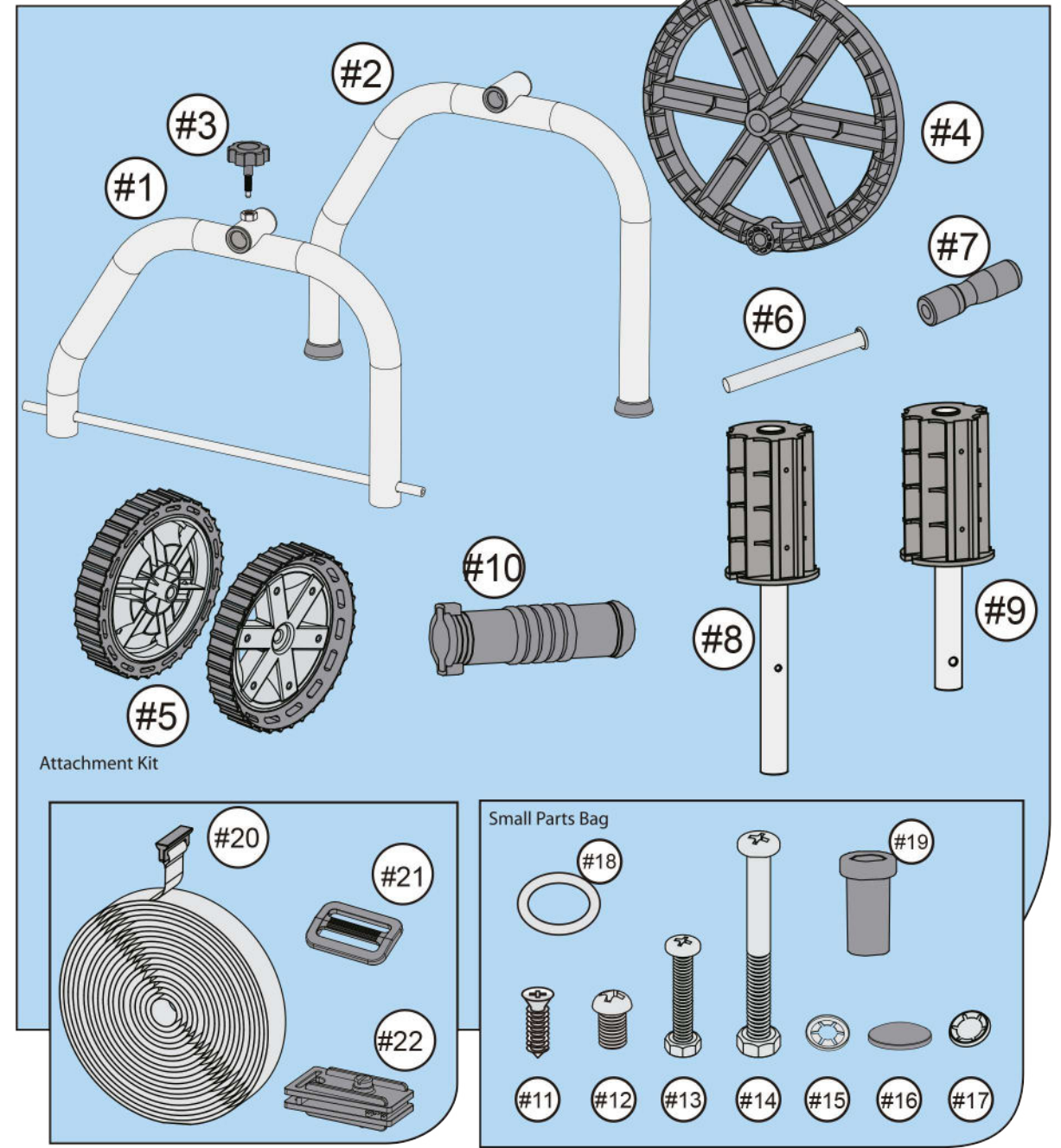
10a



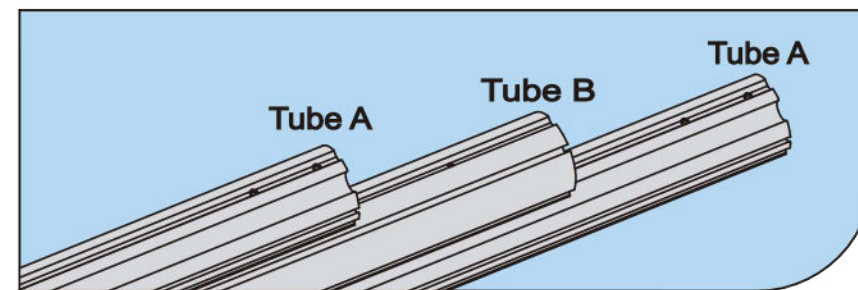
10b

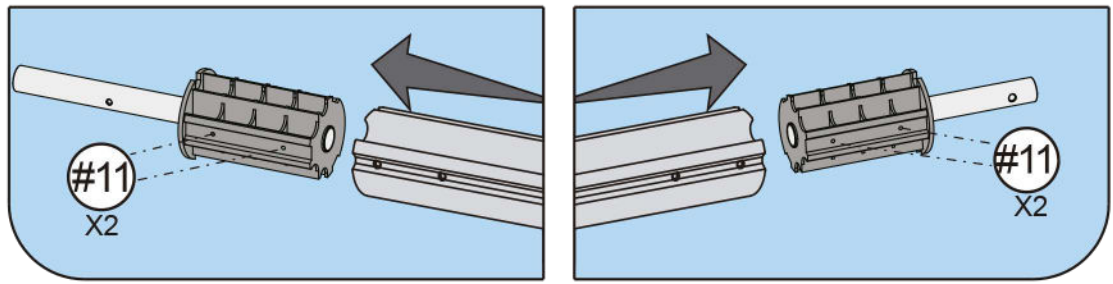


1

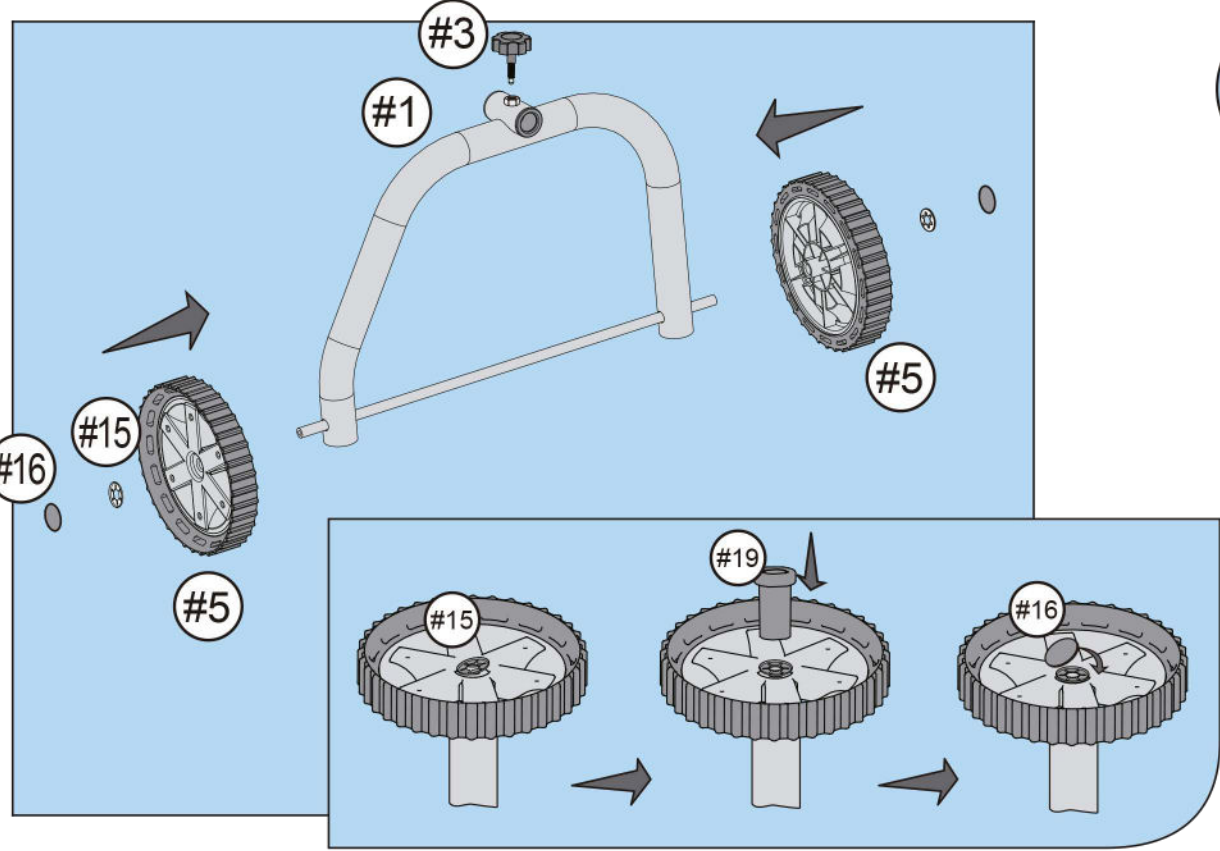


Ref	Qty
#1	1
#2	1
#3	1
#4	1
#5	2
#6	1
#7	1
#8	1
#9	1
#10	1
#11	4
#12	6
#13	1
#14	1
#15	2
#16	2
#17	1
#18	1
#19	1
#20	8
#21	8
#22	8

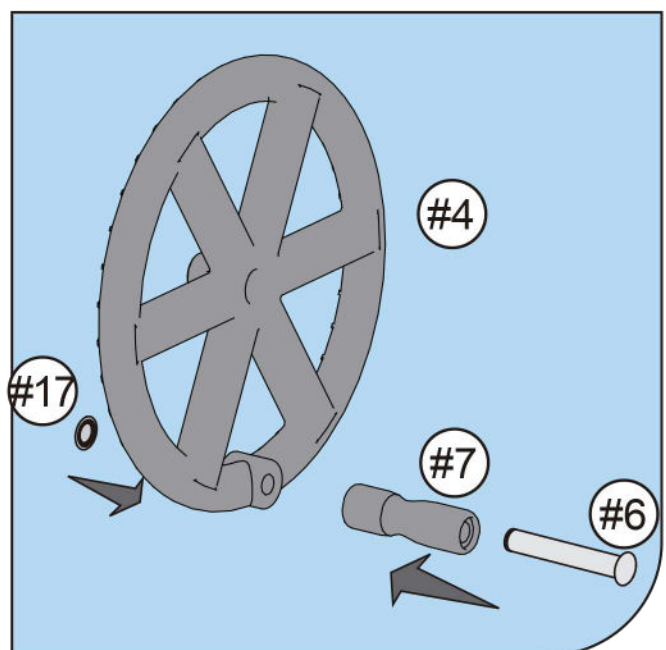




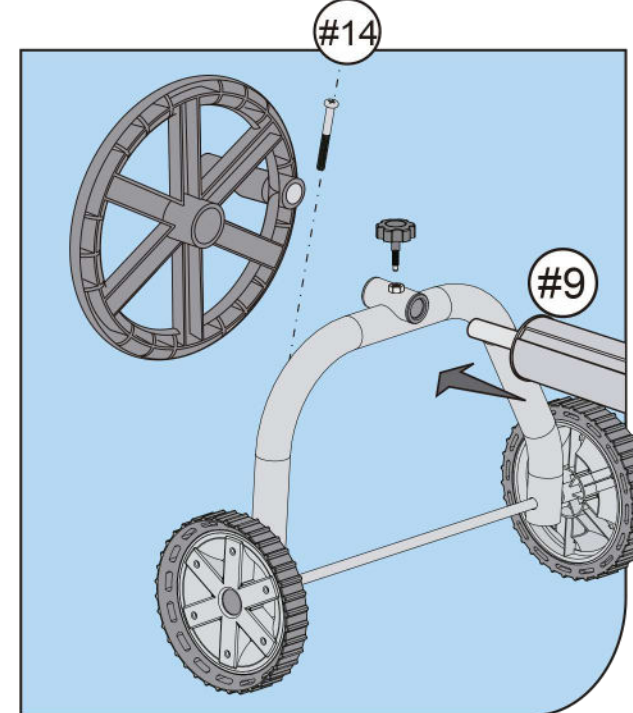
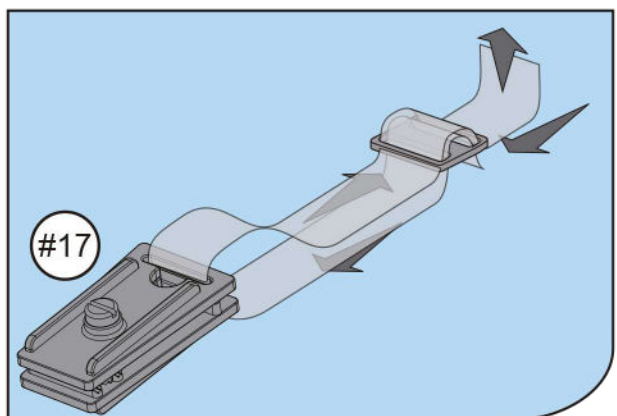
2



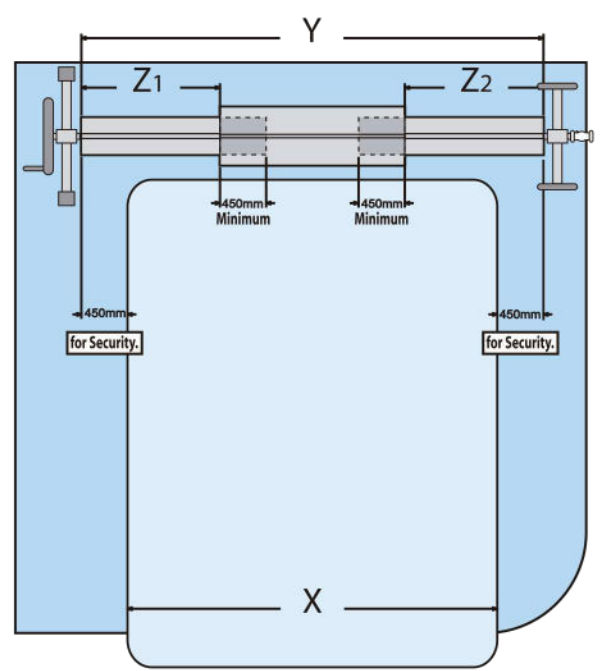
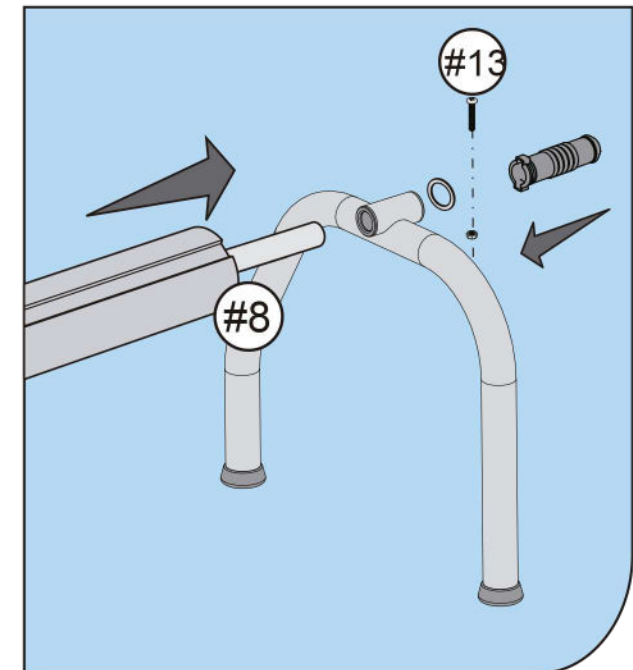
3



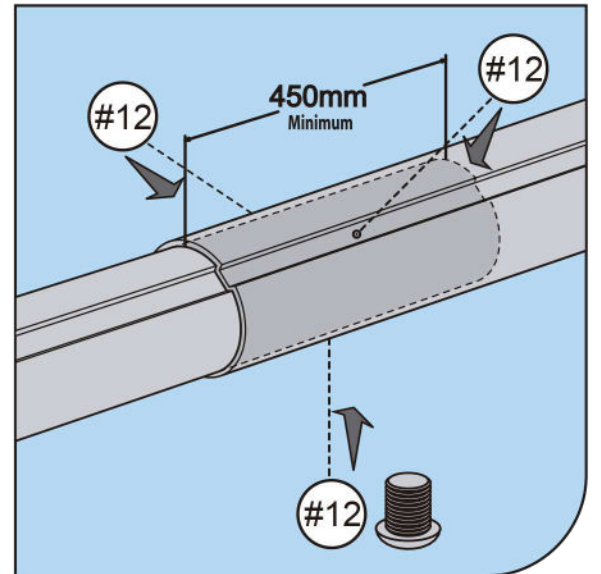
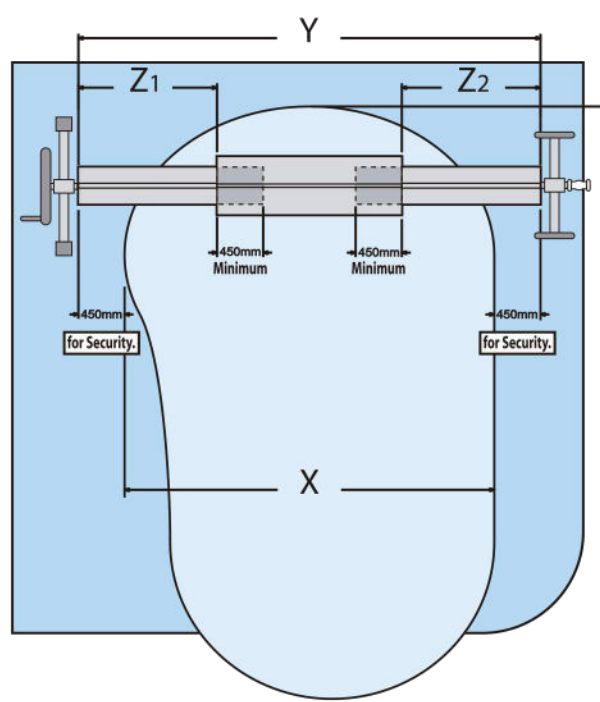
4



5



6



7

