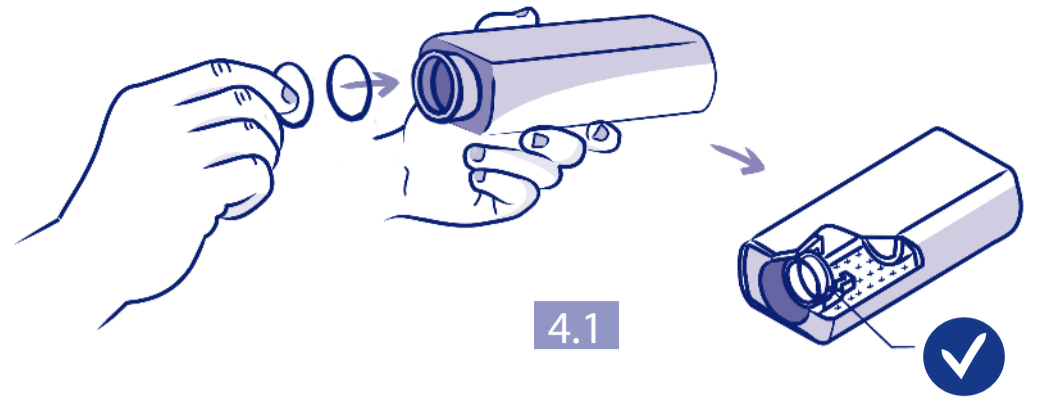
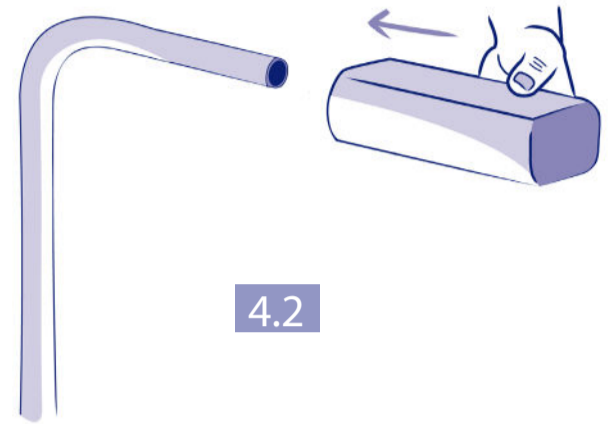


ANCHOR ASSEMBLY
AS 00107E201



4.1

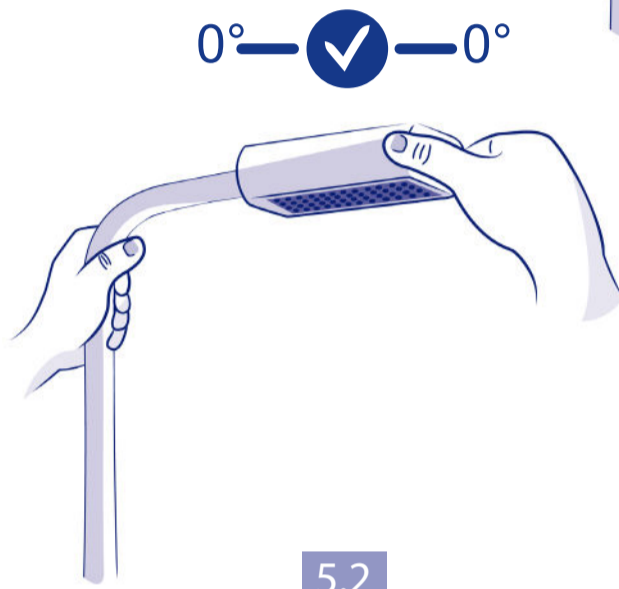


4.2



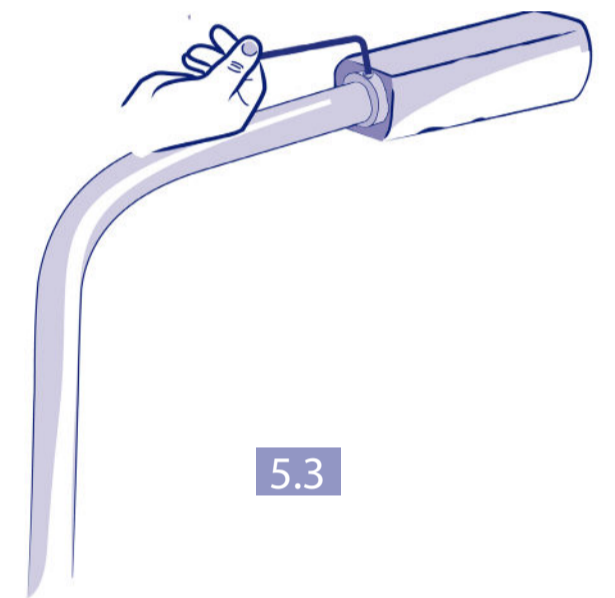
INTRODUCIR
HASTA TOPE

5.1

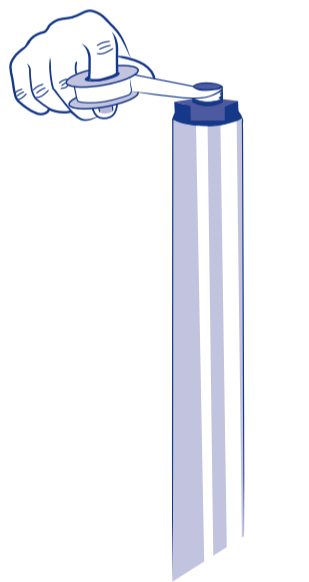


0° — ✓ — 0°

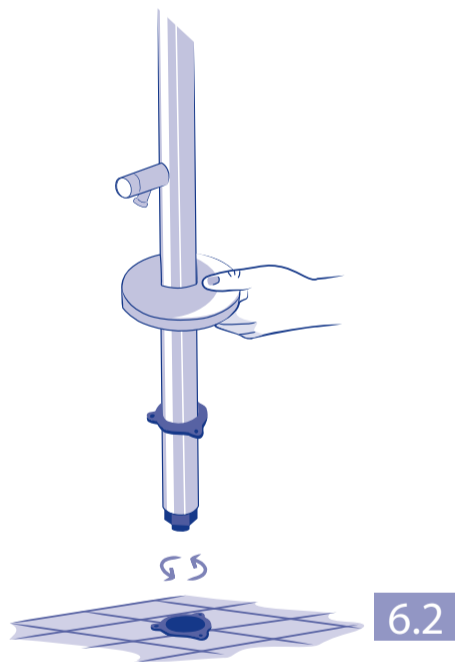
5.2



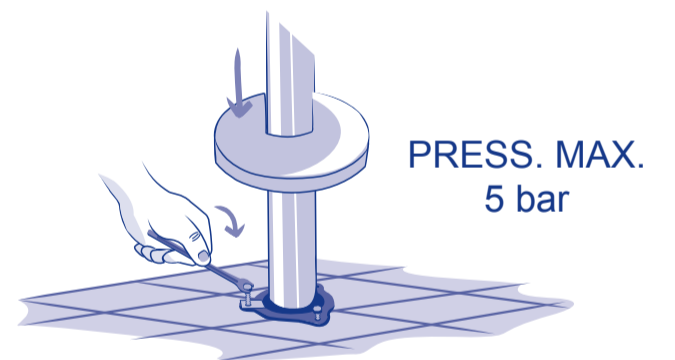
5.3



6.1

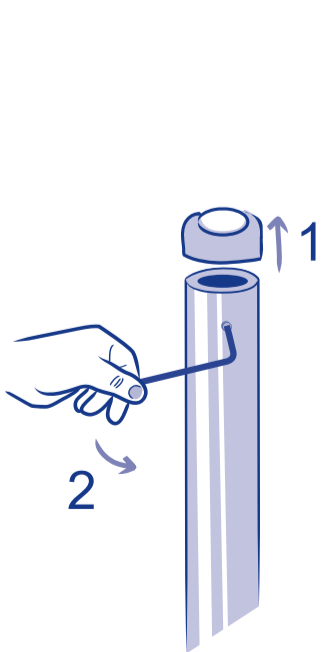


6.2

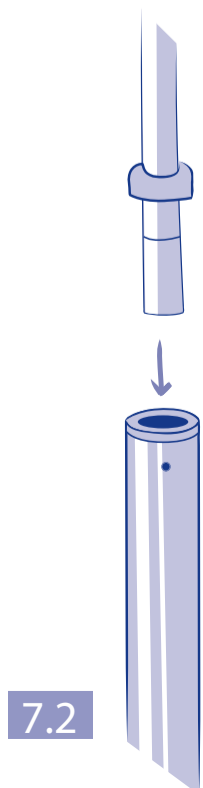


PRESS. MAX.
5 bar

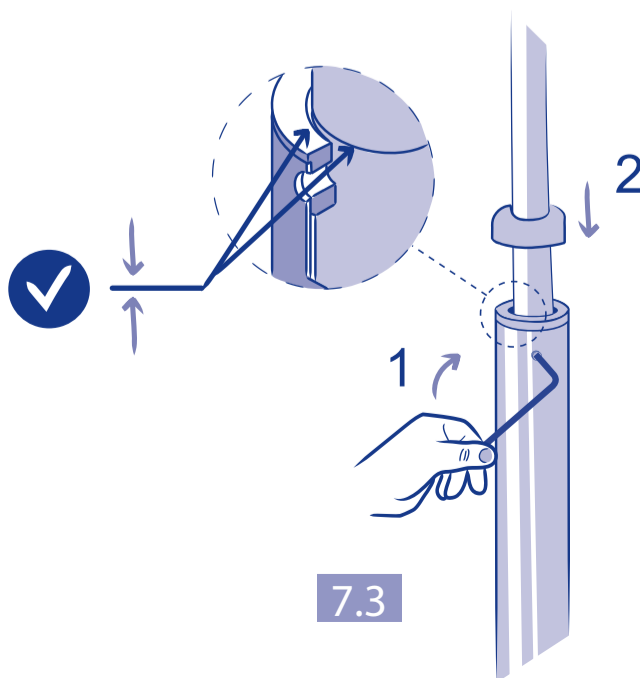
6.3



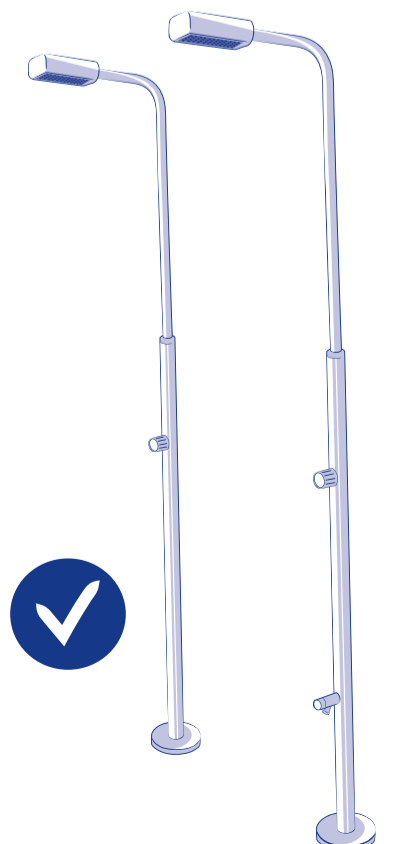
7.1



7.2



7.3



✓