

EN

SALT ELECTROLYSIS SYSTEM

FR

SYSTÈME D'ÉLECTROLYSE SALINE

ES

SISTEMA DE ELECTROLISIS SALINA

IT

SISTEMA PER L'ELETTROLISI DEL SALE

DE

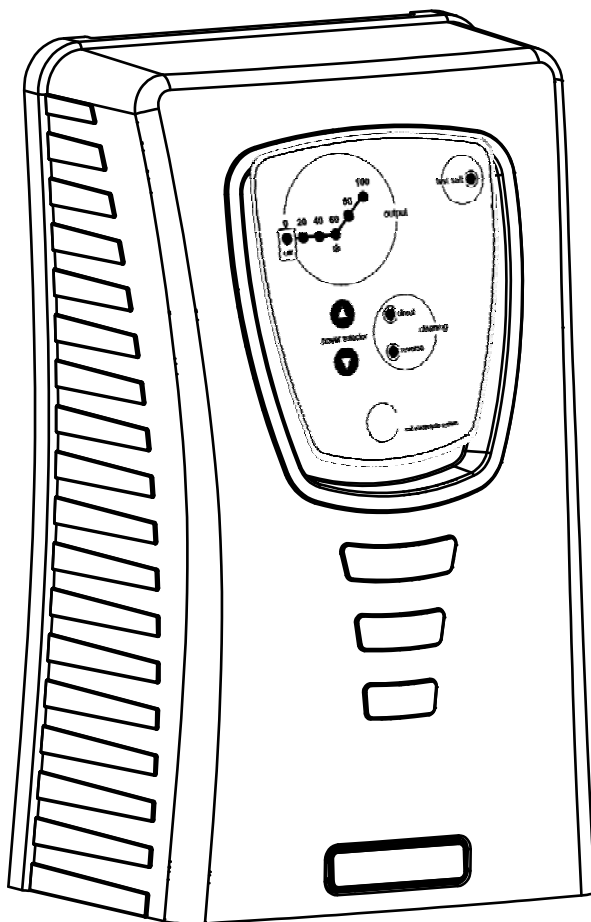
SALZ-ELEKTROLYSE-SYSTEM

PT

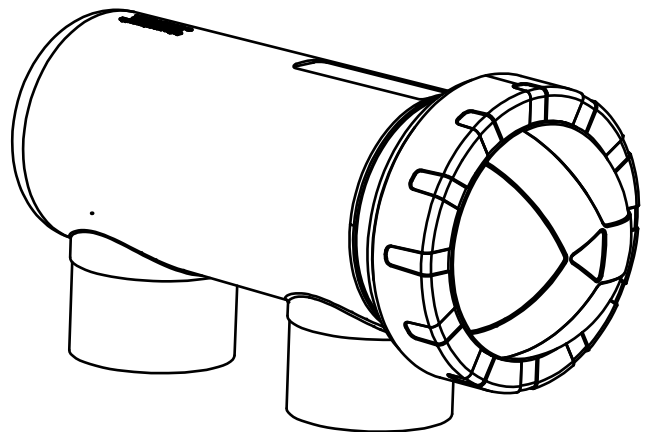
SISTEMA DE ELECTRÓLISE SALINA

ND

ZOUTELEKTROLYSESYSTEME



Model. MOD. 7 /PH
MOD. 12 /PH
MOD. 21 /PH
MOD. 30 /PH
MOD. 40 /PH



INSTALLATION AND MAINTENANCE MANUAL
MANUEL D'INSTALLATION ET D'ENTRETIEN
MANUAL DE INSTALACION Y MANTENIMIENTO
MANUALE DI INSTALLAZIONE E MANUTENZIONE
EINBAU-UND BETRIEBSANLEITUNG
MANUAL DE INSTRUÇÕES E MANUTENÇÃO
INSTALLATIE- EN ONDERHOUDSHANDLEIDING



IMPORTANT: The instruction manual you are holding includes essential information on the safety measures to be implemented for installation and start-up. Therefore, the installer as well as the user must read the instructions before beginning installation and start-up. Keep this manual for future reference.



Disposal of waste electrical and electronic domestic systems in the European Union

All the products marked with this symbol indicate that the product shall not be mixed or disposed with your household waste at their end of use. It is responsibility of the user to eliminate this kind of wastes depositing them in a recycling point adapted for the selective disposal of electrical and electronic wastes. The suitable recycling and treatment of these wastes contributes in essential way to the preservation of the Environment and the health of the users. For further information regarding the points of collection of this type of wastes, please contact to the dealer where you acquired the product or to your municipal authority.

The instructions given in this manual describe the operation and maintenance of MOD. XX and MOD. XX-PH electrolysis systems. For optimum performance of the salt electrolysis systems, we recommend you to follow the instructions given below:

1. CHECK THE CONTENTS OF THE PACK: _____

You should find the following elements inside the box:

- Power supply.
- Electrolysis cell.
- pH sensor (only in MOD. XX-PH systems).
- Electrode holder (optional in MOD. XX-PH systems).
- Calibration solutions pH 7.0 (green) / pH 4.0 (red) (only in MOD. XX-PH systems).
- CEE22 (M) connector for dosage pump (only in MOD. XX-PH systems).
- Operation Manual.

2. GENERAL FEATURES: _____

When the salt electrolysis system is installed, a quantity of salt must be dissolved into the swimming pool water. This salty water then passes through the electrolysis cell that is located in the plant room. The salt electrolysis system consists of two elements: an electrolysis cell and a power supply. The electrolysis cell contains a quantity of titanium plates (electrodes) and when a weak electrical current is passed through the plates inside the electrolysis cell, there is chlorine production.

Maintaining a level of chlorine in swimming pool water keeps the water sanitised and healthy to swim in. The salt electrolysis system will manufacture chlorine whenever the pool circulation system (pump and filter) is operational.

The power supply is provided with various safety devices, which are activated in case of irregular operation of the system, as well as a microprocessor driven control system.

The salt electrolysis systems have an automatic cleaning system that avoids scale formation on the electrodes. Moreover, MOD. XX-PH systems include a built-in pH controller.

3. SAFETY WARNINGS AND RECOMMENDATIONS: _____

- The equipment should be assembled and handled by truly qualified people.
- Current electrical and accident prevention regulations should be followed.
- Under no circumstances will the manufacturer be held responsible for the assembly, installation or start-up, nor any handling or fitting of components unless they are carried out on its premises.
- The salt electrolysis systems operate at 230VAC, 50/60 Hz. Do not attempt to alter the system to operate at a different voltage.
- Check that all the electrical connectors are well tightened to avoid false contacts and their consequent overheating.
- Before installing or replacing any component, disconnect the equipment from the mains, and use exclusively spare parts supplied by the manufacturer.
- Taking into account the fact that the equipment produces heat, it must be installed in places with sufficient ventilation. Fan openings should be kept free of any element that could obstruct them. The equipment should not be installed near flammable materials.
- The salt electrolysis systems have an IP24 protection degree. They should never be installed in places susceptible to flooding.

POWER SUPPLY:

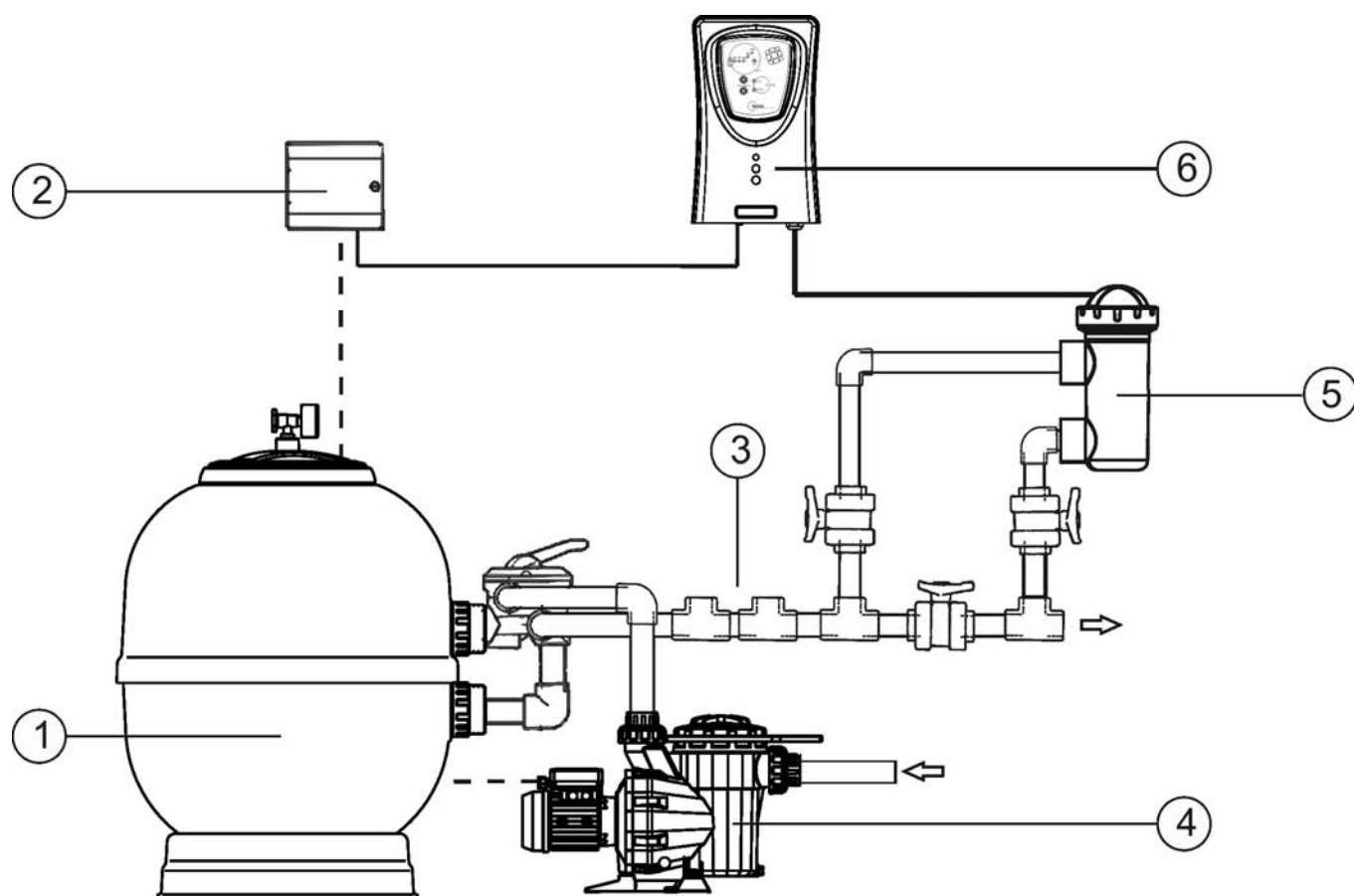
DESCRIPTION	MODEL				
	MOD.7 MOD.7 PH	MOD.12 MOD.12 PH	MOD.21 MOD.21 PH	MOD.30 MOD.30 PH	MOD.40 MOD.40 PH
Standard working voltage	230 V AC, 50 Hz./60 Hz.				
Output (dc)	3.5 A x 2	6 A x 2	3.5 A x 6	6 A x 5	6.5 A x 6
Producción (g/h)	6 - 7	10 - 12	17 - 21	24 - 30	31 - 40
Pool volume (m ³) Warm: 16 - 24°C Hot: +25°C	40 25	60 50	100 80	160 120	200 160
Flow detector	Gas detector				
Salinity /Temperature range	3 - 12 g./l. / +15 - 40 °C (59 - 104°F)				
Electrodes	SELF-CLEANING coated Titanium Estimated lifetime: 8.000 - 10.000 hours of operation (depending on water quality) ⁽²⁾				
Production control	0 - 100 % (5 production levels)				
Polarity switch	Programmable: 2 ⁽¹⁾ / 3 hours (jumper in control board) + test mode				
Salt level protection	Automatic protection of output current				

⁽¹⁾ Factory default.⁽²⁾ Under ideal conditions: salinity (6 g/l), pH (7.2), water hardness (120 mg/l) and minimum flow rate.**ELECTROLYSIS CELL**

DESCRIPTION	MODEL				
	MOD.7 MOD.7 PH	MOD.12 MOD.12 PH	MOD.21 MOD.21 PH	MOD.30 MOD.30 PH	MOD.40 MOD.40 PH
Minimum recirculation flow	1 m ³ /h	2 m ³ /h	3 m ³ /h	5 m ³ /h	6 m ³ /h
Electrode number	3	5	7	11	13
Material	Methacrylate derivate				
Pipe connections	Gluing with PVC adhesive Ø 63 mm				
Max. Recommended pressure	1 Kg./cm ²				
Working temperature	Less than 40°C (104 °F)				

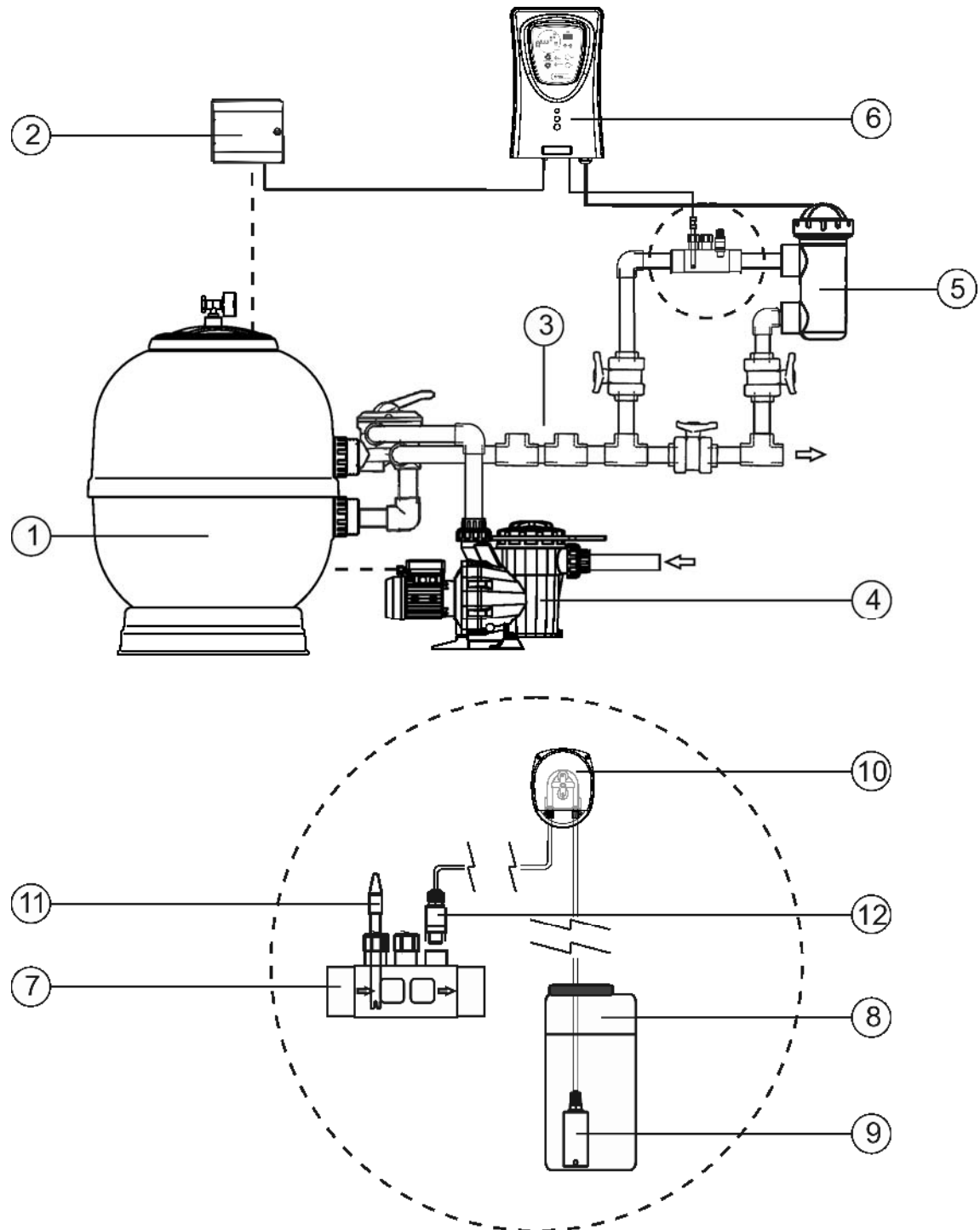
PH CONTROLLER (only in MOD. XX-PH models)

DESCRIPTION	MODEL				
	MOD.7 PH	MOD.12 PH	MOD.21 PH	MOD.30 PH	MOD.40 PH
Measure range	0.0 - 9.9 (pH)				
Control range	7.0 - 7.8 (pH)				
Precision	± 0.1 pH				
Calibration	Automatic, with calibration solutions				
Control output [pH]	One output 230 VAC / 500 mA for dosage pump connection				
pH sensor	Epoxy body, 12x150 mm., 0-80°C (32 - 176°F) blue, range 0 - 12 (pH)				



- 1.- Filter.
- 2.- Control panel.
- 3.- Other equipment (heat exchanger, UV, etc.).
- 4.- Pump.
- 5.- Electrolysis cell.
- 6.- Power supply.

Fig.1 Recommended installation diagram (MOD. XX models).



- | | |
|------------------------|----------------------------------|
| 1.- Filter. | 7.- Electrode holder (optional). |
| 2.- Control panel. | 8.- pH-minus tank. |
| 3.- Other equipment. | 9.- Intake filter |
| 4.- Pump. | 10.- Dosage pump. |
| 5.- Electrolysis cell. | 11.- pH sensor. |
| 6.- Power supply. | 12.- Injection valve. |

Fig.2 Recommended installation diagram (MOD. XX-PH models).

4. INSTALLATION:

4.1. Installation of the power supply

Always install the POWER SUPPLY of the salt electrolysis system VERTICALLY on a solid and rigid surface (wall) as shown in the recommended installation diagram (Figs. 1,2). In order to guarantee a good state of conservation, the POWER SUPPLY should be installed in a well-ventilated dry place. Due to IP degree of the POWER SUPPLY the salt electrolysis system should not be installed outdoors. The POWER SUPPLY should be installed a bit distant from the electrolysis cell so that it cannot accidentally suffer water splashes.

Beware of corrosive atmosphere formation due to pH decreasing solutions (specially, those ones based on hydrochloric acid "HCl"). Do not install the salt electrolysis system near to any stores of these chemicals. We strongly recommend the use of chemicals based on sodium bisulphate or diluted sulphuric acid. Power supply must be connected to the electrical control box of the pool, so that the pump and the salt electrolysis system are turned on (and off) simultaneously.

4.2. Installation of the electrolysis cell

The electrolysis cell is made of a transparent polymer in whose interior the electrodes are placed. The electrolysis cell must be always installed indoors and **after the pool filter**, and after any other equipment that may be present (heat pumps, control systems, etc.).

The installation of the cell should allow easy access to the installed electrodes by the user. It is highly recommended to install the electrolysis cell in a place of the pipe that can be easily isolated from the rest of the installation by two valves, so that the tasks of maintenance can be carried out with no need of partial or total draining of the swimming pool.

Where the cell is installed on a by-pass (recommended option), a valve to regulate the flow must be introduced. Prior to installation, please consider the following commentaries:

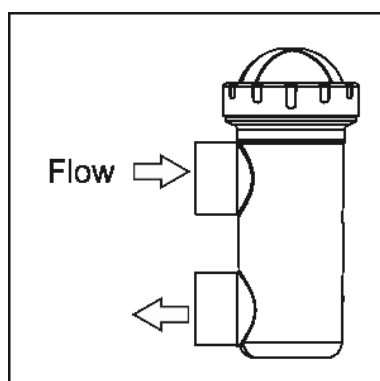


Fig. 3

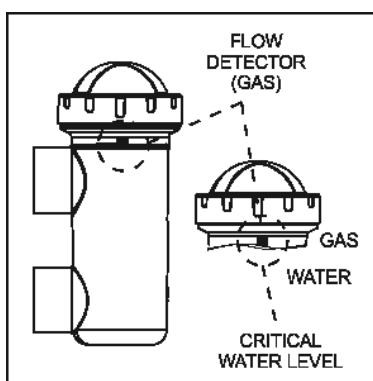


Fig. 4

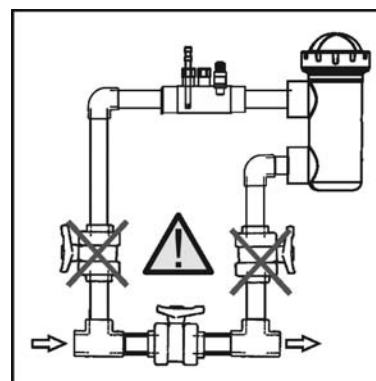


Fig. 5

1. Flow direction marked in the cell must be respected. Recirculation system must guarantee the minimum flow stated in the Table of Technical Specifications for each model (see Section 9).

2. The system flow detector activates if there is not recirculation (flow) of water through the cell or if flow is very low. If electrolysis gases are not properly removed through the electrolysis cell, the generated gas bubble electrically isolates the auxiliary electrode (electronic detection). Therefore, when locating the electrodes in the cell, the level sensor (auxiliary electrode) will have to be located in the higher area of the cell. The safest orientation is shown in the recommended installation diagram.

3. **WARNING:** if the in-out valves of the electrolysis cell are closed simultaneously, the flow detector (gas detector) will not work correctly, with the consequent risk of cell breakdown. Although this situation is extremely unusual, **it can be easily avoided once the equipment has been installed, by locking at opened position the return valve to the swimming pool**, so it cannot accidentally be manipulated.

Other configurations would only be acceptable in the case that they allow for detection of gas bubbles when water flow through the cell is too low.

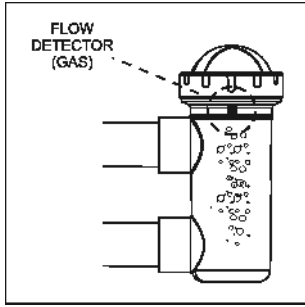


Fig. 6

RECOMMENDED Installation

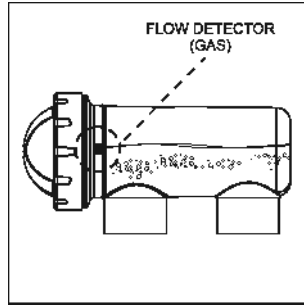


Fig. 7

ALLOWABLE installation

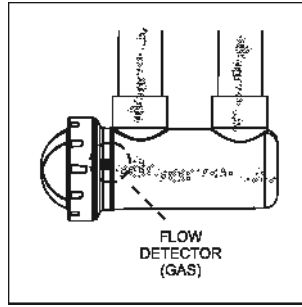


Fig 8

NOT ALLOWED installations

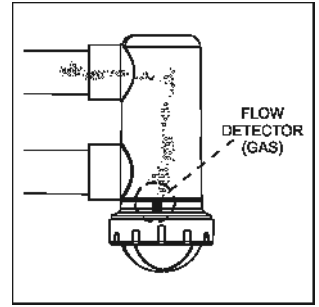


Fig 9

The electrodes must be inserted in the electrolysis cell, fitting the central electrode through the guides located at the quadrants of the cell.

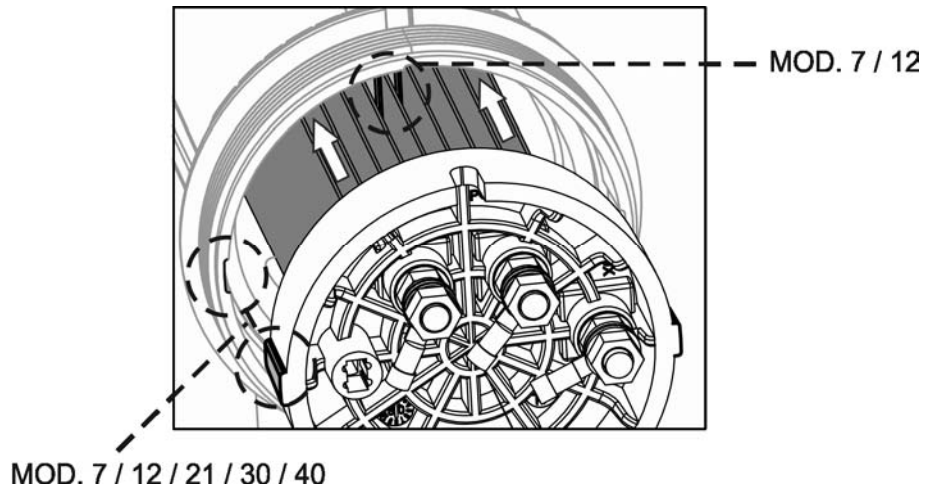


Fig 10

4.3. Electrical connections of the electrolysis cell

Make the interconnection between the electrolysis cell and the power supply according to the following scheme. Due to relatively high current intensity circulating do not modify or cut either the length or section of the supplied cables without making a previous consultation to an authorized distributor. The cable connecting the electrolysis cell and the power supply should never exceed the maximum length recommended in this Manual: MOD.7 (3.5 A), 15 m.; MOD.12 (6 A), 8 m.; MOD.21 (3.5 A), 30 m.; MOD.30 (6 A), 20 m; MOD.40 (6 A), 20 m.

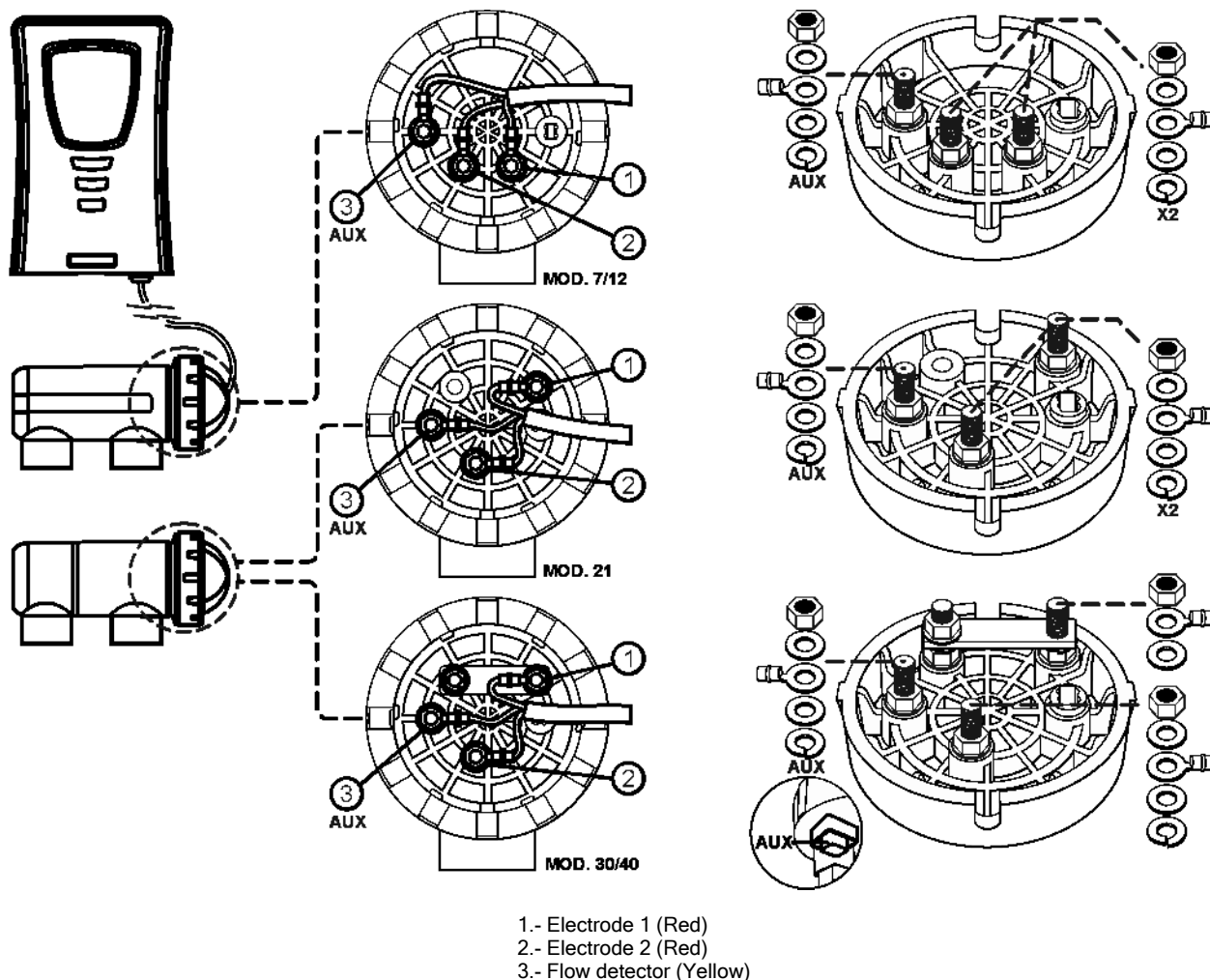


Fig.11

4.4. Installation of the pH sensor (only in MOD. XX-PH models)

1. Insert the pH sensor into their corresponding places of the holder (Fig. 12)
2. To that purpose, loosen the connection screws and insert the sensor into the holder.
3. The sensors must be installed in the holder so that it is guaranteed that the sensors located in their ends are always submerged in the water circulating through the pipe.
4. **Always install the pH sensor vertically or with a maximum inclination of 40° (Fig. 13).**

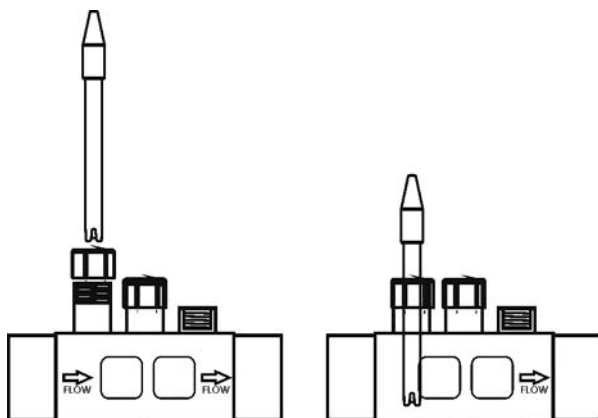


Fig. 12

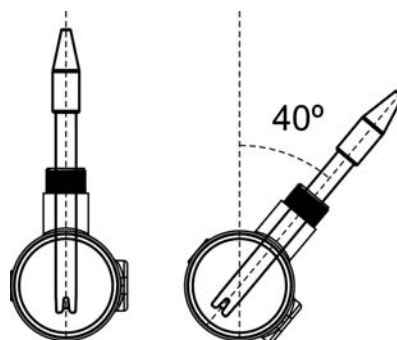


Fig. 13

4.5. **Controls and indicators**

Salt electrolysis systems are equipped with a control panel in the front (Figs. 14,15).

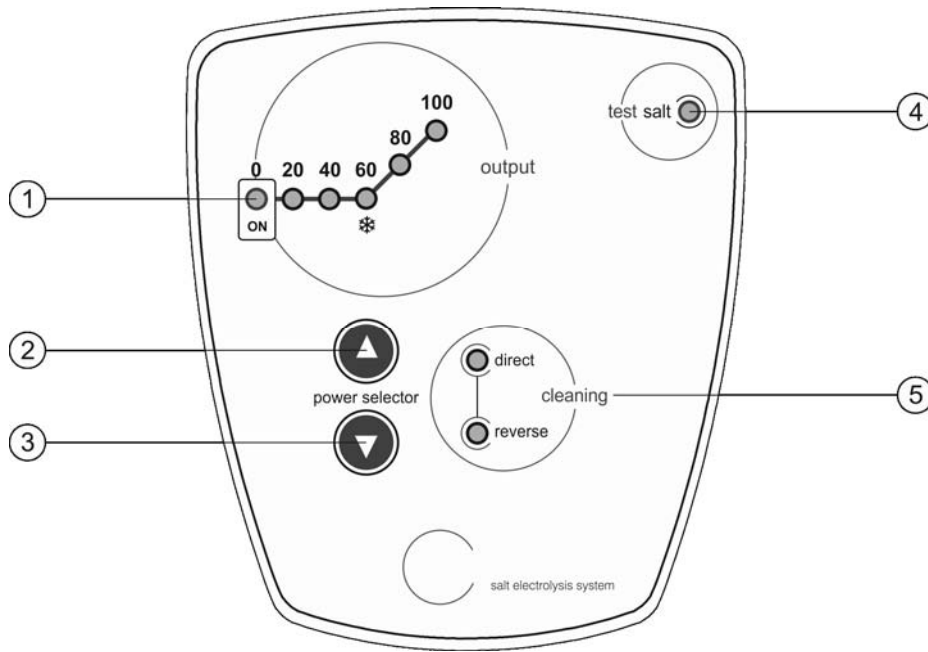


Fig. 14. Control panel of MOD. XX systems

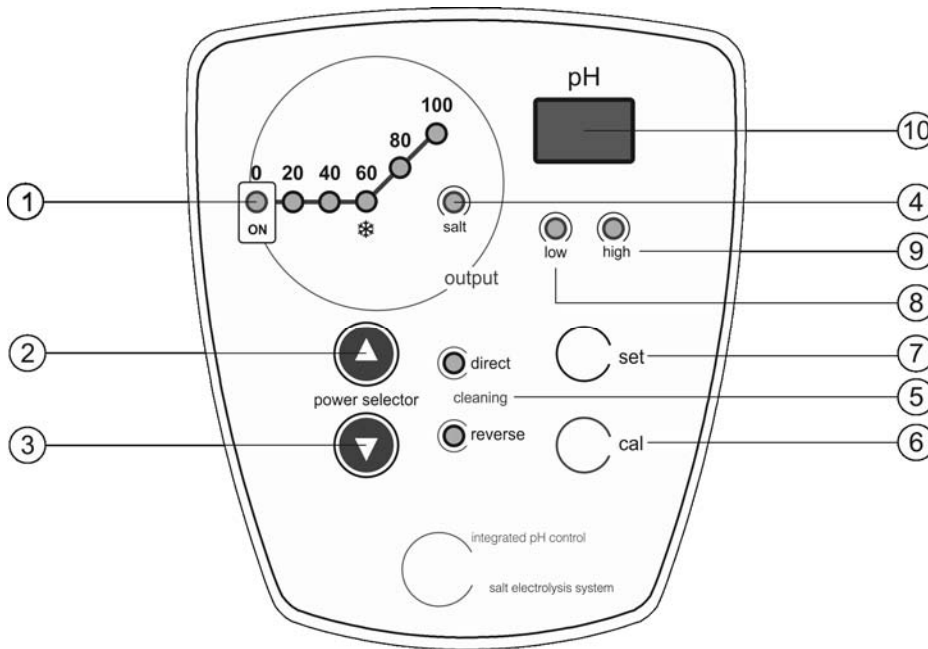


Fig. 15. Control panel of MOD. XX-PH systems

- | | |
|---|--|
| 1. Production scale (%) | 6. Key for PH CALIBRATION MODE |
| 2. Key "▲" (increase production) | 7. Key of pH setpoint programming |
| 3. Key "▼" (decrease production) | 8. Indicator of LOW PH ALARM (< 6.5) |
| 4. SALINITY ALARM (high/low) | 9. Indicator of HIGH PH ALARM (> 8.5) |
| 5. SELF-CLEANING indicators (DIRECT/REVERSE polarity) | 10. INFORMATION display (water pH indication/setpoint) |

4.6. **Programming and control**

Besides the basic operations, the salt electrolysis system has an input for an external control by means of an ORP controller, residual chlorine, etc.; as well as one for the adjustment of the production of the equipment on activation of the automatic swimming pool cover. Moreover, it permits the configuration of three electrode SELF-CLEANING modes: TEST, 2/2, 3/3 hours.

- **ELECTRODE SELF-CLEANING System:** the leds [5] indicate electrode polarisation status (direct/reverse). The reversal frequency can be selected by means of jumper "JP1" on the system control panel (Fig. 16). This configuration will become effective by disconnecting and connecting again the equipment.
- **AUTOMATIC COVER control:** the system has an input for a potential-free contact. When the contact connected to this input is closed (automatic cover closed), the electrolysis system reduces its production to **10%** of its rated value (the "20%" led of the production scale will stay on).
- **EXTERNAL Control:** the system has an additional auxiliary input for a potential-free contact. This input can be used to make the electrolysis system interact with an external controller (ORP, RESIDUAL CHLORINE, PHOTOMETER, etc.). When the contact connected to this input is OPEN, the electrolysis system is stopped. To activate this input, place jumper "JP2" located on the unit's control panel. This configuration will become effective by disconnecting and connecting again the equipment.

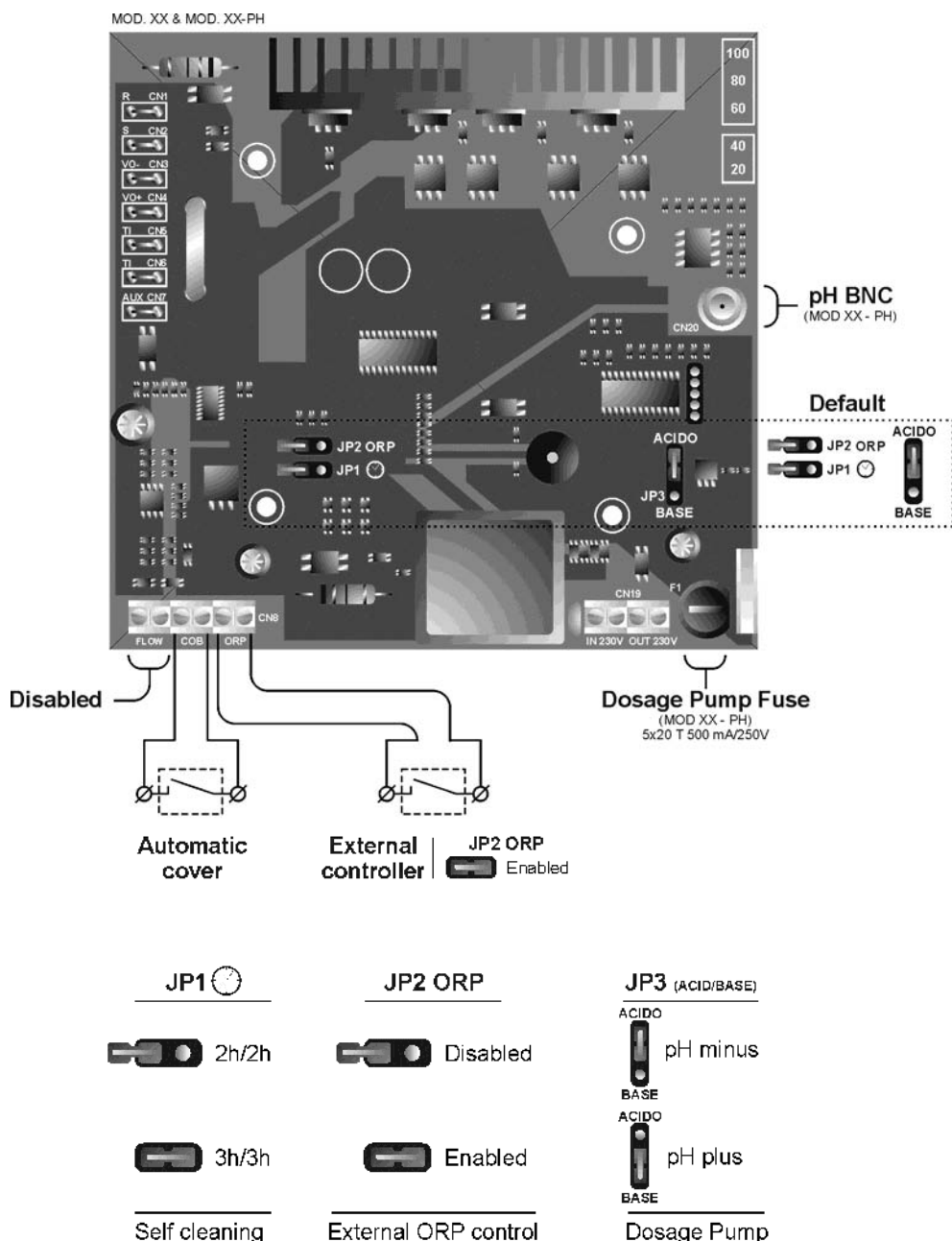


Fig. 16

4.7. **Cover detaching**

1. Remove the embellisher (A) situated in the cover.
2. Unscrew the cover fixation screw (B).
3. Remove the cover by sliding it upwards and outwards.

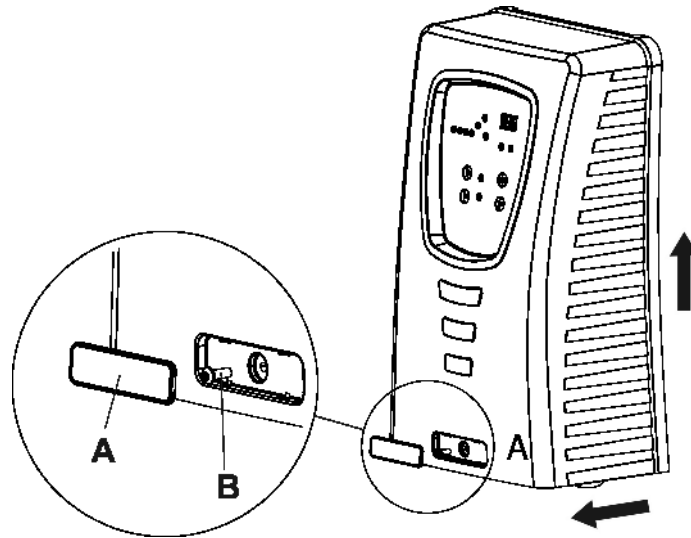


Fig. 17

4.8. **Start-up**

1. Check that the filter is 100% clean, and ensure that the swimming pool and the installation do not contain copper, iron or algae. Ensure that any heating equipment on the pool is suitable for use in salt water.
2. Ensure that the swimming pool water is balanced. Balanced water enables the chlorine that is produced to be used more efficiently and effectively, and ensures that the life of the electrodes is prolonged. Water should be maintained within the parameters shown below:
 - a) pH must be in the range 7.2-7.6
 - b) Total alkalinity must be in the range 80-120 ppm
3. Although the salt electrolysis system can work at a salinity range of 3 - 12 g/l, try to maintain the recommended minimum salt level of 5 g/l, by adding 5 kg per m³ of water if the water does not already contain salt. Always use common salt (sodium chloride), without additives like iodides, that is "apt for human consumption". Never add the salt through the cell. Add it directly to the swimming pool or into the balance tank.
4. When adding the salt, and in case the swimming pool is going to be used immediately, carry out a treatment with chlorine. An initial dose of 2 g/m³ of trichloroisocyanuric acid may be added.
5. Prior to starting up the salt chlorinator, disconnect the power supply to the salt chlorinator and run the pump for 24 hours to ensure that the salt is completely dissolved.
6. Next, reconnect the power supply and turn on the salt chlorinator, locating the production level so that free chlorine concentration stays within the recommended range (0.5 - 1.5 ppm).

NOTE: in order to establish the free chlorine level you will need to use a test kit.

7. In outdoor swimming pools it is advisable to maintain a level of 25-30 g/m³ of chlorine stabiliser (cyanuric acid) in the pool. A level of 75 ppm should be never exceeded. This will help to stop the chlorine that is in the water from being destroyed by the sun.

5. OPERATION:



5.1. **System on stand-by**

The system goes into "STAND-BY" when the "▼" [3] key is pressed until the "0%" light blinks. When this occurs, there is no production in the electrolysis cell.

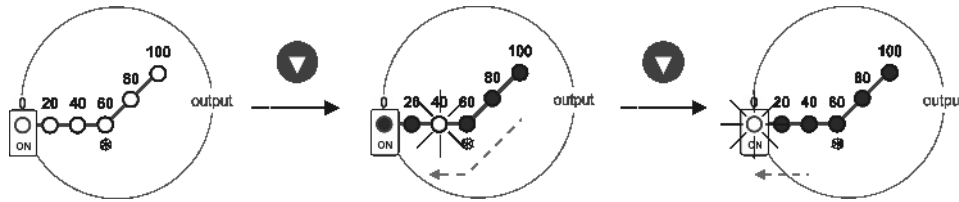


Fig. 18

5.2. **Production level selection**

To select the desired production level, press the "▼" [3] / "▲" [2] keys until the production level light blinks. The system will set its production to the desired level after a few seconds.

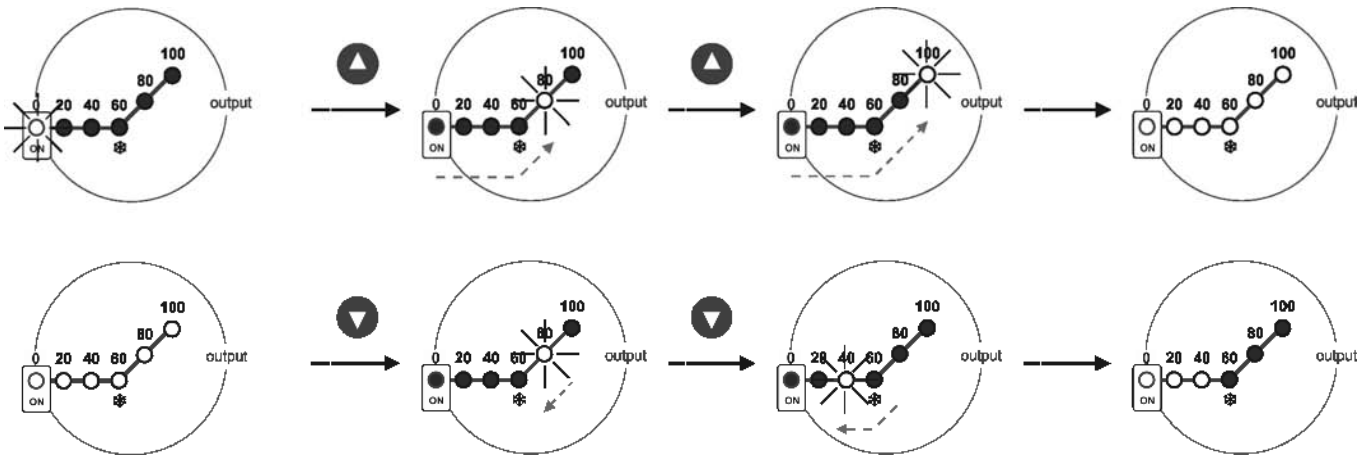


Fig. 19

The production setpoint could be visualized at any time by pressing once the "▼" [3] key or the "▲" [2] key.

❄️ WINTER Mode: during periods of low water temperature, where the chlorine demand will be low, select a production level [1] of 60%, because in this way power consumption and lifetime of the package of electrodes are optimized.

5.3. **TEST Mode**

To enter TEST MODE, reduce the production level to "0%" by pressing the key "▼" [3] in a row (Fig. 20)

Once the system has stopped, hold down this key for 10 seconds. The system will indicate that it has entered TEST MODE and all the leds will light up for one second. When the system is in TEST MODE, the polarity leds "cleaning" [5] blink.

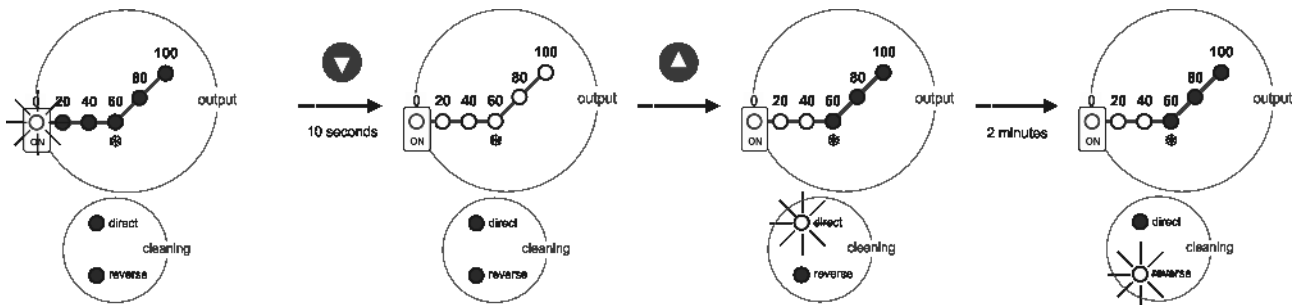


Fig. 20

In TEST MODE, the system resets the polarity reversal timer and the output level selected. In this mode the system is fully operational, making polarity reversal of the electrodes every 2 minutes. To quit TEST MODE, the system must be switched off from the 230 Vac mains for a few seconds. Switching on the system again, it automatically returns to the previous self-cleaning program.

5.4. Integrated pH controller (MOD-XX PH models)

The integrated pH controller is supplied with a default factory calibration and programmed with the following parameters:

SETPOINT (SET) pH=7.2"

IMPORTANT: In order to have a correct regulation of the pH value, the Total Alkalinity of the pool water must be maintained in the range 60-120 ppm CaCO₃. Use a pool water test kit to check the Total Alkalinity and adjust manually if necessary.

5.4.1. CONNECTION OF THE PH SENSOR

Connect the pH sensor provided with the unit to the corresponding BNC connector located in the unit's base (Fig. 21).

5.4.2. CONNECTION OF THE DOSAGE PUMP

The MOD. XX-PH systems have a connector on their base for connecting a dosage pump to control the pH of the water in the pool. The dosage pump can be connected through the CEE22 connector supplied for that purpose with the equipment (Fig. 21).

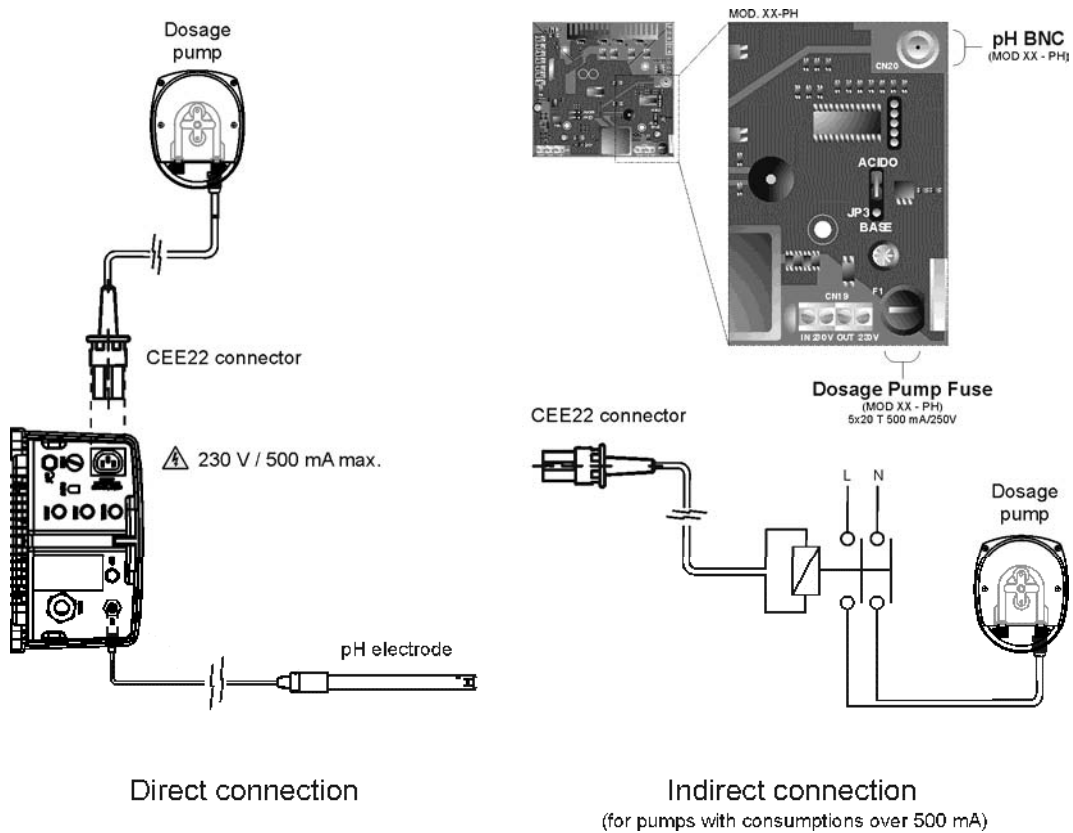


Fig. 21

5.4.3. PH SETPOINT PROGRAMMING

Keep the "SET" [7] key pressed until the screen [10] the desired pH value within the 7.0 - 7.8 range. Release after selection.

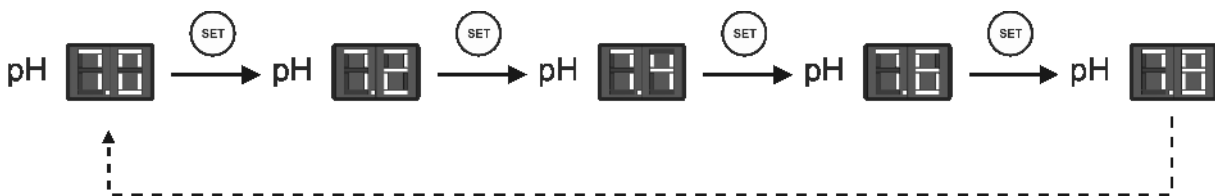


Fig. 22

The pH setpoint could be visualized at any time by pressing once the "SET" [7] key.

5.4.4. SAFETY STOP CONFIGURATION OF THE DOSAGE PUMP (PUMP-STOP FUNCTION)

The integrated pH controller has a security system (PUMP-STOP FUNCTION) acting on the dosage pump which allows to avoid the following situations:

- Damages caused by the dry operation of pump (depleted pH-minus product).
- Over-dosage of pH-minus product (damaged or aged sensor).
- PH regulation problems due to high alkalinity in the water (newly filled pool, high carbonate levels).

When the PUMP-STOP FUNCTION is enabled (factory default), the system stops the dosage pump after a programmed time without having reached the pH setpoint.

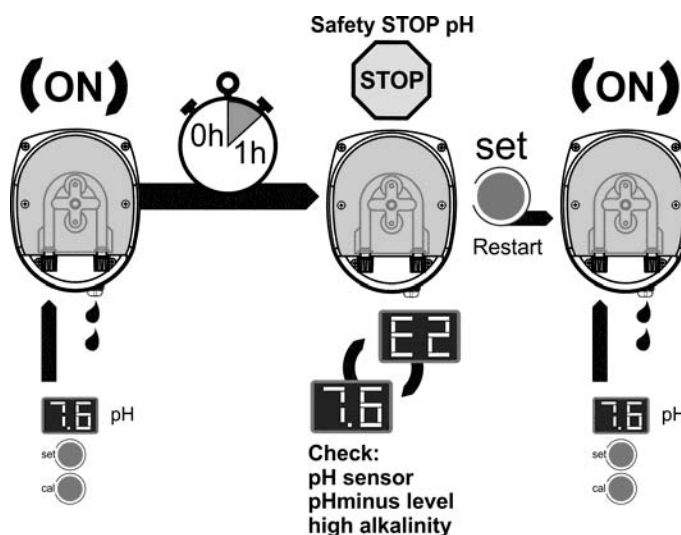


Fig. 22b

The PUMP-STOP FUNCTION is factory set to 60 minutes. To change this value, follow the next procedure.

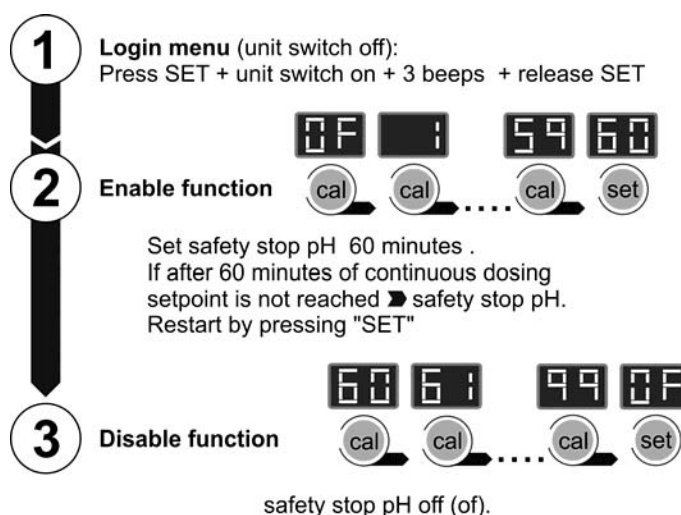


Fig. 22c

5.5. Alarms

- **HIGH SALT LEVEL**

If too much salt has been added, the power supply will reduce the level of power with regard to that which was selected automatically. The "salt" [4] led will stay on. In this case, empty part of the swimming pool (for example 10%), and add fresh water to reduce the salt concentration. To know the exact level of salt, we recommend the use of a portable salinity-temperature meter.

- **LOW SALT LEVEL**

If the level of salt in the swimming pools water were below the recommended level, the power supply may not reach the level of output selected. The "salt" [4] will blink. It is possible that the system indicates salt levels below the real ones if the water temperature is less than 20°C or if the electrode package has reached the end of its lifetime. In this case, determine the level of salt in the water and add the amount of salt needed. The type of common salt (NaCl) indicated for salt electrolysis should have no additives (anti-clogging agents, iodides) and should be suitable for human consumption. To know the exact level of salt we recommend the use of a portable salinity-temperature meter.

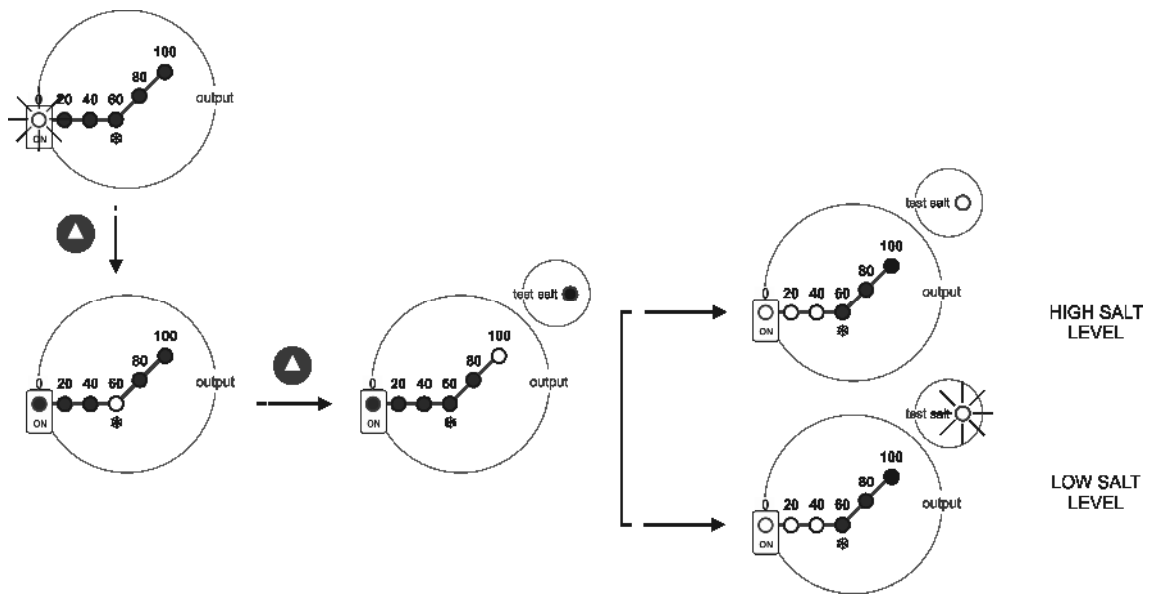
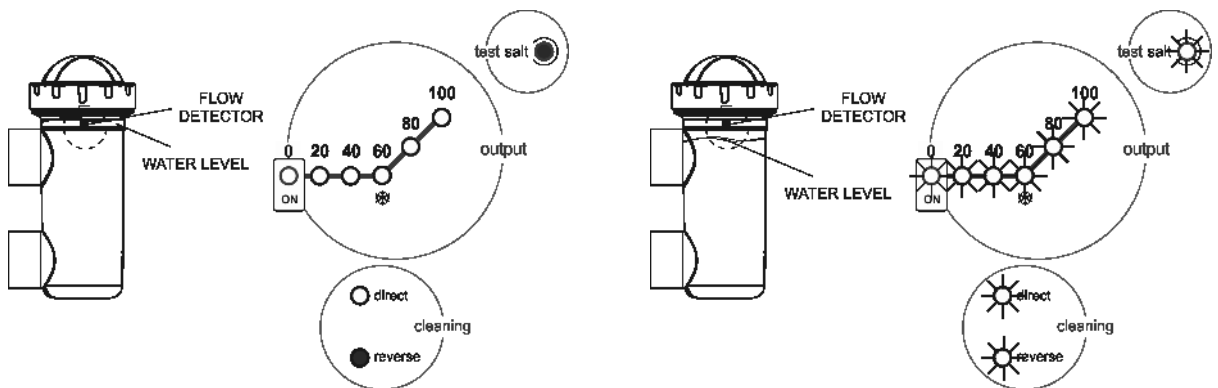


Fig. 23

- **WATER LEVEL IN CELL/ FLOW DETECTOR (GAS)**

If an air or gas bubble forms at any time at the top of the electrolysis cell and the FLOW DETECTOR is not submerged, the system will automatically switch off production and all of the leds of the control panel will blink. System automatically resets when water flows through the cell again or the bubble disappears.



1. Submerged gas detector. System running.

2. Gas detected. Insufficient flow. System off.

Fig. 24

- **EXTERNAL CONTROL [JP2] ACTIVATED**

When the external controller detects a value over the fixed setpoint, it switches off production automatically and the "0%" led of the production scale [1] flashes.

- **PH VALUE OUT OF RANGE (only in MOD. XX-PH models)**

The integrated pH control system has two ALARM lights which come on whenever a pH value of less than 6.5 "low" [8] or more than 8.5 "high" [9] is detected. When the regulator detects an active pH alarm, it opens the control output of the dosage pump (pH).

6. MAINTENANCE:

6.1. Maintenance of the electrolysis cell

The electrolysis cell must be kept in suitable conditions to ensure a long lifetime. This salt chlorination unit has an automatic electrode cleaning system that helps to prevent scale build-up on the electrode surface. If the salt chlorination system is operated in accordance with these instructions, and in particular if the pool water balance is kept within the recommended parameters, it should not be necessary to manually clean the electrodes. However, if the pool water and the salt chlorination system are not maintained in line with these instructions then it may be necessary to manually clean the electrodes following the procedure outlined below:

1. Cut off the 230 Vac unit's supply.
2. Unscrew the closing nut located at the end where the electrodes are located, and remove the electrode package.
3. Use diluted hydrochloric acid (a part of commercial acid in 10 parts of water), submerging the electrode package in the prepared solution for no more than 10 minutes.
4. NEVER SCRAPE OR SWEEP THE CELL OR THE ELECTRODES.

The electrodes of a salt chlorination system comprise of a titanium sheet coated with a layer of noble metal oxides. The electrolysis processes that take place on their surface produce a progressive wearing down - the electrodes do have a finite life. In order to optimise electrode lifetime, please consider the following aspects:

1. Although all salt electrolysis units are SELF-CLEANING, a prolonged operation of the system at pH values over 7.6 in waters of high hardness can produce scale formation on the surface of the electrodes. Scaling on the electrodes surface will progressively deteriorate the coating, causing a decrease of lifetime.
2. Manually cleaning/washing the electrodes (as described above) will shorten their life.
3. Prolonged operation of the system at salinities lower than 3 g/l (3000 ppm) will cause a premature deterioration of the electrodes.
4. Frequent use of copper based algacides will promote the formation of copper deposits on the electrodes, progressively damaging the coating. Remember that chlorine is the best algacide.

6.2. Calibration of the pH sensor (only in MOD. XX-PH models)

The integrated pH-controller has two calibration modes of the pH-electrode: "FAST" and "STANDARD". We recommend carrying out it at least once a month during the period of use of the swimming pool.

6.2.1. "FAST" MODE

"FAST" MODE allows the calibration of the pH-electrode when there are small reading deviations **with no need to extract the sensor from the installation or to use calibration solutions**.

PROCEDURE:

1. Be sure the point of insertion of the pH-sensor is flooded, and the pump is in recirculation.
2. Using a pH-test kit, measure the water pH of the swimming pool.
3. Press the "CAL" [6] approx. 5 seconds until the equipment beeps and release the key. The pH [10], screen will blink "7.0".
4. Keep the "SET" [7] key pressed until the pH-value previously measured in the water with the pH-test kit appears. Once reached, loosen and press "CAL" [6] key. If no error has been detected, the system will have been calibrated.

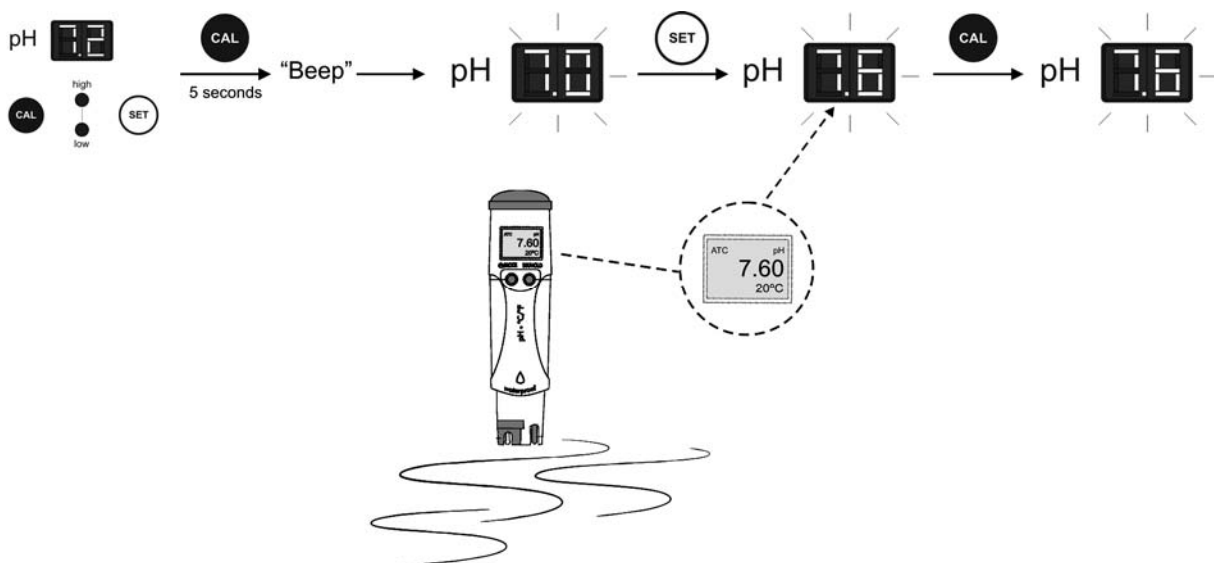


Fig. 25

6.2.2. "STANDARD" MODE

"STANDARD" MODE allows the precise calibration of the pH-sensor using two calibration solutions of pH 7.0 and 4.0, however this method requires that the **pH-sensor is removed from the installation**.

PROCEDURE:

IMPORTANT: before closing the by-pass valves, stop the system from control panel (see Section 5.1).

1. Extract the pH-sensor from the holder and wash it with tap water



Fig. 26

2. Press the "CAL" [6] key until the equipment beeps and, without releasing the key, press "SET" [7] for a few seconds until the pH screen [10] displays a blinking "7.0".
3. Gently shake the sensor to remove any possible drops of water and insert in the standard pH=7.0 solution (green). Gently shake for a few seconds and press "CAL" [6]. Once stabilised, the screen [10] will display a blinking "4.0".

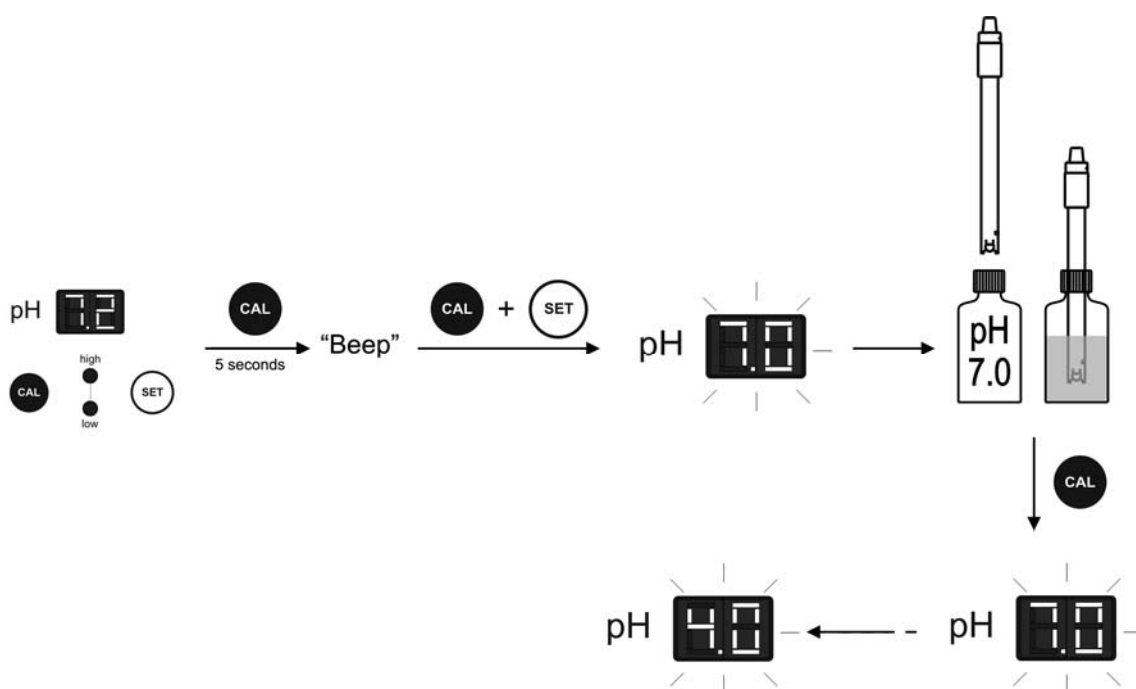


Fig. 27

4. Remove the sensor from the calibration solution and rinse it with tap water.
5. Shake the sensor smoothly so that any drops of water that may be adhered to the plastic body are removed and introduce it in the calibration solution pH=4.0 (red colour). Shake smoothly for a few seconds and press "CAL" [6] key. Once the measurement has stabilised, the pH-controller will automatically leave the calibration mode and will be operative.

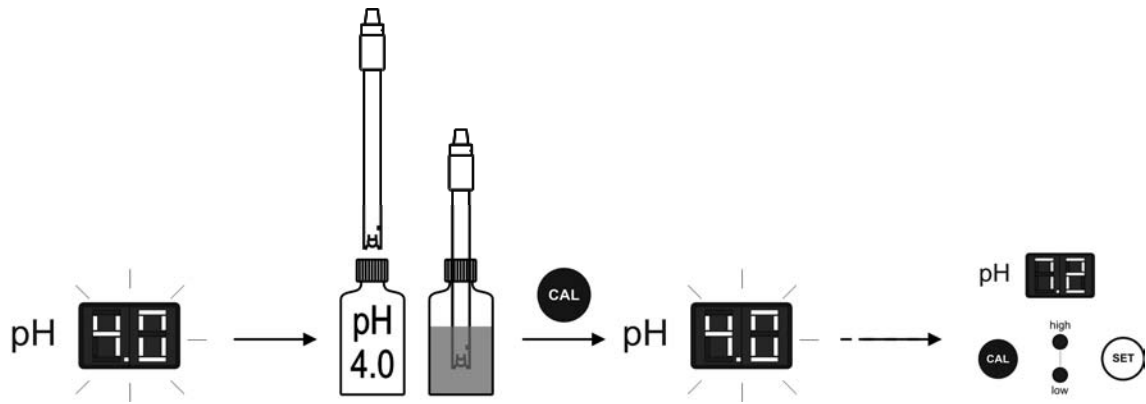


Fig. 28

ERROR MESSAGES:

pH If the calibration process is interrupted for whatever reason, the pH-controller will automatically leave the calibration mode if the intervention of the user is not detected in a few seconds. In this case, "E1" indication in the display [10] will appear.

pH If the pH value during the calibration process is very different from the expected one, (e.g., defective sensor, etc.), display [10] will indicate "E2", not allowing calibration.

pH If the pH measure is unstable during the calibration process, code "E3" will appear in display [10]. In addition, the pH-sensor calibration will not be allowed.

6.3. Maintenance of the pH sensor

1. Ensure that the sensor membrane remains moist all the time.
2. If the sensor is not going to be used for a long period, keep it submerged in a pH=4.0 conservation solution.
3. To clean the sensor, avoid the use of abrasive materials that can scratch the sensor surface.
4. **The pH sensor is a consumable part and will need to be replaced over a period of time.**

7. PROBLEMS / SOLUTIONS: _____

Any action required to solve possible problems in the equipment should always be performed with the equipment disconnected from the mains. Any problem not indicated in the following list should be solved by a qualified technician.

PROBLEM	SOLUTION
Production indicator always indicates "0" at all production levels	<p>Check the electrodes.</p> <p>Verify connections between power supply and the electrolysis cell.</p> <p>Check salt concentration.</p>
It is not possible to turn on the power supply.	<p>Check that the system is properly connected to 230 V/50-60 Hz in the control box of the pump.</p> <p>Check the estate of the fuse located at the bottom of the power supply.</p>
Free chlorine levels in the water are very low.	<p>Check that the system produces chlorine in pool jets.</p> <p>Verify that the water Chemicals parameters (pH, combined chlorine, isocyanuric acid, etc.) are correct.</p> <p>Increase filtering time.</p> <p>Add chlorine stabilizer (cyanuric acid) until a concentration of 25 - 30 g/m³ is achieved.</p>
pH controller always show extreme values, or readings are unstable.	<p>The cable of the pH sensor is damaged. Clean the contacts or replace the cable.</p> <p>The pH sensor has an air bubble in the membrane area. Hold the sensor in vertical position. Shake it lightly until the bubble moves up.</p> <p>Sensor fault. The connection cable is too long or it is too near to sources of electrical interference (motors, etc.). Replace the sensor. Locate the unit nearer to the sensor.</p>
Impossible calibration of the pH sensor	<p>Polluted or expired calibration solution.</p> <p>Blocked sensor membrane. Check the membrane is not damaged. Clean the sensor with diluted acid in water, shaking it lightly.</p> <p>Sensor fault. Replace the sensor.</p>
Slow response of the pH sensor	<p>Sensor electrostatically charged. During the calibration phase, the sensors should not be dried with paper or cloth. Clean it exclusively with water and shake it lightly.</p> <p>Insufficient renovation of the analyzed water (no flow through the sample point). Ensure that the tip of the sensor is submerged in the water at the sample point, and that no air bubbles are present.</p>

8. TECHNICAL SPECIFICATIONS:

TECHNICAL SPECIFICATIONS:

Standard working voltage

230V AC - 50/60 Hz.
Cable: 3 x 1.0 mm², leng. 2 m.

MOD. 7	0.2 A
MOD. 12	0.4 A
MOD. 21	0.4 A
MOD. 30	0.8 A
MOD. 40	0.9 A

Fuse

MOD. 7	1 A T (5x20 mm)
MOD. 12	2 A T (5x20 mm)
MOD. 21	2 A T (5x20 mm)
MOD. 30	3.15 A T (5x20 mm)
MOD. 40	4 A T (5x20 mm)

Output voltage

Cable 3 x 2.5 mm², long. 2 m.

MOD. 7	10.5 VDC / 3.5 A
MOD. 12	10.5 VDC / 6.0 A
MOD. 21	23.0 VDC / 3.5 A
MOD. 30	20.0 VDC / 6.0 A
MOD. 40	24.0 VDC / 6.5 A

Production

MOD. 7	6 - 7 g./h.
MOD. 12	10 - 12 g./h.
MOD. 21	17 - 21 g./h.
MOD. 30	24 - 30 g./h.
MOD. 40	31 - 40 g./h.

Minimum recirculation flow

MOD. 7	1 m ³ /h.
MOD. 12	2 m ³ /h.
MOD. 21	3 m ³ /h.
MOD. 30	5 m ³ /h.
MOD. 40	6 m ³ /h.

Electrode number

MOD. 7	3
MOD. 12	5
MOD. 21	7
MOD. 30	11
MOD. 40	13

Net weight (packaging included)

MOD. 7	9 Kg.
MOD. 12	11 Kg.
MOD. 21	13 Kg.
MOD. 30	15 Kg.
MOD. 40	17 Kg.

GENERAL FEATURES:

System control

- Microprocessor.
- Membrane keypad with control keys and operation indication leds.
- Control I/O: 2 inputs (potential-free contact type) for monitoring the automatic cover and external controller (ORP, RESIDUAL CHLORINE, etc.).
- Cell output: production control (5 discrete levels).
- Salinity / Temperature range: 3 - 12 g/l. / +15 - 40°C (59 - 104°F)
- Integrated pH control (only in MOD. XX-PH models).

Self-cleaning

Automatic polarity reversal

Working temperature

From 0°C (32°F) to +.50°C (125°F)
Cooling: natural convection

Material

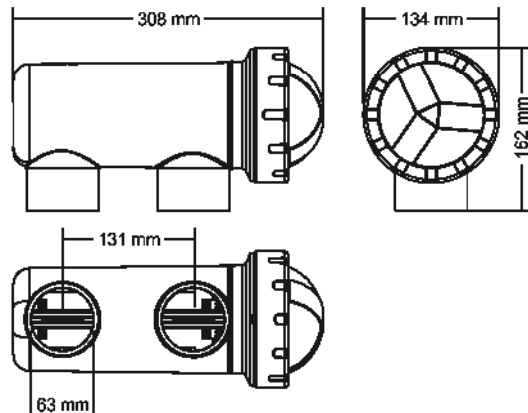
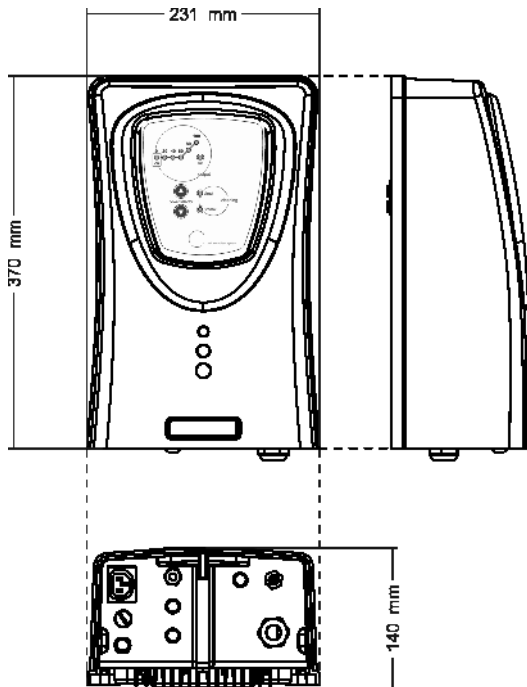
- Power supply
- ABS
- Electrolysis cell / Sensro holder
- Transparent methacrylate

pH Sensor (MOD. XX- PH models)

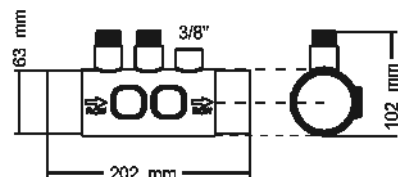
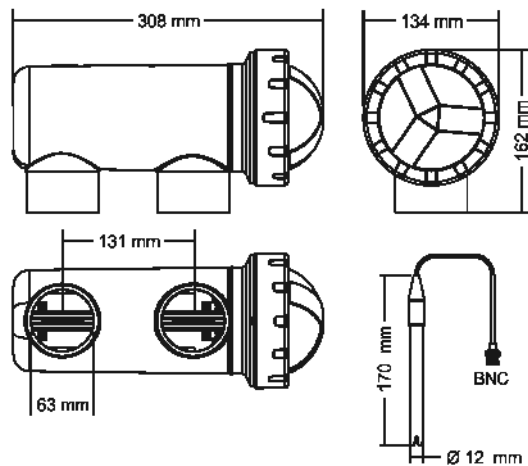
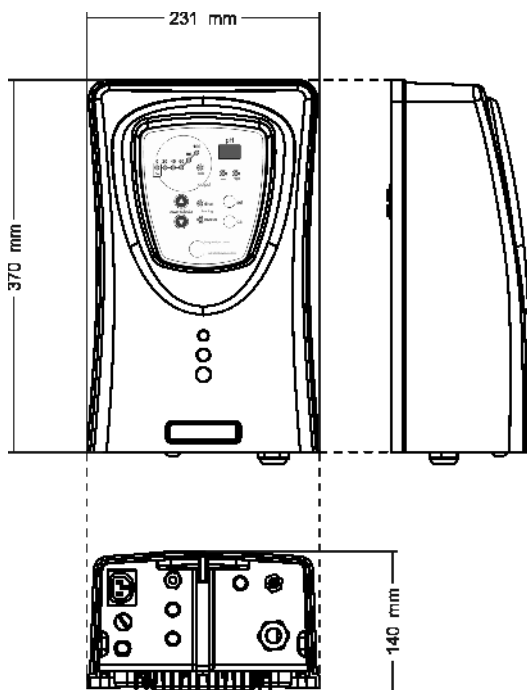
Body: plastic (blue)
Range 0 -12 pH
Solid electrolyte

Dimensions

MOD. XX



MOD. XX-PH



9. WARRANTY CONDITIONS: _____

9.1. GENERAL ASPECTS

- 9.1.1. According to these provisions, the seller guarantees that the guaranteed product is in perfect condition upon delivery.
- 9.1.2. The Total Warranty period is 2 YEARS.
- 9.1.3. The Warranty period will be calculated as of delivery to the purchaser. The electrode is covered by a 2-YEAR WARRANTY (or 3.000 hours), which is not extendable. The pH sensor is covered by a 6-MONTH non-renewable warranty.
- 9.1.4. Should the Product be faulty and the seller is notified during the Guarantee Period, he shall repair or replace the Product at his own cost wherever he sees fit, unless this is either impossible or out of proportion.
- 9.1.5. When the Product cannot be repaired or replaced, the buyer may request a proportional price reduction or, if the fault is important enough, rescission of the sales contract.
- 9.1.6. Parts replaced or repaired pursuant to this warranty shall not extend the warranty period of the original Product, although they shall have their own warranty.
- 9.1.7. For this warranty to be effective, the buyer shall accredit the date of acquisition and delivery of the Product.
- 9.1.8. When the buyer alleges a fault in the product over six months after its delivery, he shall accredit the original and existence of the alleged fault.
- 9.1.9. This Warranty Certificate does not limit or prejudice consumer rights pursuant to national legislation.

9.2. SPECIFIC CONDITIONS

- 9.2.1. For this warranty to be effective, the buyer must closely follow the manufacturer's instructions included in the documentation supplied with the product, as applicable to each product range and model.
- 9.2.2. Whenever a schedule is defined for the replacement, maintenance or cleaning of certain product parts or components, the warranty shall only be valid when said schedule has been correctly followed.

9.3. LIMITATIONS

- 9.3.1. This warranty shall only be applicable to sales to consumers, with consumer being defined as a person who purchases the product for other than professional purposes.
- 9.3.2. No warranty is applicable to normal wear or the product, parts, components and/or fungible or consumable materials (except the electrode).
- 9.3.3. The warranty does not cover cases in which the product: (i) has been incorrectly treated; (ii) has been inspected, repaired, maintained or handled by an unauthorised person; (iii) has been repaired or maintained with non-original parts, or (iv) has been incorrectly installed or started up.
- 9.3.4. When a faulty product results from incorrect installation or start-up, this warranty shall only be applicable when the installation or start-up forms part of the product contract of sale and had been performed by the seller or under the seller's responsibility.
- 9.3.5. Damage or faults due to any of the following causes:
 - Bad programming of the system and/or user inadequate calibration of the pH/ORP sensors.
 - Operation at salinity values of less than 3 g of sodium chloride per liter and/or temperatures lower than 15°C (59°F) or higher than 40°C (104°F).
 - Operation at a pH of more than 7.6.
 - Use of explicitly unauthorised chemicals.
 - Exposure to corrosive environments and/or temperatures of less than 0°C (32°F) or more than 50°C (125°F).

IMPORTANT: le manuel d'instructions que vous avez entre les mains contient des informations de première importance sur les mesures de sécurité à adopter au moment de l'installation et de la mise en marche. Il est par conséquent indispensable que l'installateur et l'utilisateur lisent attentivement les instructions avant de commencer le montage et la mise en marche. Conservez ce manuel en vue de futures consultations sur le fonctionnement de cet appareil.



Élimination de résidus de systèmes domestiques électriques et électroniques dans l'Union Européenne.

Tout produit marqué avec ce symbole indique qu'on ne peut pas l'éliminer avec le reste de résidus domestiques. Il est la responsabilité de l'utilisateur d'éliminer ce type de résidu en le déposant dans un point adéquat pour le recyclage sélectif de résidus électriques et électroniques. Le traitement adéquat et le recyclage de ces résidus contribue de manière essentielle à la conservation de l'Environnement et la santé des utilisateurs. Pour obtenir une information plus précise sur les points de récolte de ce type de résidus, contactez avec les autorités locales.

Les instructions contenues dans ce manuel décrivent le fonctionnement et l'entretien des systèmes d'Électrolyse de Sel MOD. XX et MOD. XX-PH. Pour obtenir un rendement optimal des Systèmes d'Électrolyse de Sel est nécessaire de suivre les instructions qui sont indiquées ensuite:

1. VÉRIFIEZ LE CONTENU DE L'EMBALLAGE: _____

À l'intérieur de la boîte, vous trouverez les accessoires suivants :

- Source d'alimentation.
- Cellule d'électrolyse.
- Électrode combiné pH (seulement dans les modèles MOD. XX-PH).
- Porte-sondes (optionnel dans les modèles MOD. XX-PH).
- Solutions de calibrage pH 7.0 (vert) / pH 4.0 (rouge) (seulement dans les modèles MOD. XX-PH).
- Connecteur CEE22 M pour connecter la pompe de dosage (seulement dans les modèles MOD. XX-PH).
- Manuel du système.

2. CARACTERISTIQUES GÉNÉRALES: _____

Une fois installé le système d'Électrolyse Saline, il est nécessaire de dissoudre une quantité de sel dans l'eau. Cette eau saline circule à travers la cellule d'électrolyse située dans l'épuratrice. Le système d'électrolyse saline comporte deux éléments : la cellule d'électrolyse et la source d'alimentation. La cellule d'électrolyse contient un nombre déterminé de plaques de titane (électrodes), de sorte que quand on applique un courant électrique et la solution saline passe à sa traversée, se produit du chlore libre.

Le maintien d'un certain niveau de chlore dans l'eau de la piscine garantira sa qualité sanitaire. Un système d'Électrolyse Saline fabriquera chlore quand le système de recirculation de la piscine (pompe et filtre) seront opérationnels.

La source d'alimentation est dotée de divers dispositifs d'alarme qui s'activent en cas de fonctionnement anormal du système, ainsi qu'un système de contrôle de production contrôlé par microprocesseur.

Les systèmes d'Électrolyse Saline disposent d'un système automatique de nettoyage des électrodes qui évite les incrustations calcaires sur les électrodes. En plus, les systèmes de la famille MOD. XX-PH incluent un contrôleur automatique de pH.

3. MISES EN GARDE DE SÉCURITÉ ET RECOMMANDATIONS: _____

- Le système doit être installé ou manipulé par personnel qualifié.
- Il faut respecter les normes en vigueur électriques et pour la prévention d'accidents.
- Le fabricant ne se responsabilisera en aucun cas du montage, de l'installation ou mise en fonctionnement ni de la manipulation ou incorporation de composants qui n'auront pas été réalisés dans ses installations.
- Les Systèmes d'Électrolyse Saline travaillent à 230VAC, 50/60 Hz. N'essayez pas de modifier le système pour travailler sous un autre voltage.
- S'assurer de réaliser des connections consistantes pour éviter de faux contacts lors du préchauffement.
- Avant de procéder à l'installation ou au remplacement d'un certain composant, débrancher l'appareil du réseau électrique, et utilisez exclusivement des recharges fournis par le fabricant.
- Étant donné que l'appareil génère de la chaleur, il est important de l'installer dans un endroit suffisamment aéré et de veiller à maintenir les orifices de ventilation dégagés de tout élément obstruant. Veiller à ne pas l'installer près de matériaux inflammables.
- Les Systèmes d'Électrolyse Saline disposent d'un degré de protection IP24. Ils ne doivent en aucun cas être installés dans des endroits exposés aux inondations.

SOURCE D'ALIMENTATION:

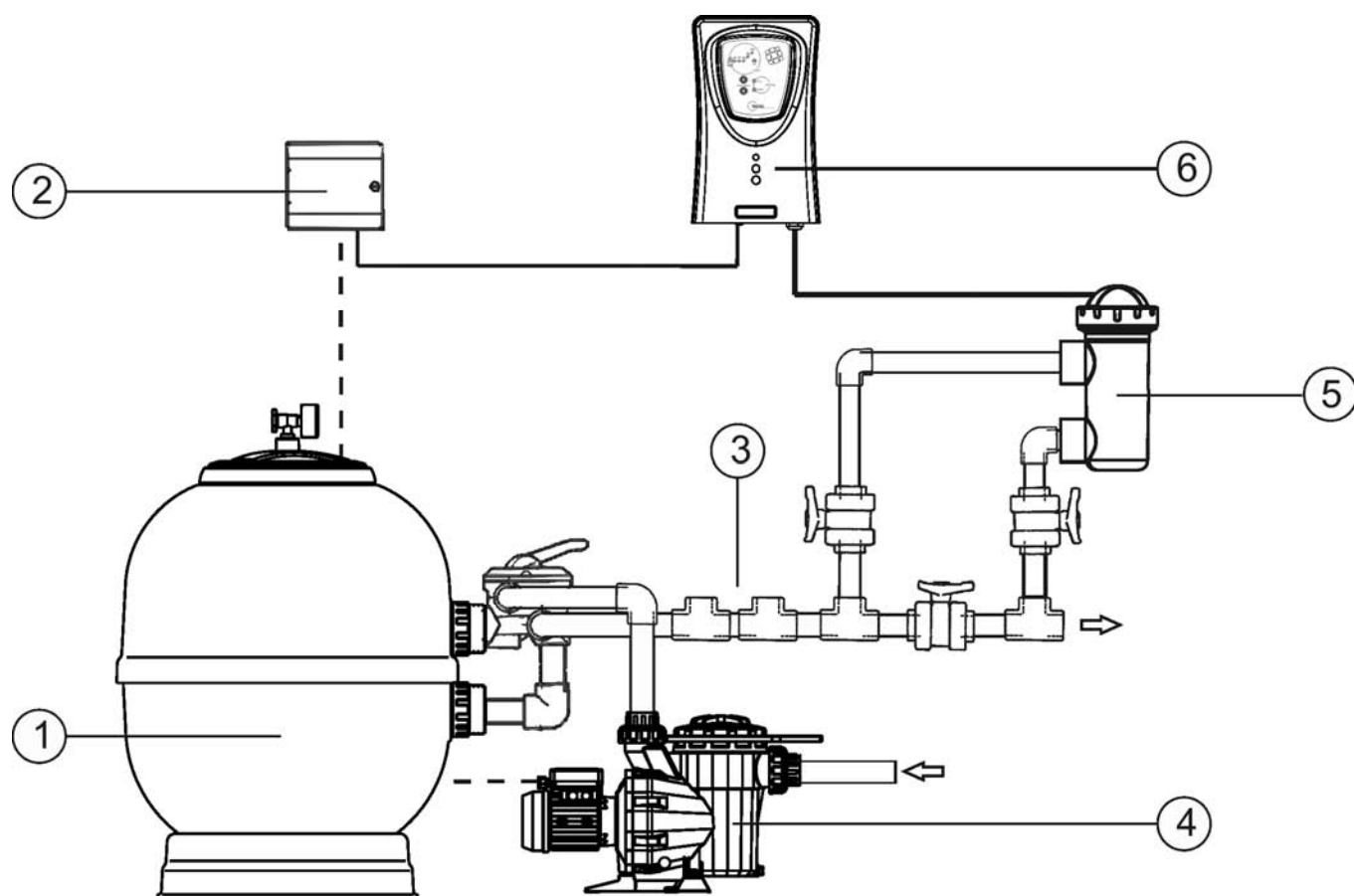
DESCRIPTION	MODELE				
	MOD.7 MOD.7 PH	MOD.12 MOD.12 PH	MOD.21 MOD.21 PH	MOD.30 MOD.30 PH	MOD.40 MOD.40 PH
Tension de service standard	230 V AC, 50 Hz./60 Hz.				
Sortie (dc)	3.5 A x 2	6 A x 2	3.5 A x 6	6 A x 5	6.5 A x 6
Production (g/h)	6 - 7	10 - 12	17 - 21	24 - 30	31 - 40
Capacité piscine (m ³) Tempéré: 16 - 24°C Chaud: +25°C	40 25	60 50	100 80	160 120	200 160
Détecteur flux	Détecteur gaz				
Rang de Salinité / Température	3 - 12 g./l. / +15 - 40°C				
Électrodes	Titane avec recouvrement AUTO-NETTOYANTE Temps de vie prévu: 8.000 - 10.000 heures (suivant la qualité de l'eau) ⁽²⁾				
Contrôle production	0 - 100 % (5 niveaux de production)				
Inversion polarité	Programmable : 2 ⁽¹⁾ / 3 heures (jumper en plaque de contrôle) + mode test				
Protection niveau de sel	Protection automatique de production				

⁽¹⁾ Valeurs par défaut de fabrication⁽²⁾ Dans conditions idéales : salinité (6 g/l), pH (7,2), dureté de l'eau (120 mg/l) et débit minimum.**CELLULE D'ÉLECTROLYSE**

DESCRIPTION	MODELE				
	MOD.7 MOD.7 PH	MOD.12 MOD.12 PH	MOD.21 MOD.21 PH	MOD.30 MOD.30 PH	MOD.40 MOD.40 PH
Débit minimum	1 m ³ /h	2 m ³ /h	3 m ³ /h	5 m ³ /h	6 m ³ /h
Nombre d'électrodes	3	5	7	11	13
Matériel	Dérivé méthacrylate				
Connexion tuyau	Encollage avec adhésif pour tuyau PVC Ø 63 mm.				
Pression maximale recommandée	1 Kg./cm ²				
Température fonctionnement	Moins de 40°C				

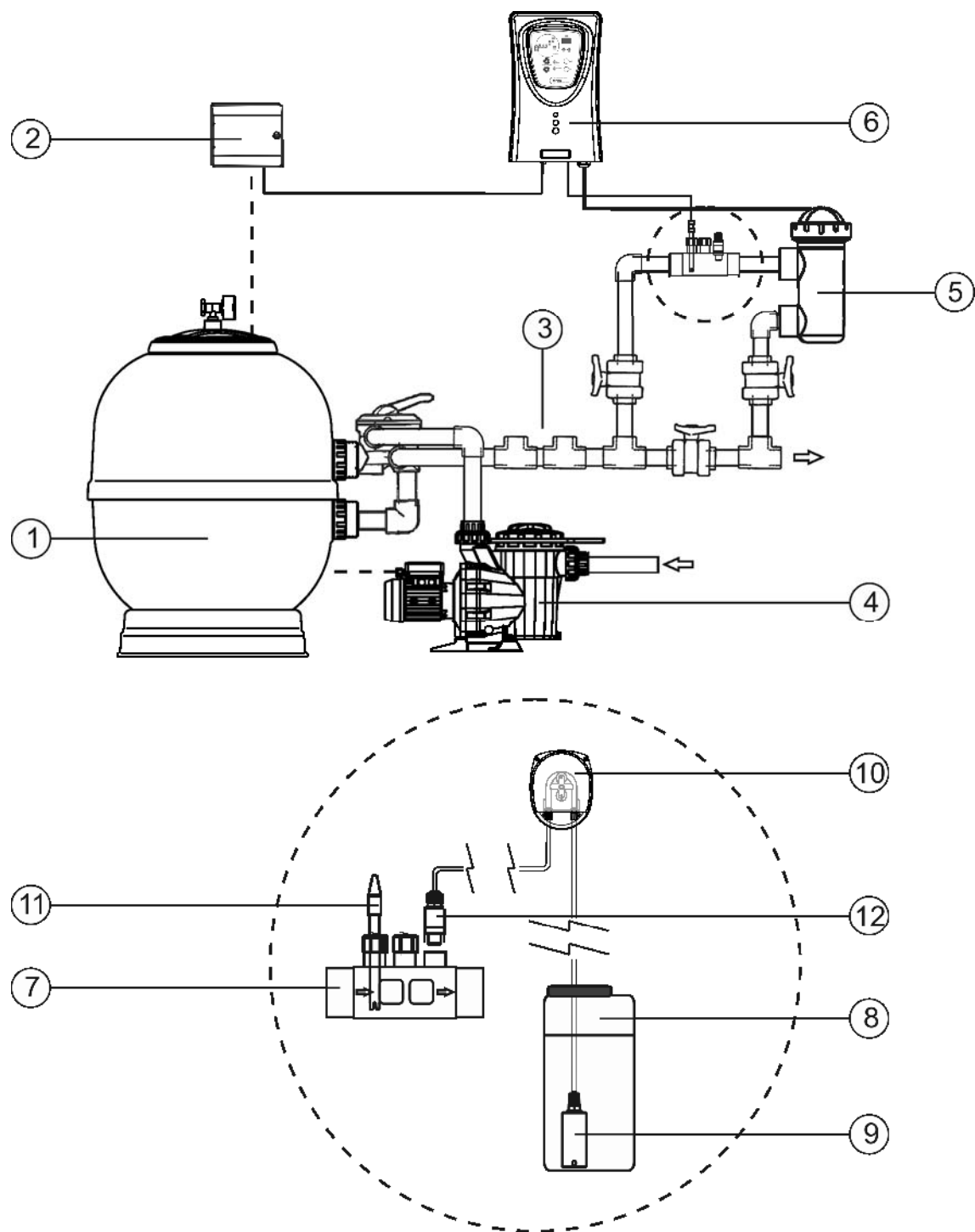
CONTRÔLEUR DE PH (seulement dans les modèles MOD. XX-PH)

DESCRIPTION	MODELE				
	MOD.7 PH	MOD.12 PH	MOD.21 PH	MOD.30 PH	MOD.40 PH
Rang de mesure	0.0 - 9.9 (pH)				
Rang de contrôle	7.0 - 7.8 (pH)				
Précision	± 0.1 pH				
Calibrage	Automatique avec solutions de calibrage				
Sorties de contrôle [pH]	Une sortie 230 VAC / 500 mA pour connexion pompe de dosage				
Électrodes pH	Corps en epoxy, 12x150 mm., union simple, 0-80°C couleur BLEUE, rang 0 - 12 (pH)				



- 1.- Filtre.
- 2.- Panneau de contrôle.
- 3.- Autres équipements (échangeur de chaleur, UV, etc.).
- 4.- Pompe.
- 5.- Cellule d'électrolyse.
- 6.- Source d'alimentation.

Fig.1 Diagramme d'installation recommandée (systèmes MOD. XX).



- | | |
|----------------------------|-------------------------------|
| 1.- Filtre. | 7.- Porte-sondes (optionnel). |
| 2.- Panneau de contrôle. | 8.- Réservoir pH miuns |
| 3.- Autres équipements | 9.- Filtre d'aspiration |
| 4.- Pompe. | 10.- Pompe dosatrice |
| 5.- Cellule d'électrolyse. | 11.- Sonde de pH. |
| 6.- Source d'alimentation. | 12.- Vanne d'injection |

Fig.2 Diagramme d'installation recommandée (systèmes MOD. XX-PH).

4. INSTALLATION:

4.1. Installation de la source d'alimentation

Toujours installer la SOURCE D'ALIMENTATION du système VERTICALEMENT et sur une surface (mur) rigide comme dans le diagramme d'installation recommandée (Figs. 1,2). Pour garantir son bon état de conservation, vous devez essayer de toujours installer l'équipement dans un endroit sec et bien ventilé. Le degré d'étanchéité de la SOURCE D'ALIMENTATION du système ne permet pas son utilisation en plein air. La SOURCE D'ALIMENTATION devra préférablement être installée suffisamment loin de la cellule d'électrolyse de façon à ce qu'elle ne puisse pas subir d'éclaboussure d'eau accidentellement.

Très important : évitez la formation de milieux corrosifs dus aux solutions qui diminuent le pH (concrètement celles formulées avec acide chlorhydrique « HCl »). Ne jamais installer le système près des lieux de stockage de ces produits. Nous recommandons spécialement l'utilisation de produits basés en bisulfate sodique ou acide sulfurique dilué. La connexion de la source d'alimentation au réseau électrique doit s'effectuer sur le panneau électrique de l'épurateur, de façon que la pompe et le système d'électrolyse saline se connectent simultanément.

4.2. Installation de la cellule d'électrolyse

La cellule d'électrolyse est fabriquée d'un polymère transparent à l'intérieur duquel se logent les électrodes. La cellule d'électrolyse devra être installée dans un endroit à l'abri des intempéries et **toujours derrière le système de filtration**, en cas d'existence d'autres dispositifs dans l'installation tels que des pompes à chaleur, des systèmes de contrôle, etc. ; ceux-ci devront toujours être placés avant le système d'électrolyse.

L'installation de la cellule devrait permettre l'accès facile de l'utilisateur aux électrodes installées. La cellule d'électrolyse doit toujours être placée dans un endroit de la canalisation qui puisse être isolé du reste de l'installation grâce à deux vannes, de telle façon que les tâches d'entretien de celle-ci puissent être effectuées sans vider entière ou partiellement la piscine.

Si la cellule s'installe en by-pass (option recommandée), vous devrez introduire une vanne qui régule le débit à travers de celle-ci. Avant de procéder à l'installation définitive du système, les commentaires suivants doivent être considérés:

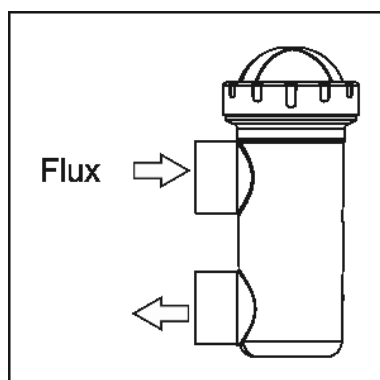


Fig. 3

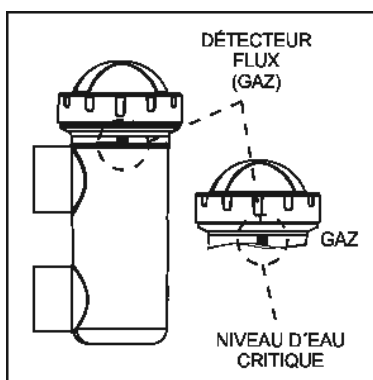


Fig. 4

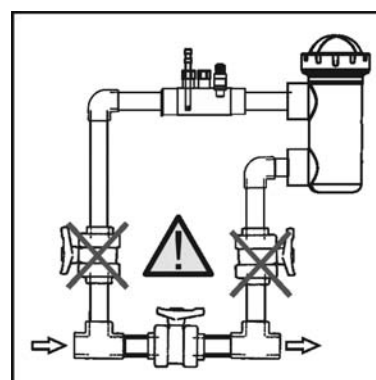


Fig. 5

1. Le sens du fluide marqué sur la cellule doit être respecté. Le système de circulation doit garantir le débit minimal consigné dans le Tableau de Spécificités Techniques pour chaque modèle (voir section 9).

2. Le système détecteur de flux (détecteur de gaz) s'active en cas de non circulation de l'eau à travers la cellule ou bien si le flux est très faible. La non-évacuation du gaz d'électrolyse génère une poche qui isole électriquement l'électrode auxiliaire (détection électronique). Par conséquent, en introduisant les électrodes dans la cellule, la sonde de niveau (électrode auxiliaire) doit rester située dans la partie supérieure de celle-ci. La disposition la plus sûre est celle du diagramme d'installation recommandée.

3. **ATTENTION:** le détecteur de flux ne fonctionnera pas correctement, ce qui produira un risque de rupture de la cellule, si les vannes d'entrée et de sortie de la canalisation où est installée la cellule d'électrolyse se ferment simultanément. Bien que cela reste une situation extrêmement inhabituelle, on peut l'éviter **en bloquant, une fois l'équipement installé, la vanne de la sortie vers la piscine**, de mode qu'elle ne puisse pas être manipulée accidentellement.

D'autres installations seraient seulement acceptables si elles permettent la détection de débit faible ou nul.

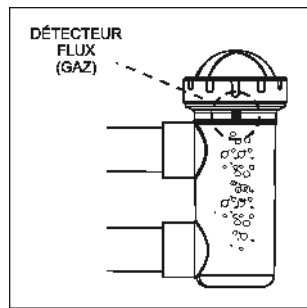


Fig. 6

Installation RECOMMANDÉE

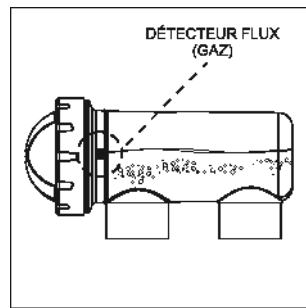


Fig. 7

Installation ACCEPTABLE

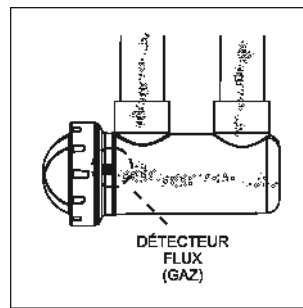


Fig. 8

Installations INACCEPTABLES

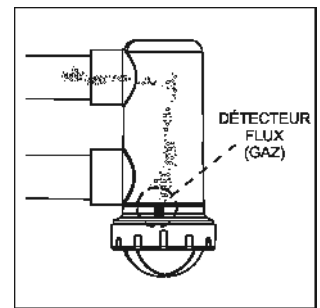


Fig. 9

Les électrodes devront être introduites à l'intérieur de la cellule d'électrolyse en emboîtant l'électrode centrale de l'ensemble au moyen des guides situés dans les quadrants du corps de celle-ci.

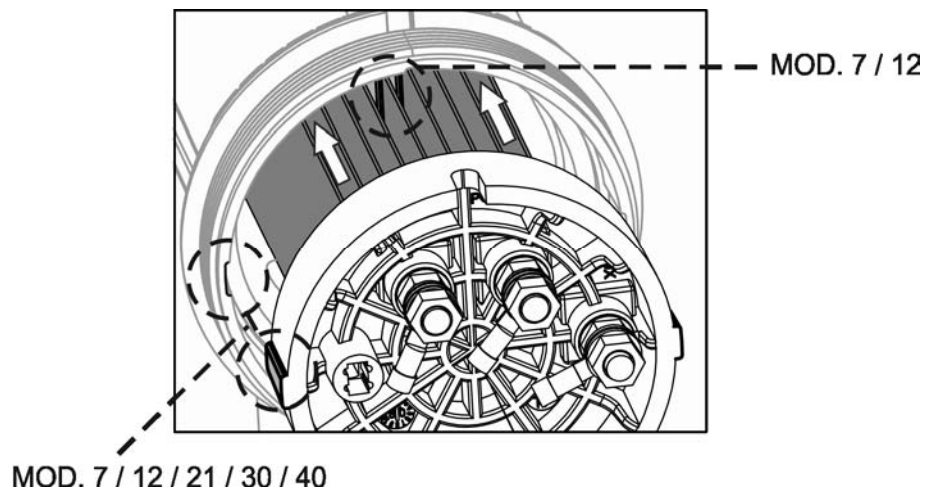


Fig 10

4.3. Connexions électriques de la cellule d'électrolyse

Réaliser l'interconnexion entre la cellule d'électrolyse et la source d'alimentation selon le schéma suivant. Dû à l'intensité relativement élevée du courant qui circule dans les câbles d'alimentation de la cellule d'électrolyse, la longueur et la section de ceux-ci ne doivent en aucun cas être modifiés sans consulter au préalable votre distributeur agréé. Le câble de connexion cellule-source d'alimentation ne doit jamais dépasser la longueur maximale recommandée dans ce Manuel: MOD.7 (3.5 A), 15 m.; MOD.12 (6 A), 8 m.; MOD.21 (3.5 A), 30 m.; MOD.30 (6 A), 20 m; MOD.40 (6 A), 20 m

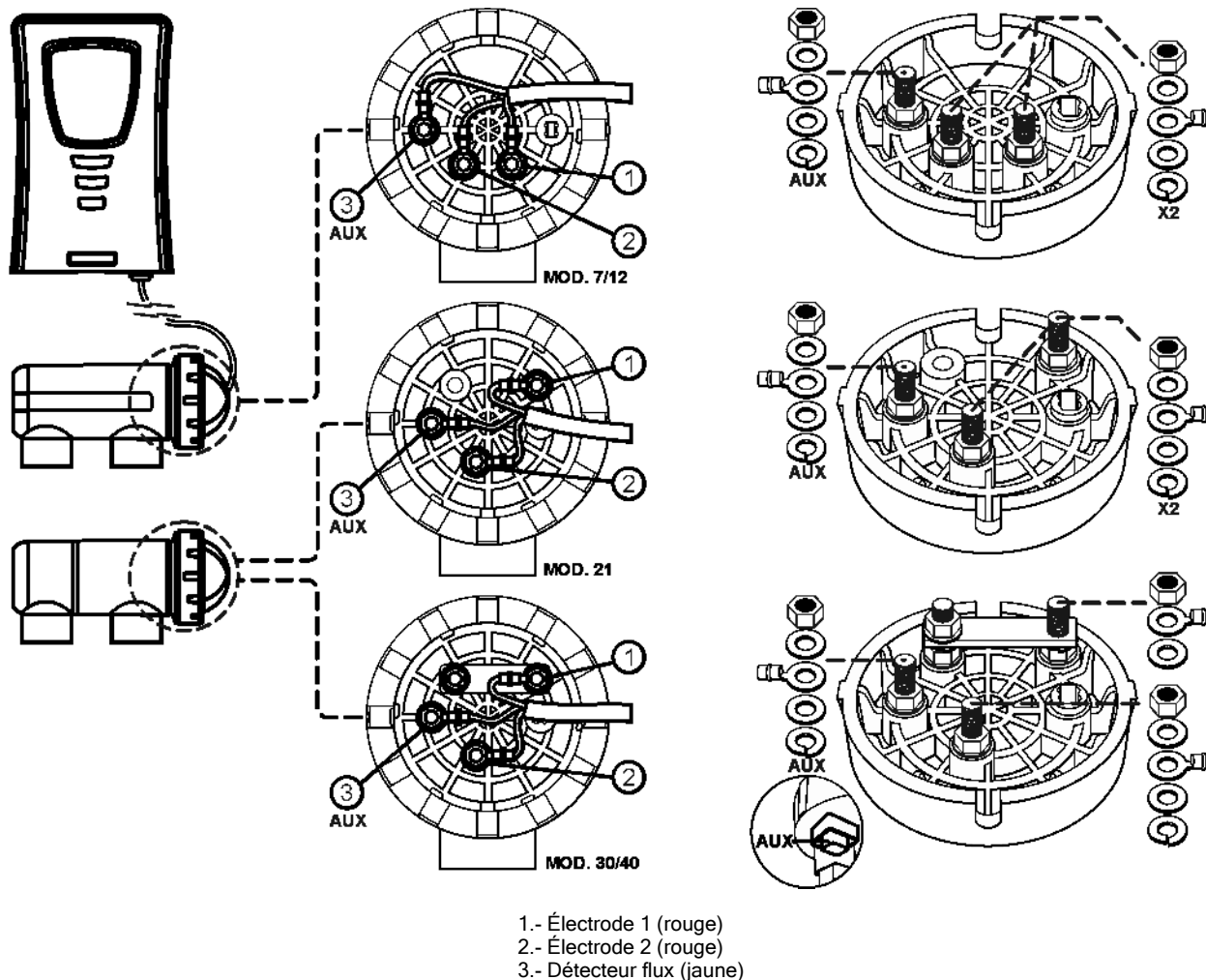


Fig.11

4.4. Installation de la sonde de pH (seulement dans les modèles MOD. XX-PH)

1. Insérer la sonde de pH fournie avec le système dans le logement correspondant du porte-sondes. (Fig. 12)
2. Pour ce faire, desserrez les écrous des raccords et insérez la sonde dans ceux-ci.
3. La sonde doit être introduite dans le raccord de sorte qu'on garantisse que le capteur situé dans son extrémité est toujours submergé dans l'eau qui circule à travers la canalisation.
4. **Installez toujours la sonde de pH référéablement verticale ou avec une inclinaison maximale de 40°** (Fig. 13).

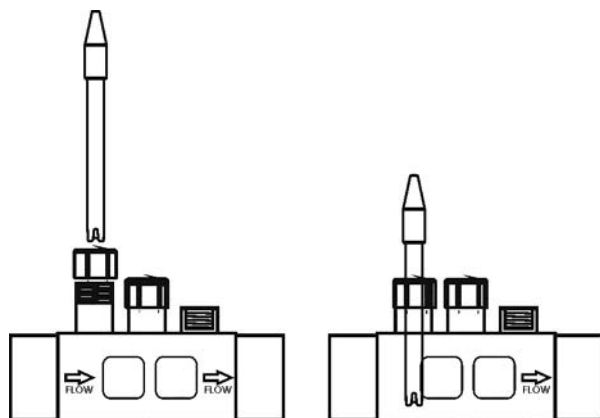


Fig. 12

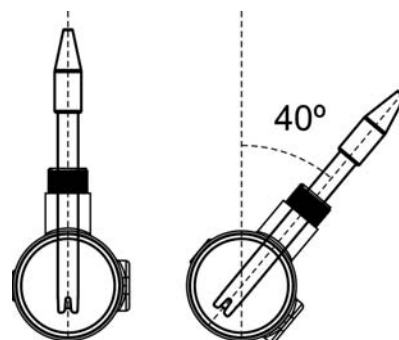


Fig. 13

4.5. Contrôles et indicateurs

Les systèmes d'Électrolyse Saline sont équipés avec un panneau de contrôle placé sur son frontal I (Figs. 14,15).

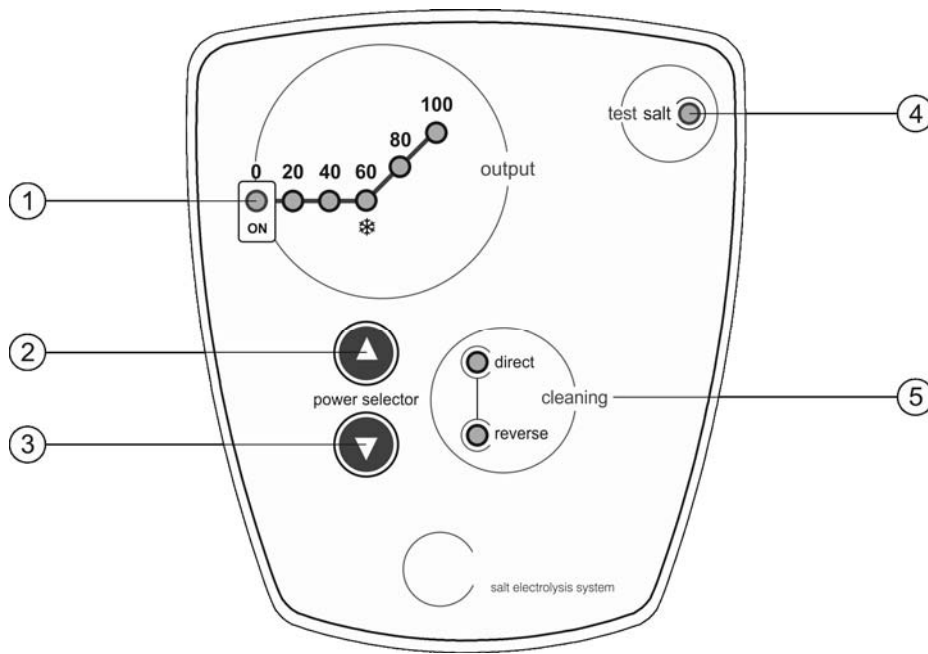


Fig. 14. Panneau de contrôle des systèmes MOD. XX

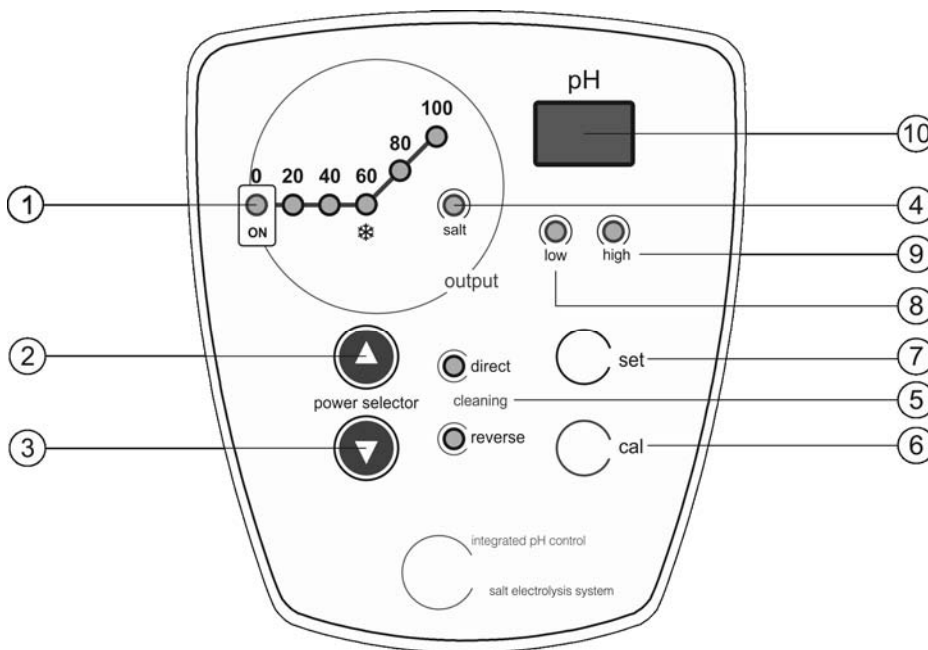


Fig. 15. Panneau de contrôle des systèmes MOD. XX-PH

- | | |
|---|---|
| 1. Échelle de production (%) | 6. Touche pour MODE CALIBRAGE pH |
| 2. Touche « ▲ » (augmenter production) | 7. Touche programmation/visualisation de pH programmé. |
| 3. Touche « ▼ » (diminuer production) | 8. Indicateur d'ALARME de pH FAIBLE (< 6.5) |
| 4. ALARME de SALINITÉ (haute/faible) | 9. Indicateur d'ALARME de pH HAUT (> 8.5) |
| 5. Indicateurs de AUTO-NETTOYAGE (polarité DIRECTE/INVERSE) | 10. Écran d'information (indication pH de l'eau / pH programmé) |

4.6. Programmation et contrôle

En plus des opérations de base, le Système d'Électrolyse de Sel dispose d'une entrée pour contrôle externe au moyen d'un contrôleur ORP, chlore résiduel, etc.; ainsi que d'une autre pour le réglage de la production de l'équipement lors de l'activation de la couverture automatique de la piscine. Il permet en outre la configuration de trois modes d'AUTONETTOYAGE des électrodes : TEST, 2/2, 3/3 heures.

- **Système d'AUTONETTOYAGE DES ÉLECTRODES :** les leds [5] indiquent l'état de polarisation des électrodes (directe/inverse). La fréquence d'inversion peut être sélectionnée au moyen du jumper « JP1 » situé dans la carte de contrôle du système (Fig. 16). Cette configuration sera effective quand l'on déconnecte et reconnecte la source d'alimentation.
- **Contrôle COUVERTE AUTOMATIQUE :** le système dispose d'une entrée pour contact libre de tension. Lorsque le contact connecté à cette entrée se ferme (couverture automatique FERMÉE), le système d'électrolyse réduit sa production à **10%** de sa valeur nominale (le led « 20% » de l'échelle de production restera illuminé).
- **Contrôle EXTERNE:** le système dispose d'une entrée auxiliaire supplémentaire pour contact libre de tension. Cette entrée peut être utilisée pour l'interaction du système d'électrolyse avec un contrôleur externe (ORP, CHLORE RÉSIDUEL, PHOTOMÈTRE, etc.). Lorsque le contact connecté à cette entrée est OUVERT, le système d'électrolyse s'arrête. Pour activer cette entrée, il faut mettre en place le jumper « JP2 » situé sur la carte de contrôle de l'unité. Cette configuration sera effective quand l'on déconnecte et reconnecte la source d'alimentation.

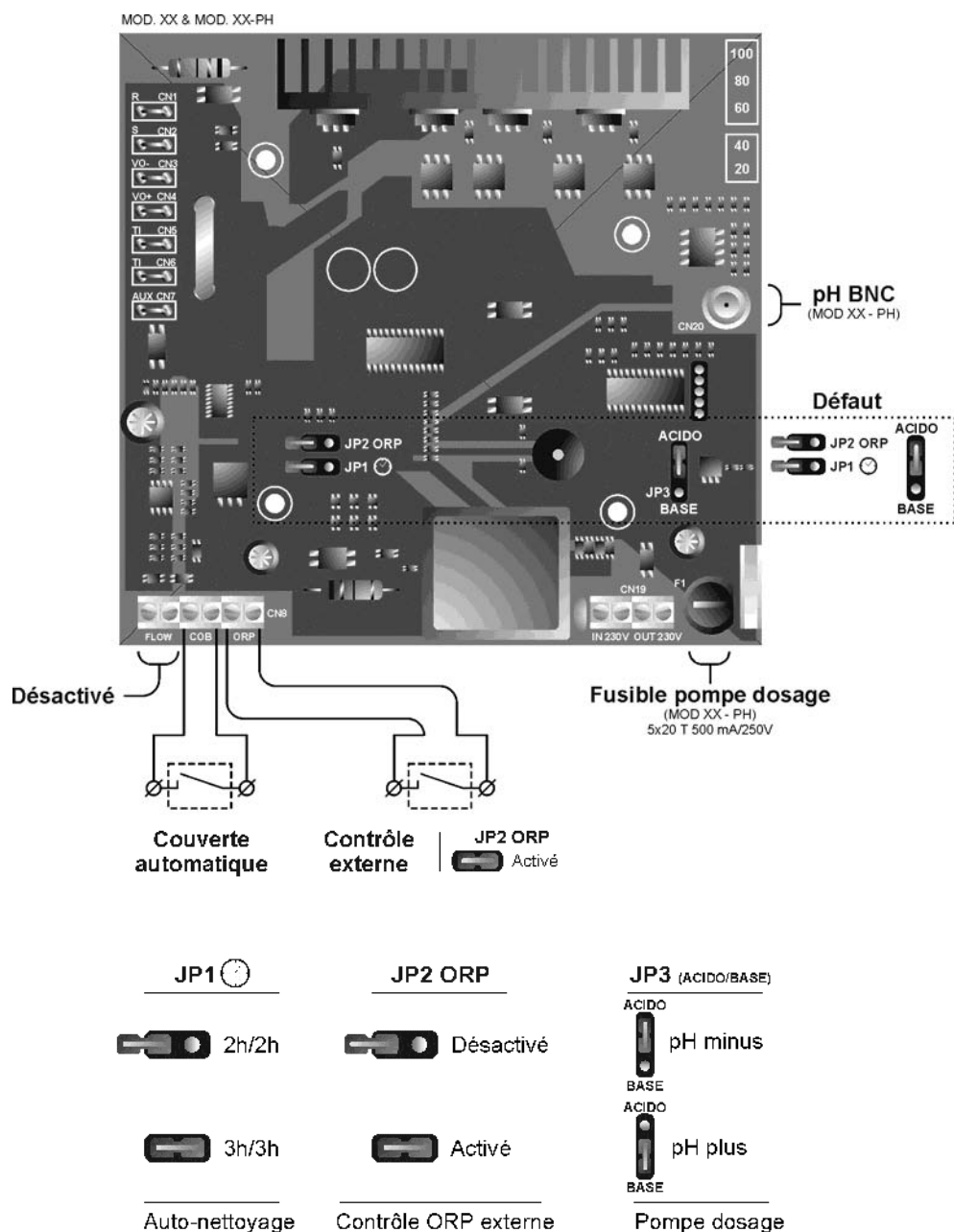


Fig. 16

4.7. Désassemblage du couvercle

1. Enlever l'enjoliveur (A) situé à la partie frontale du couvercle.
2. Dévisser la vis de fixation (B).
3. Enlever le couvercle en glissant vers le haut et vers dehors.

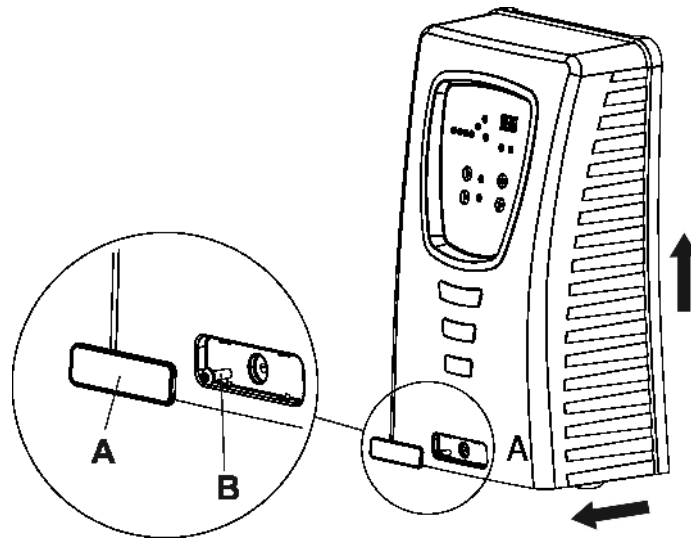


Fig. 17

4.8. Mise en marche

1. S'assurer que le filtre est propre à 100%, et que la piscine et l'installation ne contiennent ni cuivre, ni fer, ni algues. Tout équipement de chauffage installé doit être compatible avec la présence de sel dans l'eau.
2. Équilibrer l'eau de la piscine. Ceci nous permettra d'obtenir un traitement plus efficace avec une concentration plus faible de chlore libre dans l'eau, ainsi qu'un fonctionnement prolongé des électrodes et une moindre formation de dépôts calcaires dans la piscine:

a) Le pH doit être de 7.2-7.6

b) L'alcalinité totale doit être de 60-120 ppm.

3. Bien que le système puisse fonctionner avec une plage de salinité de 3 - 12 g/l, il convient d'essayer de maintenir le niveau minimum de sel recommandé de 5 g/l, en ajoutant 5 Kg. pour chaque m³ d'eau si l'eau ne contenait pas de sel au préalable. Toujours utiliser du sel commun (chlorure de sodium), sans additifs tels que iodures ou anti-compactants, et qui soit apte à la consommation humaine. Ne jamais ajouter le sel à travers la cellule. Ajouter-la directement à la piscine ou dans le vaisseau de compensation (loin du drain de la piscine).

4. En ajoutant le sel, et dans le cas où la piscine va être utilisée de façon immédiate, effectuer un traitement avec chlore. Comme dose initiale, on peut ajouter 2 g/m³ d'acide trichloroisocyanurique.

5. Avant de commencer le cycle de travail, déconnecter la source d'alimentation et mettre en marche la pompe de l'épurateur pendant 24 heures pour garantir la dissolution complète du sel.

6. Ensuite, mettre en marche le système d'électrolyse saline, en situant le niveau de production de façon que le niveau de chlore libre se maintienne aux niveaux recommandés (0.5 - 1.5 ppm).

NOTE : pour pouvoir déterminer le niveau de chlore libre vous devrez employer un kit d'analyse.

7. Dans des piscines à forte insolation ou d'utilisation intensive, il est conseillé de maintenir un niveau de 25-30 g./m³ de stabilisant (acide isocyanurique). Dans aucun cas, on devra dépasser un niveau de 75 g/m³. Ceci servira d'appui grande aide pour éviter la destruction du chlore libre présent dans l'eau par l'action de la lumière solaire.

5. FONCTIONNEMENT:



5.1. **Système arrêté**

Le système entre en mode « ATTENTE » lorsque l'on appuie plusieurs fois sur la touche « ▼ » [3] jusqu'à ce que le led de « 0 % » clignote. Dans cette situation, il n'y a pas de production dans la cellule d'électrolyse.

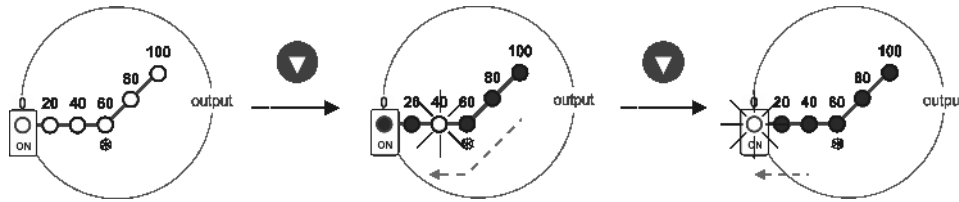


Fig. 18

5.2. **Selection du niveau de production**

Pour sélectionner le niveau de production désiré, appuyer plusieurs fois sur les touches « ▼ » [3] / « ▲ » [2] jusqu'à ce que le led correspondant au niveau de production désiré clignote. Après quelques secondes, le système situera sa production au niveau sélectionné.

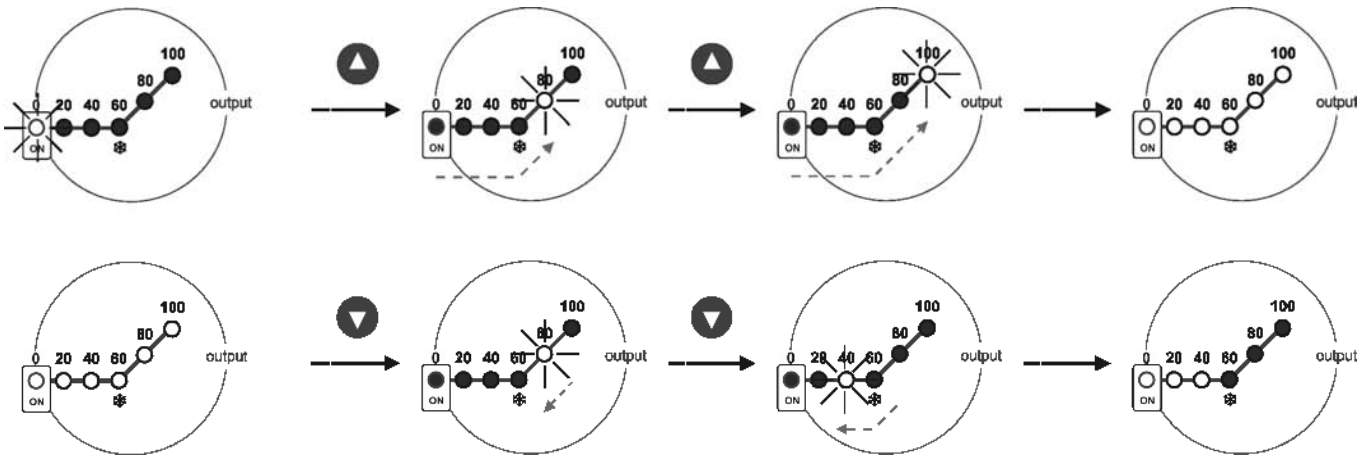


Fig. 19

La valeur de production programmée peut être visualisée n'importe quand en appuyant une fois la touche « ▼ » [3] ou la touche « ▼ » [2].

MODE HIVER: pendant les périodes de température faible de l'eau et où la demande de chlore sera faible, sélectionnez un niveau de production [1] de 60%. Cela permettra d'optimiser la consommation d'énergie et la durée de l'ensemble de électrodes.

5.3. **Mode TEST**

Pour entrer en MODE TEST, baisser le niveau de production à « 0 % » en appuyant plusieurs fois sur la touche « ▼ » [3] (Fig. 20).

Une fois le système arrêté, maintenir cette touche appuyée pendant 10 secondes. Le système indiquera qu'il est entré en MODE TEST en illuminant tous les leds pendant une seconde. Lorsque le système se trouve en MODE TEST, les leds indicateurs de polarité « cleaning » [5], clignent.

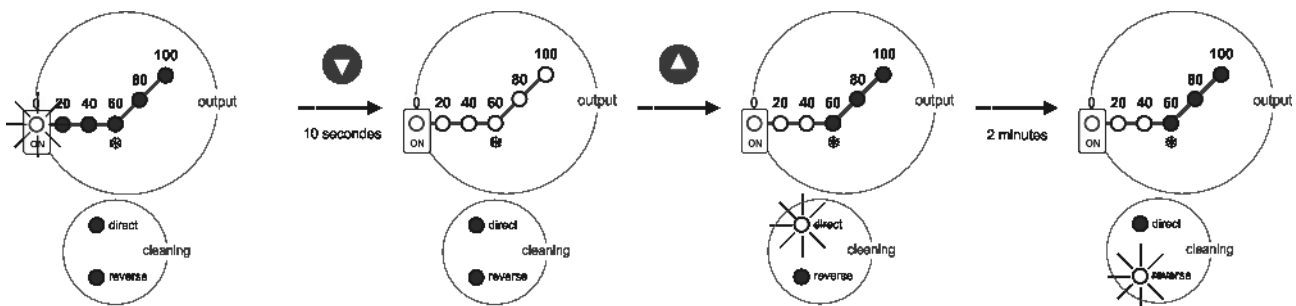


Fig. 20

En mode test, le système réinitialise le temporisateur de inversion de polarité et le niveau de sortie sélectionné. Dans ce mode, le système est totalement opérationnel, les inversions de polarités des électrodes s'effectuant **toutes les 2 minutes**. Pour quitter le MODE TEST, il faudra couper l'alimentation de 230 V du système pendant quelques secondes. Le système retourne automatiquement au programme d'auto-nettoyage avant, une fois que le système est reconnecté.

5.4. Contrôleur pH intégré (modèles MOD. XX-PH)

Le contrôleur de pH intégré est calibré dans le processus de fabrication avec les paramètres de programmation suivants.

SET-POINT (SET) pH= « 7.2 »

IMPORTANT: pour obtenir un réglage correct du pH, l'alcalinité de l'eau doit être dans le rang optimal recommandé de 60-120 ppm de CaCO₃. Utilisez un kit pour vérifier le niveau d'Alcalinité Totale de l'eau, et ajustez manuellement si c'était nécessaire.

5.4.1. CONNEXION DE LA SONDRE DE PH

Connectez la sonde de pH au connecteur BNC correspondant situé sur la base de l'unité (Fig. 21).

5.4.2. CONNEXION DE LA POMPE DE DOSAGE

Les systèmes DOM. XX-PH disposent d'un connecteur sur sa base pour la connexion d'une pompe de dosage pour le contrôle de pH de l'eau de la piscine. La pompe de dosage peut être connectée au moyen du connecteur CEE22 fourni à cet effet avec l'équipement (Fig. 21).

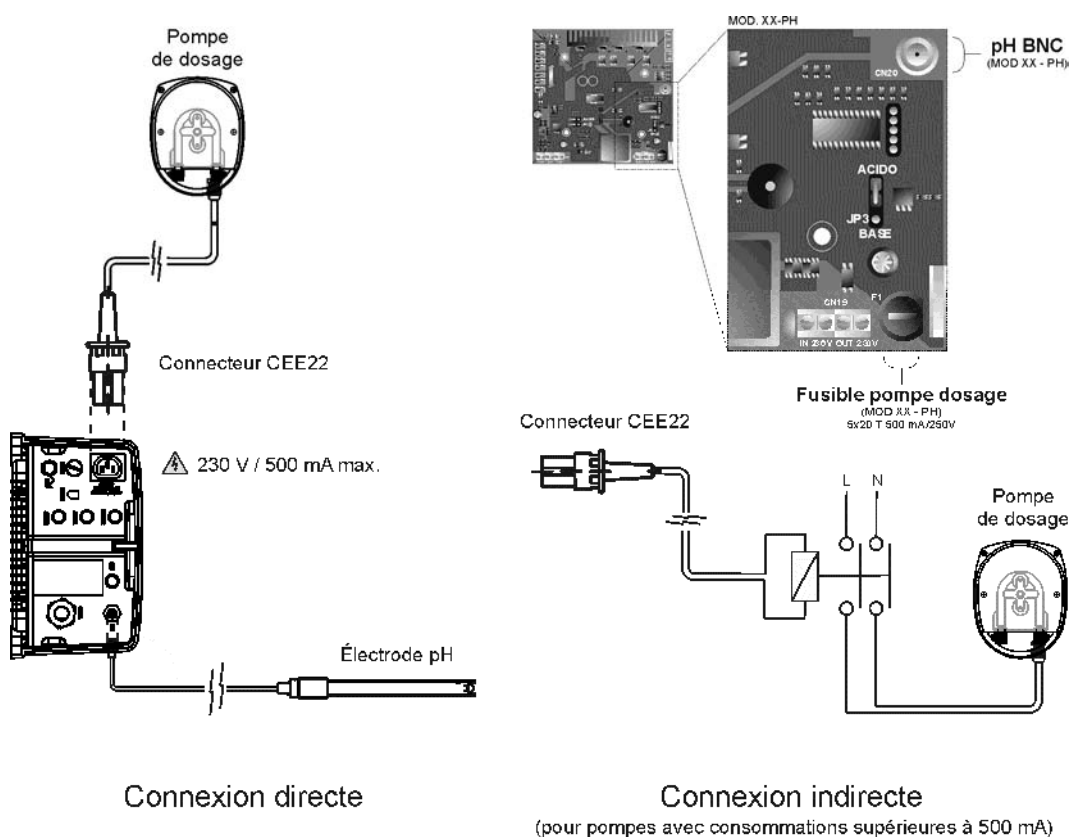


Fig. 21

5.4.3. PROGRAMMATION DE LA VALEUR DE PH

Maintenir appuyée la touche « SET » [7] jusqu'à ce que l'écran [10] indique en clignotant la valeur de pH désiré dans le rang 7.0 - 7.8. Une fois la valeur sélectionnée, relâcher la touche.

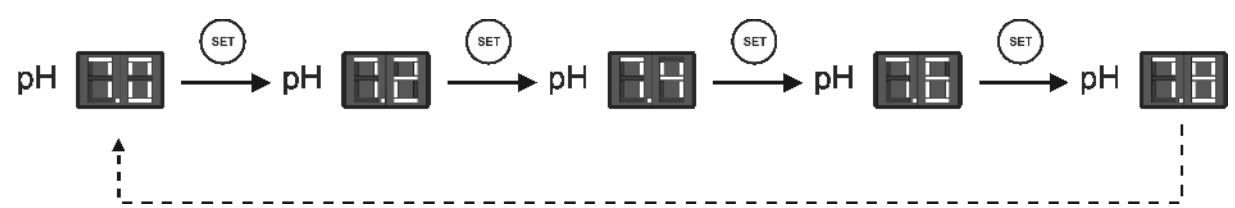


Fig. 22

La valeur de pH programmée peut être visualisée n'importe quand en appuyant une fois la touche « SET » [7].

5.4.4. CONFIGURATION DE L'ARRÊT DE SÉCURITÉ DE LA POMPE DE DOSAGE (FONCTION PUMP-STOP)

Le contrôleur de pH intégré dispose d'un système de sécurité (FONCTION PUMP-STOP) qui agit sur la pompe de dosage, ce qui permet d'éviter les situations suivantes :

- Dommages causés par le fonctionnement de la pompe a vide (produit pH minus épuisé).
- Surdosage de produit de minoration de pH (Sonde endommagée ou épuisée).
- Problèmes de régulation du pH du a une alcalinité élevée dans l'eau (remplissage de la piscine, niveaux de carbonates élevés).

Lorsque la FONCTION PUMP-STOP est activée (configurée par défaut), le système détiendra la pompe doseuse une fois écoulé le temps programmé sans pour autant avoir atteint le niveau de consigne programmé.

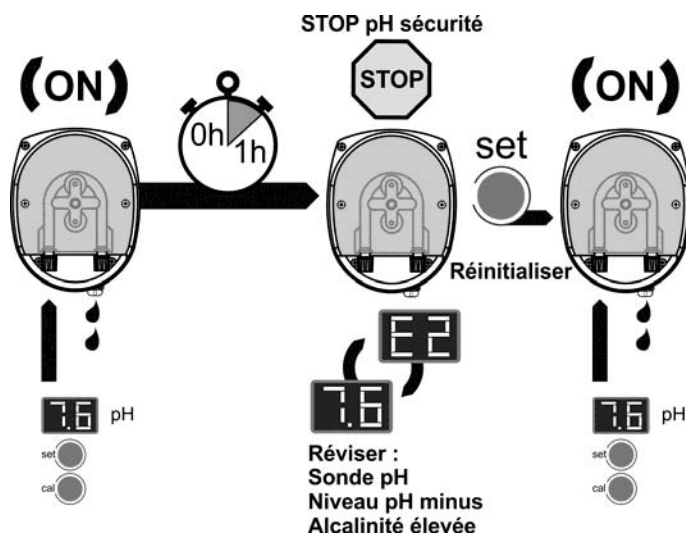


Fig. 22b

La FONCTION PUMP-STOP est configurée sortie d'usine à 60 MINUTES. Pour modifier cette valeur, réaliser la procédure suivante:

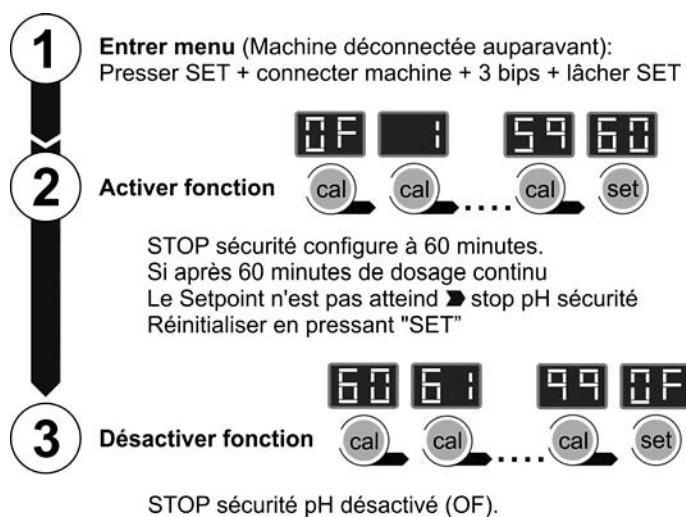


Fig. 22c

5.5. **Alarmes**

- **HAUT NIVEAU DE SEL**

Dans le cas où l'on aurait ajouté trop de sel, la source d'alimentation diminuera automatiquement le niveau de puissance par rapport au niveau sélectionné. Le led « salt » [4] restera illuminé. Dans ce cas, vider une partie de la piscine (par exemple, environ 10%), et ajouter de l'eau fraîche pour diminuer la concentration de sel. Pour une connaissance précise du niveau de sel, nous recommandons d'utiliser un appareil de mesure portable de salinité-température.

- **FAIBLE NIVEAU DE SEL**

Dans le cas où le niveau de sel dans l'eau de la piscine serait inférieur au niveau recommandé, la source d'alimentation ne pourra pas atteindre le niveau de sortie sélectionné. Le led « salt » [4] clignotera. Il est possible que le système indique valeurs de salinité inférieures à la réalité, si la température est inférieure à 20°C ou si l'électrode a atteint la fin de sa vie utile. Dans ce cas, déterminer le niveau de salinité de l'eau et ajouter la quantité de sel nécessaire. Le type de sel commun (NaCl) indiqué pour électrolyse saline ne doit pas présenter d'additifs (antiagglomérants, iodures) et doit être apte à la consommation humaine. Pour une connaissance précise du niveau de sel, nous recommandons d'utiliser un appareil de mesure portable de salinité-température.

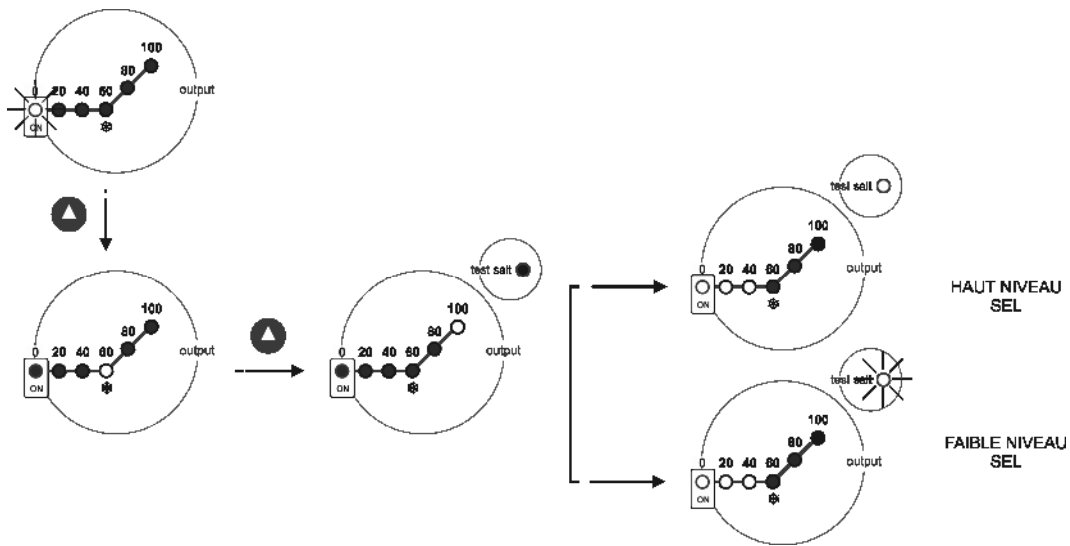
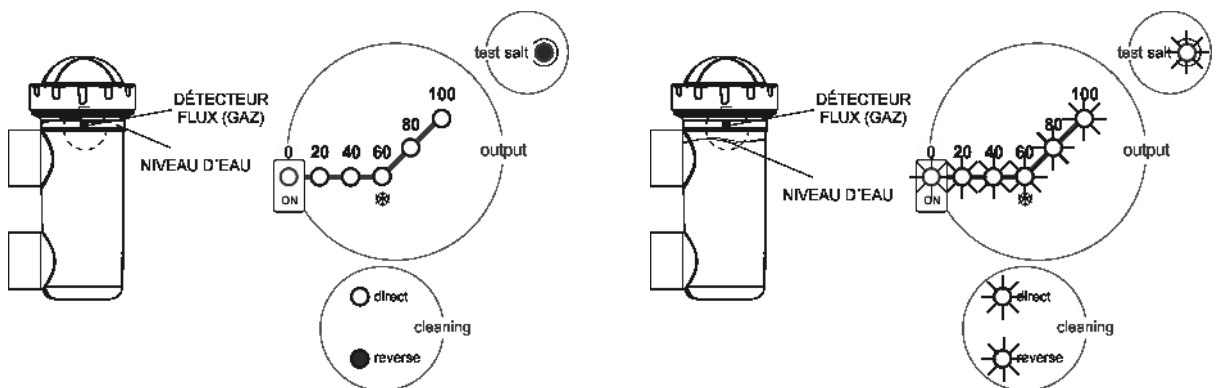


Fig. 23

- **NIVEAU D'EAU EN CELLULE/DÉTECTEUR DÉBIT (GAZ)**

S'il apparaît une bulle d'air ou gaz dans la partie supérieure de la cellule d'électrolyse et le DÉTECTEUR DE FLUX n'est pas immergé, le système arrêtera automatiquement la production et tous les voyants du panneau de commande clignoteront. Le système se réarme automatiquement une fois que le passage de l'eau est rétabli dans la cellule ou que la bulle est évacuée.



1. Détecteur de gaz immergé. Système opérationnel.

2. Gaz détecté. Flux insuffisant. Système arrêté.

Fig. 24

- **CONTRÔLE EXTERNE [JP2] ACTIVÉ**

Lorsqu'une valeur supérieure au setpoint fixé est détectée, le contrôleur externe arrête automatiquement la production et le led « 0% » de l'échelle de production [1] scintille.

- **VALEUR DE PH HORS RANG (seulement dans des modèles MOD. XX-PH)**

Le contrôleur de pH intégré dispose de deux leds ALARME, qui s'illuminent toujours dans le cas de détection d'une valeur anormale de pH inférieure à 6,5 « low » [8] ou supérieure à 8.5 « high » [9]. Lorsque le régulateur détecte une alarme de PH active, il ouvre la sortie de contrôle de la pompe de dosage (pH) qui restera arrêtée par sécurité.

6. ENTRETIEN:

6.1. Mantenimiento de la célula de electrolisis

La cellule doit se maintenir dans des conditions adéquates pour assurer une longue durée de fonctionnement. Le système d'électrolyse saline dispose d'un système de nettoyage automatique des électrodes qui évite la formation d'incrustations calcaires et c'est pourquoi, en principe, il ne sera pas nécessaire les nettoyer. Cependant, si le nettoyage à l'intérieur de la cellule est nécessaire, procédez de la manière suivante :

1. Débrancher l'alimentation 230 Vac du système.
2. Dévisser l'écrou de fermeture situé aux extrémités où se trouvent les électrodes, et extraire le paquet d'électrodes.
3. Utiliser une solution diluée d'acide chlorhydrique (une dose d'acide dans 10 doses d'eau), en submergeant le paquet d'électrodes dans celle-ci pendant 10 minutes maximum.
4. NE JAMAIS GRATTER OU BROSSER LA CELLULE OU LES ELECTRODES.

Il faut tenir compte du fait que les électrodes d'un système d'électrolyse saline sont constituées de lames de titane recouvertes d'une couche d'oxyde de métaux nobles. Les procédés d'électrolyse qui ont lieu sur sa surface produisent son usure progressive. Afin d'optimiser le temps de durée des électrodes il est important de tenir en compte les aspects suivants:

1. Bien qu'il s'agisse de systèmes d'électrolyse saline AUTONETTOYANTS, un fonctionnement prolongé du système avec des valeurs de pH supérieures à 7,6 dans des eaux d'une dureté élevée peut produire l'accumulation de dépôts calcaires sur la surface des électrodes. Ces dépôts détérioreront progressivement le recouvrement, occasionnant une diminution de son temps de vie utile.
2. Ne pas effectuer trop fréquemment des lavements du paquet d'électrodes comme ceux décrits antérieurement.
3. Le fonctionnement prolongé du système à des salinités inférieures à 3 g/l occasionne une détérioration prématurée des électrodes.
4. L'utilisation fréquente de produits algicides à contenus élevés en cuivre peut provoquer un dépôt de celui-ci sur les électrodes, détériorant progressivement le recouvrement. Pensez que le meilleur algicide c'est le chlore.

6.2. Calibrage de la sonde de pH (seulement dans des modèles MOD. XX-PH)

Le contrôleur de pH intégré dispose de deux modes de calibrage de la sonde de pH : «FAST» (rapide) et «STANDARD». Nous recommandons de l'effectuer au moins une fois par mois pendant à l'utilisation de la piscine.

6.2.1. MODE « FAST »

Le MODE « FAST » permet le calibrage courant de la sonde face à de petites déviations **sans avoir besoin d'extraire de la sonde de l'installation ni l'utilisation de solutions de calibrage.**

PROCÉDURE:

1. Être assuré que le point où est insérée la sonde est inondé, et la pompe est reliée.
2. Au moyen d'un kit de mesure de pH, mesurer le pH actuel de l'eau de la piscine.
3. Appuyer sur la touche « CAL » [6] pendant environ 5 sec. jusqu'à ce que l'équipement émette un sifflement et relâcher la touche. L'écran d'affichage de pH [10], indiquera « 7.0 » en clignotant.
4. Maintenir par pulsation la touche « SET » [7] jusqu'à ce qu'apparaisse la valeur de pH mesuré dans l'eau précédemment au moyen du kit correspondant. Une fois atteint, relâcher et pousser la touche « CAL » [6]. Si aucune erreur n'est détectée, le système a été calibré correctement.

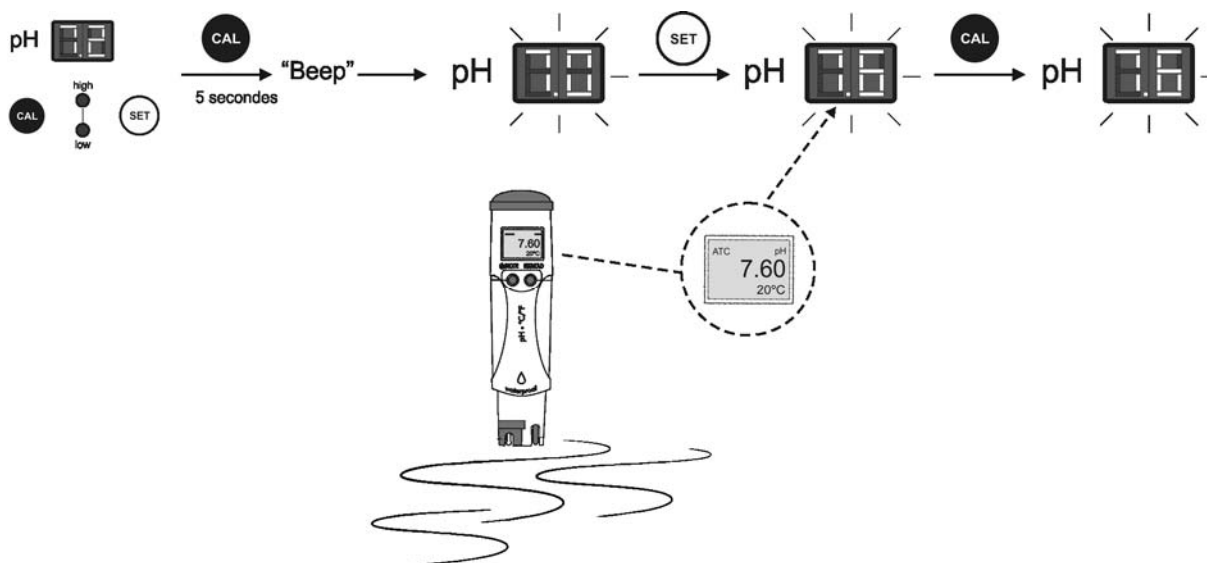


Fig. 25

6.2.2. MODE « STANDARD »

Le MODE « STANDARD » permet le calibrage nécessaire de la sonde par l'emploi de deux dissolutions de pH 7.0 et 4.0, il requiert toutefois l'extraction de la sonde de l'installation.

PROCÉDURE:

IMPORTANT: avant de la fermeture des valves du by-pass, arrêter le système dans le panneau de contrôle (voir Section 5.1).

1. Extraire la sonde du porte-sondes et le laver avec de l'eau abondante.



Fig. 26

2. Appuyer sur la touche « CAL » [6] jusqu'à ce que l'équipement émette un sifflement, et sans relâcher cette touche, appuyez sur la touche « SET » [7] pendant quelques secondes, jusqu'à ce que l'écran d'affichage de pH [10] indique « 7.0 » en clignotant.
3. Agiter doucement la sonde pour enlever les gouttes d'eau qui pourraient y être adhérentes et l'introduire dans la solution de référence pH=7.0 (couleur verte). Agiter doucement pendant quelques secondes et appuyer sur la touche « CAL » [6]. Une fois la lecture stabilisée, l'indication « 4.0 » clignotera sur l'écran [10].

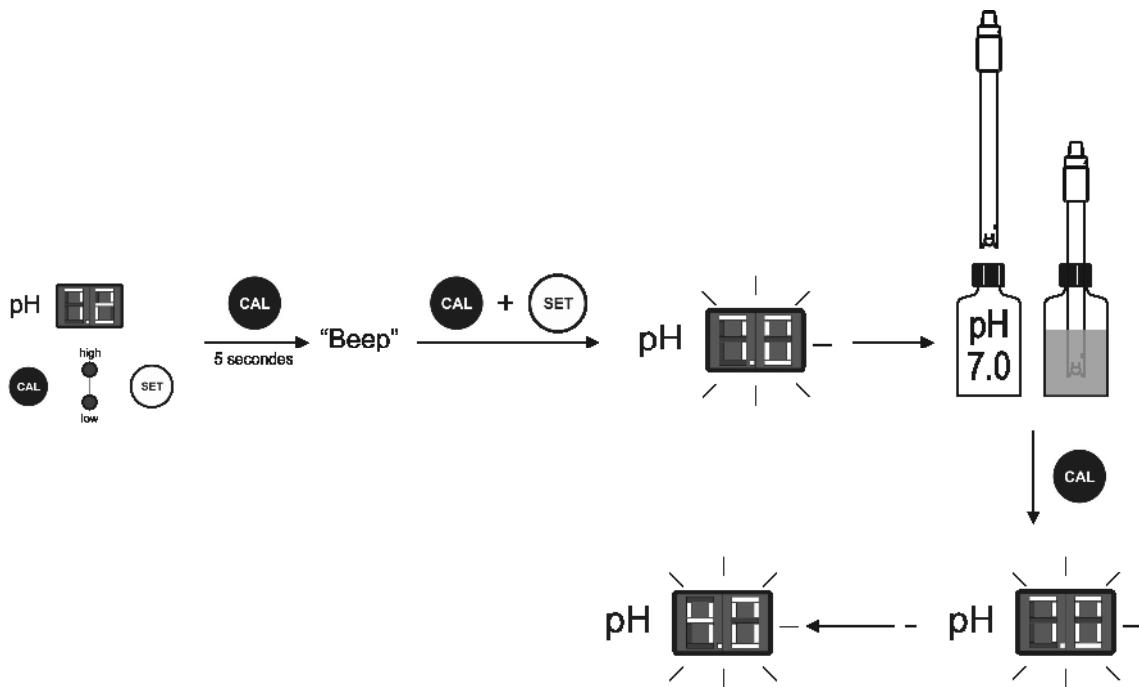


Fig. 27

4. Extraire la sonde de la dissolution et la rincer abondamment avec de l'eau.
5. Agiter doucement la sonde pour détacher les gouttes d'eau qui pourraient être adhérentes à ce dernière et l'introduire dans la dissolution de calibrage pH=4.0 (couleur rouge). Agiter doucement quelques secondes et pousser « CAL » [6]. Une fois stabilisée la lecture, le contrôleur sortira automatiquement du mode de calibrage et sera opérationnel.

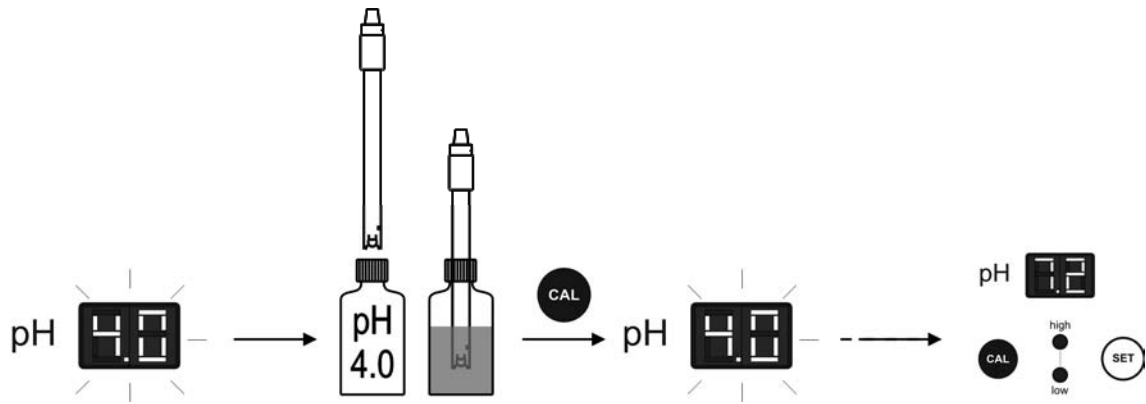





Fig. 28

MESSAGES D'ERREUR:

- pH  Si la procédure de calibrage est interrompue pour n'importe quel motif, le contrôleur sortira automatiquement du mode calibrage passé quelques secondes sans qu'on détecte l'intervention de l'utilisateur. Dans ce cas, apparaîtra pendant un moment l'indication « **E1** » dans l'écran [10].
- pH  Si la mesure de pH détecté pendant le calibrage est très différente à celle attendue (sonde défectueuse, etc.), l'écran [10] indiquera « **E2** ». Le calibrage de la sonde ne sera pas possible.
- pH  Si la mesure de pH est instable pendant la procédure de calibrage, apparaîtra le code « **E3** » sur l'écran [10]. De même, le calibrage de la sonde ne sera pas possible.

6.3. Entretien de la sonde de pH

1. Vérifier que la membrane de la sonde reste à tout moment humide.
2. Si la sonde n'est pas utilisée pendant une longue période, préservez le submergé dans une dissolution de conservation à pH=4.0.
3. Pour nettoyer la sonde de toute saleté, éviter d'utiliser des matériaux abrasifs qui peuvent rayer la surface de mesure.
4. **Les sondes de pH/ORP sont une partie consommable et aura besoin d'être remplacée passé un temps d'opération.**

7. **PROBLÈMES / SOLUTIONS :** _____

Il faut toujours débrancher l'appareil du réseau électrique avant d'entreprendre toute action requise pour y solutionner de possibles problèmes. Tout problème qui n'est pas envisagé dans la liste suivante devra être résolu par un technicien qualifié.

PROBLÈME	SOLUTION
<p>L'indicateur de production indique toujours « 0 » dans n'importe quel niveau de production choisi</p>	<p>Vérifier l'état des électrodes.</p> <p>Vérifier les connexions électriques entre la source d'alimentation et la cellule d'électrolyse.</p> <p>Vérifier la concentration de sel.</p>
<p>La source d'alimentation ne se connecte pas</p>	<p>Vérifier que le système est convenablement alimenté à 230 V/ 50-60 Hz depuis le cadran de manoeuvre de l'épurateur.</p> <p>Vérifier l'état du fusible situé sur la partie inférieure de la source d'alimentation.</p>
<p>Le niveau de chlore dans la piscine est faible</p>	<p>Vérifier sur les bouches de refoulement de la piscine que le système produit du chlore.</p> <p>Vérifier que les paramètres chimiques de l'eau (pH, chlore combiné, acide isocyanurique) son corrects.</p> <p>Augmenter le temps de filtration.</p> <p>Ajouter stabilisant (acide isocyanurique) jusqu'à atteindre une concentration de 25-30 g./m³</p>
<p>Le contrôleur de pH indique toujours valeurs extrêmes, ou les lectures sont instables.</p>	<p>La connexion du câble à la sonde est défectueuse. Nettoyer les contacts ou remplacer le câble</p> <p>La sonde a une bulle d'air dans la zone de la membrane. Placer la sonde en position verticale. Agiter doucement jusqu'à ce que la bulle se déplace vers le haut.</p> <p>Sonde défectueuse. Le câble de connexion est trop long ou est trop près de sources d'interférence électromagnétique (moteurs, etc.). Remplacer par une nouvelle sonde. Situer l'équipement plus près de la sonde.</p>
<p>Impossible calibrer la sonde de pH</p>	<p>Dissolution de calibrage en mauvais état.</p> <p>Membrane de la sonde bloquée. Vérifier que la membrane ne soit pas endommagée. Nettoyer la sonde avec acide dilué dans l'eau, agitant légèrement.</p> <p>Sonde défectueuse. Remplacer par une nouvelle sonde.</p>
<p>Réponse lente de la sonde de pH</p>	<p>Sonde avec charge électrostatique. Pendant la phase de calibrage, les sondes ne doivent être séchées avec du papier ou un chiffon. Nettoyer exclusivement avec de l'eau et agiter doucement.</p> <p>Rénovation insuffisante de l'eau analysée (débit nul par le point d'analyse). Être assuré que dans le point de mesure de la sonde, il existe un niveau d'eau suffisant et aucune bulle.</p>

8. CARACTERISTIQUES TECHNIQUES:

SPÉCIFICATIONS TECHNIQUES:

Tension de service standard

230V AC - 50/60 Hz.

Câble: 3 x 1.0 mm², long. 2 m.

MOD. 7	0.2 A
MOD. 12	0.4 A
MOD. 21	0.4 A
MOD. 30	0.8 A
MOD. 40	0.9 A

Fusible

MOD. 7	1 A T (5x20 mm)
MOD. 12	2 A T (5x20 mm)
MOD. 21	2 A T (5x20 mm)
MOD. 30	3.15 A T (5x20 mm)
MOD. 40	4 A T (5x20 mm)

Voltage de sortie

Câble 3 x 2.5 mm², long. 2 m.

MOD. 7	10.5 VDC / 3.5 A
MOD. 12	10.5 VDC / 6.0 A
MOD. 21	23.0 VDC / 3.5 A
MOD. 30	20.0 VDC / 6.0 A
MOD. 40	24.0 VDC / 6.5 A

Production

MOD. 7	6 - 7 g./h.
MOD. 12	10 - 12 g./h.
MOD. 21	17 - 21 g./h.
MOD. 30	24 - 30 g./h.
MOD. 40	31 - 40 g./h.

Débit recirculation minimum

MOD. 7	1 m ³ /h.
MOD. 12	2 m ³ /h.
MOD. 21	3 m ³ /h.
MOD. 30	5 m ³ /h.
MOD. 40	6 m ³ /h.

Nombre d'électrodes

MOD. 7	3
MOD. 12	5
MOD. 21	7
MOD. 30	11
MOD. 40	13

Poids net (emballage compris)

MOD. 7	9 Kg.
MOD. 12	11 Kg.
MOD. 21	13 Kg.
MOD. 30	15 Kg.
MOD. 40	17 Kg.

CARACTÉRISTIQUES GÉNÉRALES:

Système de contrôle

- Microprocesseur.
- Clavier de membrane avec des touches de contrôle et leds indicateurs de fonctionnement.
- E/S de contrôle: 2 entrées (type contacte libre de potentiel) pour l'état de la couverture automatique et le contrôleur externe (ORP, CHLORE RESIDUEL, etc.).
- Sortie cellule: contrôle de production (5 niveaux discrets).
- Rang de salinité / Température: 4-6 g/l. / +15 - 40°C.
- Contrôleur pH intégré. (seulement dans les modèles MOD. XX-PH).

Auto-nettoyage

Inversion de polarité automatique

Température de travail

De 0°C à +.50°C

Réfrigération: convection naturel

Matériel

- Source d'alimentation
ABS
- Cellule d'électrolyse
Métacrylate transparent

Sonde pH (modèles MOD. XX-PH)

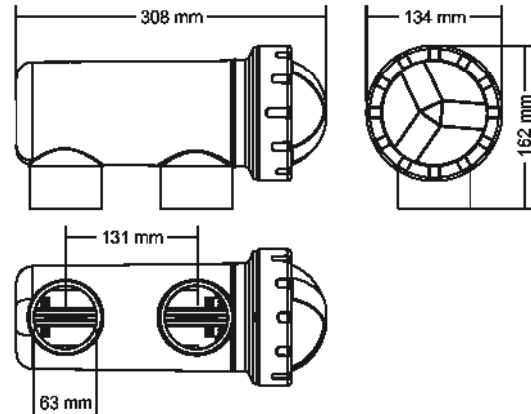
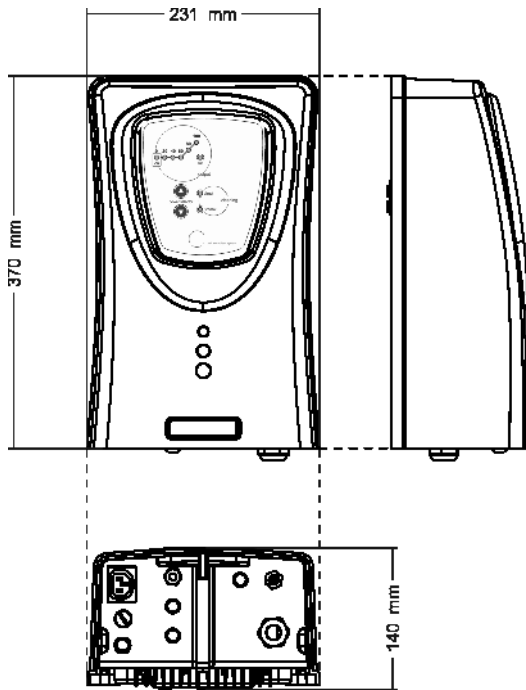
Corps: plastique (protecteur bleu)

Rang 0 - 12 pH

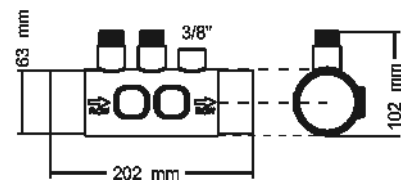
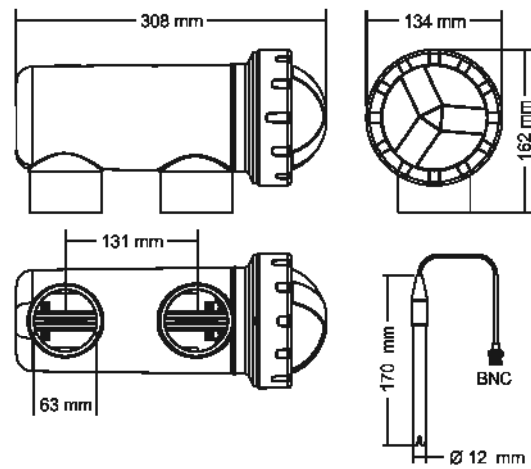
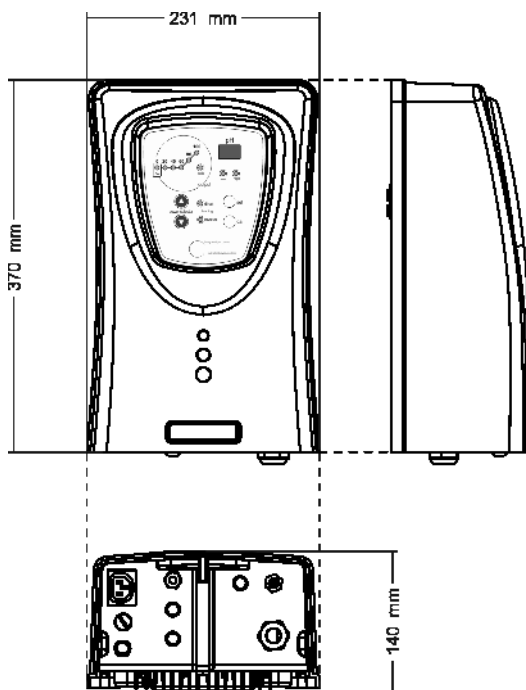
Électrolyte solide

Dimensions

MOD. XX



MOD. XX-PH



9. CONDITIONS DE GARANTIE: _____

9.1. ASPECTS GÉNÉRAUX

- 9.1.1. Conformément à ces dispositions, le vendeur garantit que le produit correspondant à cette garantie ne présente aucun défaut de conformité au moment de sa livraison.
- 9.1.2. La Période de Garantie totale est de 2 ANS.
- 9.1.3. La Période de Garantie sera calculée à partir de la livraison à l'acheteur. L'électrode est couverte par une garantie de 2 ANS (ou 3.000 heures), sans extensions. La sonde de pH est couverte par une garantie de 6 MOIS, sans extensions.
- 9.1.4. En cas de défaut de conformité du produit et si l'acheteur le notifie au vendeur pendant la période de garantie, le vendeur devra réparer ou remplacer le produit à ses frais et à l'endroit qu'il considère opportun, sauf si cela est impossible ou manifestement disproportionné.
- 9.1.5. Lorsqu'il est impossible de réparer ou de remplacer le produit, l'acheteur pourra demander une réduction proportionnelle du prix, ou, si le défaut de conformité est suffisamment important, la résiliation du contrat de vente.
- 9.1.6. Les parties remplacées ou réparées en vertu de cette garantie n'allongeront pas le délai de la garantie du produit original, mais disposeront de leur propre garantie.
- 9.1.7. Pour l'effectivité de la présente garantie, l'acheteur devra justifier la date d'acquisition et de livraison du produit.
- 9.1.8. Lorsque plus de six mois se sont écoulés depuis la livraison du produit à l'acheteur et que celui-ci invoque un défaut de conformité de ce produit, l'acheteur devra justifier l'origine et l'existence du défaut invoqué.
- 9.1.9. Le présent Certificat de Garantie ne limite ni ne préjuge les droits qui correspondent aux consommateurs en vertu de normes nationales à caractère impératif.

9.2. CONDITIONS PARTICULIÈRES

- 9.2.1. Pour l'effectivité de cette garantie, l'acheteur devra suivre strictement les indications du fabricant, comprises dans la documentation qui accompagne le produit, pour autant qu'elle soit applicable en fonction de la gamme et du modèle du produit.
- 9.2.2. Lorsqu'un calendrier est indiqué pour le remplacement, la maintenance ou le nettoyage de certaines pièces ou de certains composants du produit, la garantie sera valable uniquement si ce calendrier a été respecté.

9.3. LIMITATIONS

- 9.3.1. La présente garantie sera uniquement d'application pour les ventes réalisées aux consommateurs, ce terme de « consommateur » correspondant à toute personne qui acquière le produit à des fins n'entrant pas dans le cadre de son activité professionnelle.
- 9.3.2. Aucune garantie n'est octroyée en ce qui concerne l'usure normale par utilisation du produit ni en ce qui concerne les pièces, composants et/ou matériaux fongibles ou consommables (à exception de l'électrode).
- 9.3.3. La garantie ne couvre pas les cas où le produit : (i) a été l'objet d'un traitement incorrect ; (ii) a été vérifié, réparé, entretenu ou manipulé par une personne non autorisée ; (iii) a été réparé ou entretenu avec des pièces non originales ou (iv) a été installé ou mis en marche de manière incorrecte.
- 9.3.4. Lorsque le défaut de conformité du produit est la conséquence d'une installation ou d'une mise en marche incorrectes, la présente garantie sera seulement effective lorsque ladite installation ou mise en marche est incluse dans le contrat de vente du produit et a été réalisée par le vendeur ou sous sa responsabilité.
- 9.3.5. Dommages ou défauts du produit dus à une des causes suivantes :
 - Programmation du système et/ou calibrage inadéquat des sondes de pH/ORP par l'utilisateur.
 - Fonctionnement à salinités inférieures à 3 g./l. de chlorure de sodium et/ou températures inférieures à 15°C ou supérieures à 40°C.
 - Fonctionnement à pH supérieur à 7,6.
 - Emploi de produits chimiques non explicitement autorisés.
 - Exposition à des environnements corrosifs et/ou à des températures inférieures à 0°C ou supérieures à 50°C.

IMPORTANTE: El manual de instrucciones que usted tiene en sus manos, contiene información fundamental acerca de las medidas de seguridad a adoptar a la hora de la instalación y la puesta en servicio. Por ello, es imprescindible que tanto el instalador como el usuario lean las instrucciones antes de pasar al montaje y puesta en marcha. Conserve este manual para futuras consultas acerca del funcionamiento de este aparato.



Tratamiento de equipos eléctricos y electrónicos después de su vida útil (sólo aplicable en la U.E.)

Todo producto marcado con este símbolo indica que no puede eliminarse junto con el resto de residuos domésticos una vez finalizada su vida útil. Es responsabilidad del usuario eliminar este tipo de residuo depositándolos en un punto adecuado para el reciclado selectivo de residuos eléctricos y electrónicos. El adecuado tratamiento y reciclado de estos residuos contribuye de forma esencial a la conservación del Medio Ambiente y la salud de los usuarios. Para obtener una información más precisa sobre los puntos de recogida de este tipo de residuos, póngase en contacto con las autoridades locales.

Las instrucciones contenidas en este manual describen el funcionamiento y mantenimiento de los sistemas de Electrolisis de Sal MOD. XX y MOD. XX-PH. Para conseguir un óptimo rendimiento de los Sistemas de Electrólisis de Sal es conveniente seguir las instrucciones que se indican a continuación:

1. COMPRUEBE EL CONTENIDO DEL EMBALAJE:

En el interior de la caja encontrará los siguientes accesorios:

- Fuente de alimentación.
- Célula de electrolisis.
- Sensor combinado de pH (sólo en equipos MOD. XX-PH).
- Soluciones de calibración pH 7.0 (verde) / pH 4.0 (rojo) (sólo en equipos MOD. XX-PH).
- Porta-sondas (opcional en equipos MOD. XX-PH).
- Conector CEE22 M para conexión de bomba dosificadora (sólo en equipos MOD. XX-PH).
- Manual del equipo.

2. CARACTERISTICAS GENERALES:

Una vez instalado su sistema de Electrolisis de Sal es necesario disolver una cantidad de sal en el agua. Este agua salina circula a través de la célula de electrolisis situada en la depuradora. El sistema de Electrolisis de Sal consta de dos elementos: una célula de electrolisis y una fuente de alimentación. La célula de electrolisis contiene un número determinado de placas de titanio (electrodos), de forma que cuando se hace circular a través de los mismos una corriente eléctrica y la solución salina pasa a su través, se produce cloro libre.

El mantenimiento de un cierto nivel de cloro en el agua de la piscina, garantizará su calidad sanitaria. El sistema de Electrolisis de Sal fabricará cloro cuando el sistema de recirculación de la piscina (bomba y filtro) estén operativos.

La fuente de alimentación dispone de varios dispositivos de seguridad, los cuales se activan en caso de un funcionamiento anómalo del sistema, así como de un microcontrolador de control.

Los sistemas de Electrolisis de Sal disponen de un sistema de limpieza automático de los electrodos que evita la formación de incrustaciones en los mismos. Además, los sistemas de la serie MOD. XX-PH incorporan un controlador automático de pH.

3. ADVERTENCIAS DE SEGURIDAD Y RECOMENDACIONES:

- El montaje o manipulación deben ser efectuados por personal debidamente cualificado.
- Se deben respetar las normas vigentes para la prevención de accidentes, así como para las instalaciones eléctricas.
- El fabricante en ningún caso se responsabiliza del montaje, instalación o puesta en funcionamiento, así como de cualquier manipulación o incorporación de componentes que no se hayan llevado a cabo en sus instalaciones.
- Los sistemas de Electrolisis de Sal operan a 230 V AC / 50/60 Hz. No intente alterar la fuente de alimentación para operar a otro voltaje.
- Asegúrese de realizar conexiones eléctricas firmes para evitar falsos contactos, con el consiguiente recalentamiento de los mismos.
- Antes de proceder a la instalación o sustitución de cualquier componente del sistema asegúrese que éste ha quedado previamente desconectado de la tensión de alimentación, y utilice exclusivamente repuestos suministrados por el fabricante.
- Debido a que el equipo genera calor, es importante instalarlo en un lugar suficientemente ventilado y procurar mantener los orificios de ventilación libres de cualquier elemento que los pueda obstruir. Procurar no instalarlo cerca de materiales inflamables.
- Los sistemas de Electrolisis de Sal disponen de un grado de protección IP24. En ningún caso, deben ser instalados en zonas expuestas a inundaciones.

FUENTE DE ALIMENTACION:

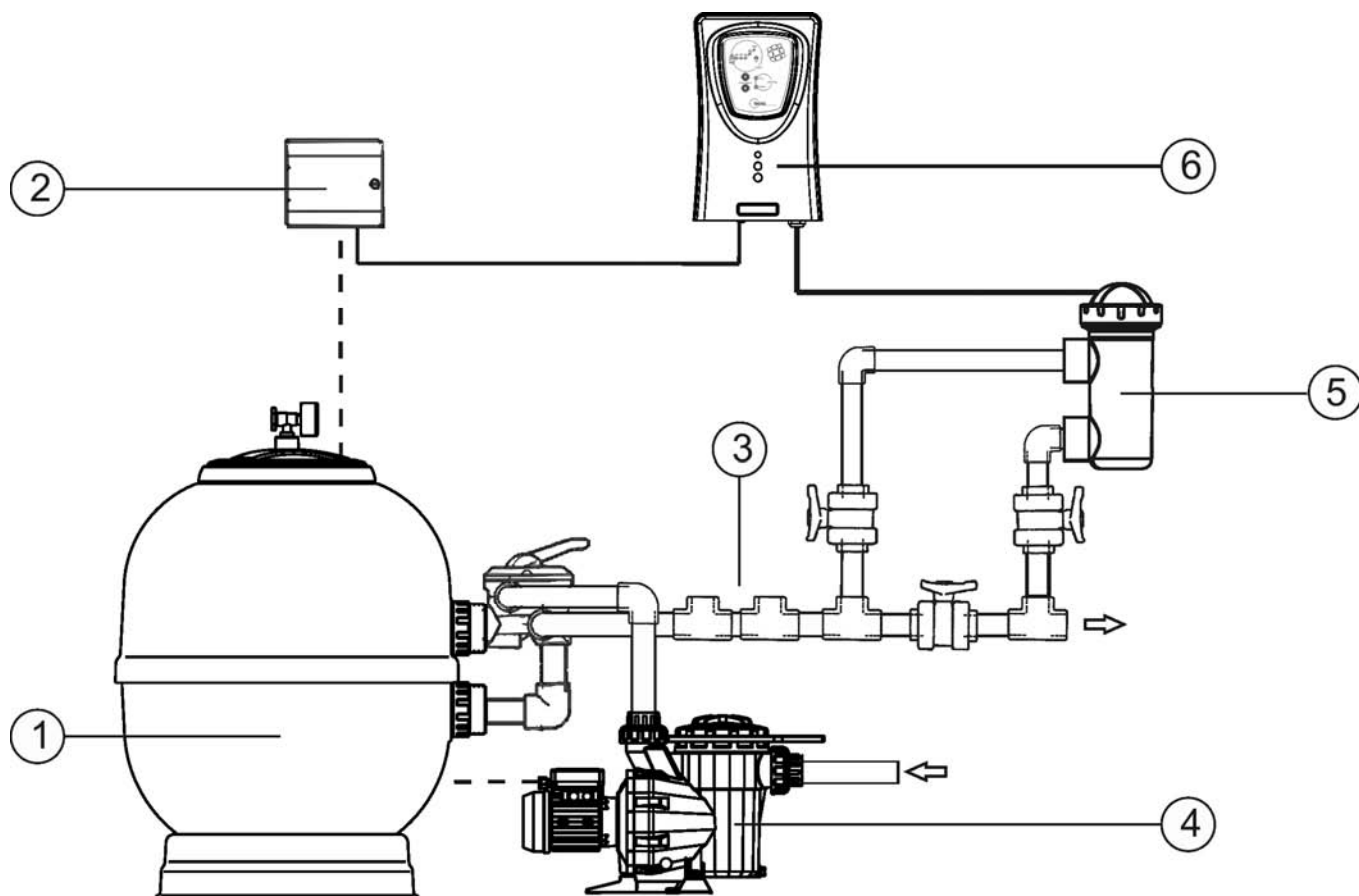
DESCRIPCION	MODELO				
	MOD.7 MOD.7 PH	MOD.12 MOD.12 PH	MOD.21 MOD.21 PH	MOD.30 MOD.30 PH	MOD.40 MOD.40 PH
Tensión de servicio	230 V AC, 50 Hz./60 Hz.				
Salida (dc)	3.5 A x 2	6 A x 2	3.5 A x 6	6 A x 5	6.5 A x 6
Producción (g/h)	6 - 7	10 - 12	17 - 21	24 - 30	31 - 40
Capacidad piscina (m ³) Templado: 16 - 24°C Cálido: +25°C	40 25	60 50	100 80	160 120	200 160
Detector flujo	Detector gas				
Rango de Salinidad / Temperatura	3 - 12 g./l. / +15 - 40°C				
Electrodos	Titanio con recubrimiento AUTO-LIMPIANTE, calidad ESTANDAR Duración estimada: 8.000 - 10.000 horas (dependiendo de la calidad de agua) ⁽²⁾				
Control producción	0 - 100 % (5 niveles de producción)				
Inversión polaridad	Programable: 2 ⁽¹⁾ / 3 horas (jumper en plac de control) + modo test				
Protección nivel de sal	Protección automática de producción				

⁽¹⁾ Configuración fábrica.⁽²⁾ En condiciones ideales: salinidad (6 g/l), pH (7.2), dureza agua (120 mg/l) and caudal mínimo.**CELULA DE ELECTROLISIS**

DESCRIPCION	MODELO				
	MOD.7 MOD.7 PH	MOD.12 MOD.12 PH	MOD.21 MOD.21 PH	MOD.30 MOD.30 PH	MOD.40 MOD.40 PH
Caudal mínimo	1 m ³ /h	2 m ³ /h	3 m ³ /h	5 m ³ /h	6 m ³ /h
Número de electrodos	3	5	7	11	13
Material	Derivado metacrilato				
Conexión a tubería	Encolado mediante adhesivo para tubo PVC Ø 63 mm.				
Presión máxima recomendada	1 Kg./cm ²				
Temperatura de trabajo	Menos de 40°C				

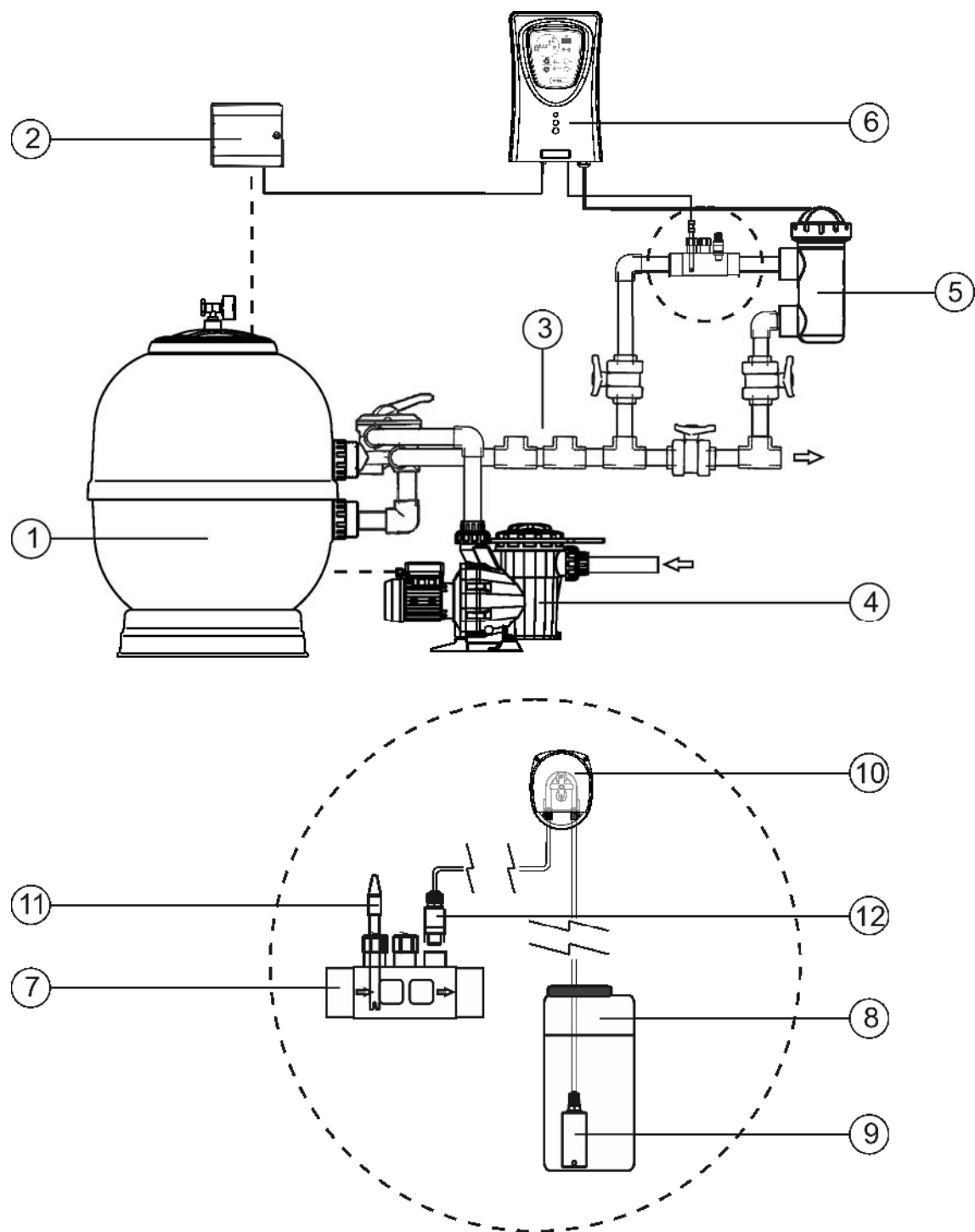
CONTROLADOR DE PH (sólo en modelos MOD. XX-PH)

DESCRIPCION	MODELO				
	MOD.7 PH	MOD.12 PH	MOD.21 PH	MOD.30 PH	MOD.40 PH
Rango de medida	0.0 - 9.9 (pH)				
Rango de control	7.0 - 7.8 (pH)				
Precisión	± 0.1 pH				
Calibración	Automática mediante disoluciones patrón 7.0 / 4.0 (pH)				
Salidas de control [pH]	Una salida 230 VAC / 500 mA para conexión de bomba dosificadora				
Sensores pH	Cuerpo en epoxy, 12x150 mm., unión sencilla, 0-80°C color AZUL, rango 0 - 12 (pH)				



- 1.- Filtro.
- 2.- Cuadro de maniobra.
- 3.- Otros equipamientos (intercambiador de calor, UV, etc.).
- 4.- Bomba.
- 5.- Célula de electrolisis.
- 6.- Fuente de alimentación.

Fig.1 Diagrama de instalación recomendada (equipos MOD. XX).



- | | |
|-----------------------------|------------------------------|
| 1.- Filtro. | 7.- Porta-sondas (opcional). |
| 2.- Cuadro de maniobra. | 8.- Tanque ph-minus. |
| 3.- Otros equipamientos. | 9.- Filtro aspiración. |
| 4.- Bomba. | 10.- Bomba dosificadora. |
| 5.- Célula de electrolisis. | 11.- Sonda de pH. |
| 6.- Fuente de alimentación. | 12.- Válvula inyección. |

Fig.2 Diagrama de instalación recomendada (equipos MOD. XX-PH).

4. INSTALACION:

4.1. Instalación de la fuente de alimentación

Instalar siempre la FUENTE DE ALIMENTACIÓN del sistema de forma VERTICAL y sobre una superficie (pared) rígida tal y como se muestra en el diagrama de instalación recomendada (Figs. 1,2). Para garantizar su buen estado de conservación, debe procurarse instalar siempre el equipo en un lugar seco y bien ventilado. El grado de estanqueidad de la FUENTE DE ALIMENTACION del sistema no permite su instalación a la intemperie. La FUENTE DE ALIMENTACION debería ser preferiblemente instalada lo suficientemente alejada de la célula de electrolisis de forma que no pueda sufrir salpicaduras de agua de forma accidental.

De manera especial, evite la formación de ambientes corrosivos debidos a las soluciones minoradoras del pH (concretamente las formuladas con ácido clorhídrico "HCl"). No instale el sistema cerca de los lugares de almacenamiento de estos productos. Recomendamos encarecidamente el uso de productos basados en bisulfato sódico o ácido sulfúrico diluido. La conexión de la fuente de alimentación a la red eléctrica debe efectuarse en el cuadro de maniobra de la depuradora, de forma que la bomba y el sistema se conecten simultáneamente.

4.2. Instalación de la célula de electrolisis

La célula de electrolisis está fabricada de un polímero transparente en cuyo interior se alojan los electrodos. La célula de electrolisis debería instalarse en un lugar protegido de la intemperie y **siempre detrás del sistema de filtración** y de cualquier otro dispositivo en la instalación como bombas de calor, sistemas de control, etc.

La instalación de la misma debería permitir el fácil acceso del usuario a los electrodos instalados. La célula de electrolisis siempre debe situarse en un lugar de la tubería que pueda ser aislado del resto de la instalación mediante dos válvulas, de tal modo que se puedan efectuar las tareas de mantenimiento de la misma sin necesidad de vaciar total o parcialmente la piscina.

En caso de que la célula se instale en by-pass (opción recomendada), se deberá introducir una válvula que regule el caudal a través de la misma. Antes de proceder a la instalación definitiva del sistema se deberían tener en cuenta los siguientes comentarios:

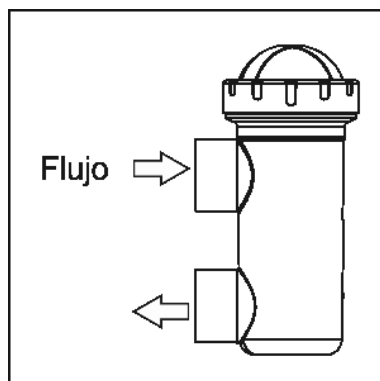


Fig. 3

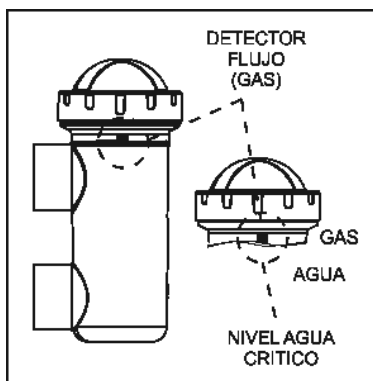


Fig. 4

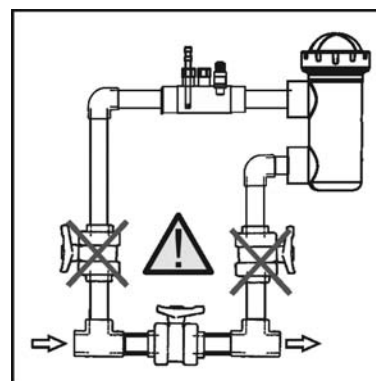


Fig. 5

1. Debe respetarse el sentido de flujo marcado en la célula. El sistema de recirculación debe garantizar el caudal mínimo consignado en la Tabla de Características Técnicas (ver apartado 9).

2. El sistema detector de flujo (detector gas) se activa en caso de que no haya recirculación (flujo) de agua a través de la célula o bien que éste sea muy bajo. La no evacuación del gas de electrolisis genera una burbuja que aísla eléctricamente al electrodo auxiliar (detección electrónica). Por lo tanto, al introducir los electrodos en la célula, el detector de gas (electrodo auxiliar) deberá quedar situado en la parte superior de la misma. La disposición más segura es la del diagrama de instalación recomendada.

3. **ATENCIÓN:** el detector de flujo (detector gas) no funcionará correctamente, con el consiguiente riesgo de ruptura de la célula, si se cierran simultáneamente las válvulas de entrada y salida a la tubería donde va instalada la célula de electrolisis. Aunque resulta una situación inusual, **se puede evitar bloqueando, una vez instalado el equipo, la válvula de retorno hacia la piscina**, de forma que no pueda ser manipulada accidentalmente.

Otras disposiciones sólo serían aceptables si permitieran igualmente la detección de burbujas de gas debidas a un caudal de paso de agua a través de la célula demasiado bajo.

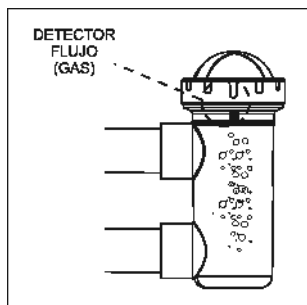


Fig. 6

Instalación RECOMENDADA

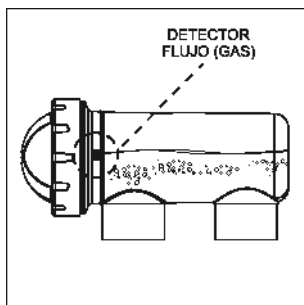


Fig. 7

Instalación ADMISIBLE

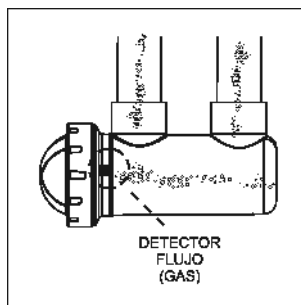


Fig 8

Instalaciones NO ADMISIBLES

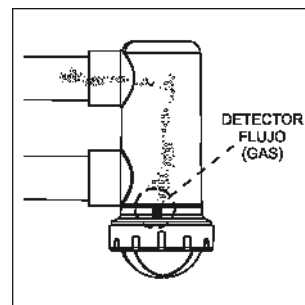


Fig 9

Los electrodos de los modelos deberán ser introducidos en el interior de la célula de electrolisis encajando el electrodo central del conjunto a través de las guías situadas en los cuadrantes del cuerpo de la misma.

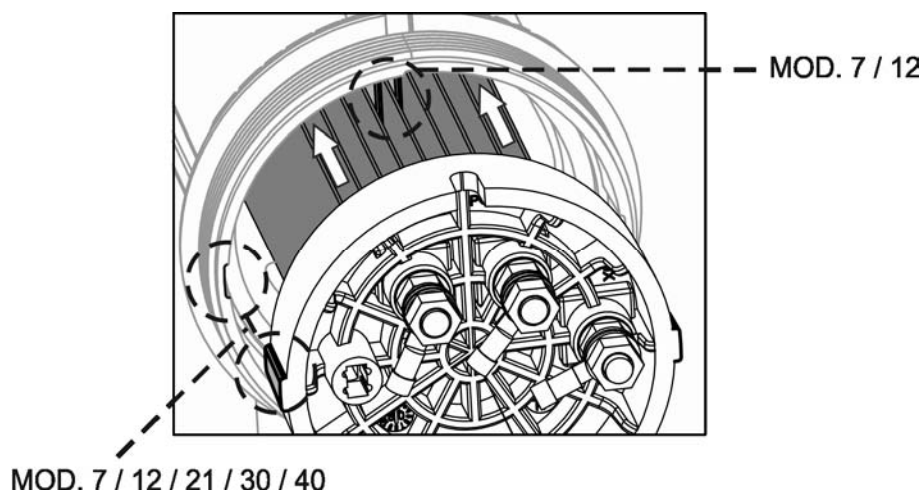


Fig 10

4.3. Conexiones eléctricas de la célula de electrolisis

Realizar la interconexión entre la célula de electrolisis y la fuente de alimentación según los siguientes esquemas. Debido a la relativamente elevada intensidad de corriente que circula por los cables de la célula de electrolisis, en ningún caso debe modificarse la longitud ni la sección de los mismos sin consultar previamente a su distribuidor autorizado. El cable de conexión célula-fuente de alimentación nunca debe exceder la longitud máxima recomendada en este Manual: MOD.7 (3.5 A), 15 m.; MOD.12 (6 A), 8 m.; MOD.21 (3.5 A), 30 m.; MOD.30 (6 A), 20 m; MOD.40 (6 A), 20 m.

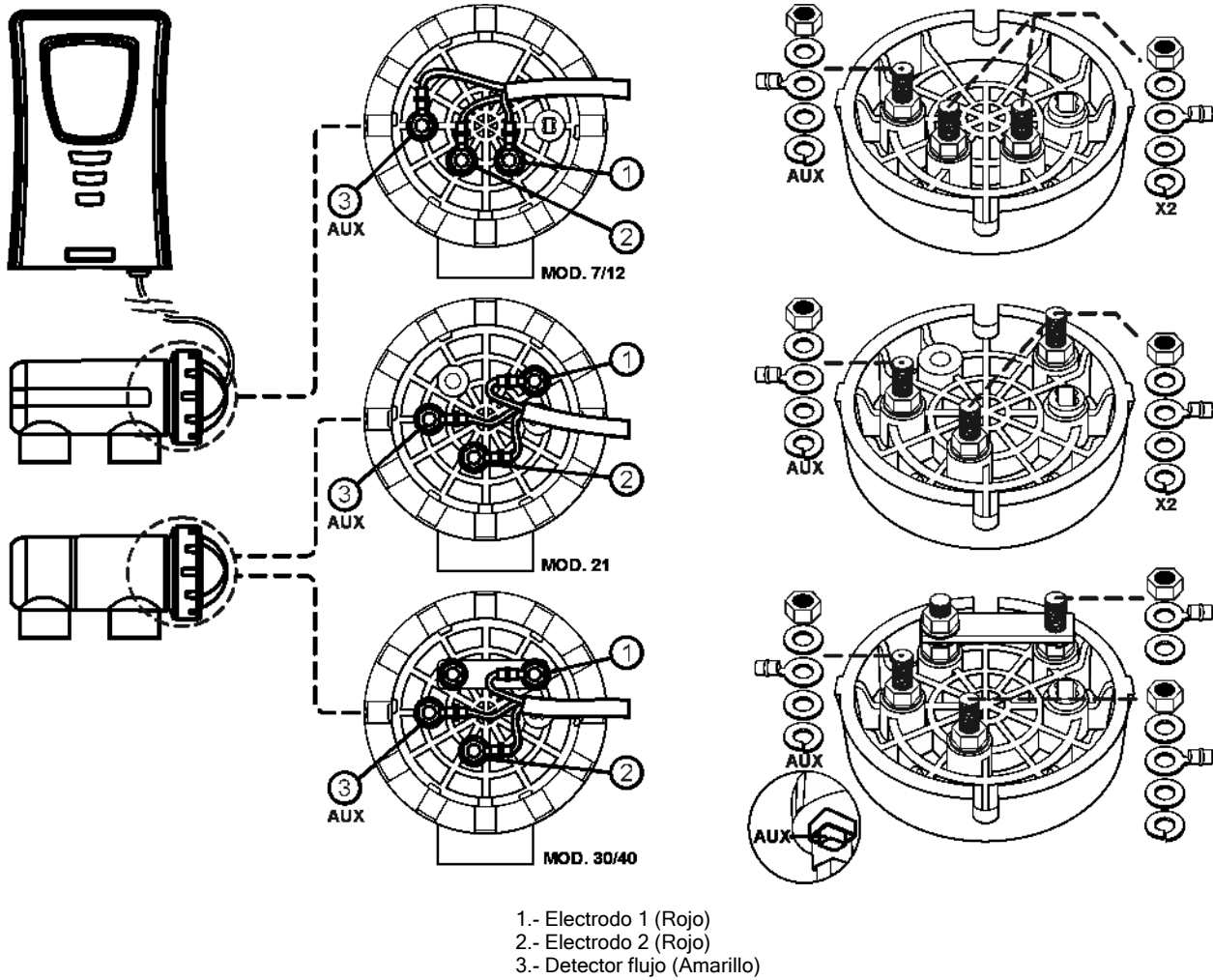


Fig.11

4.4. Instalación de la sonda de pH (solo en equipos MOD. XX-PH)

1. Insertar la sonda de pH suministrada con el equipo en el alojamiento correspondientes del portasondas. (Fig. 12)
2. Para ello, aflojar la tuerca del racor e insertar el sensor en el mismo.
3. El sensor debe introducirse en el racor de forma que se garantice que el sensor situado en su extremo queda siempre sumergido en el agua que circula por la tubería.
4. **Instalar siempre la sonda de pH preferiblemente en posición vertical o con una inclinación máxima de 40°** (Fig. 13).

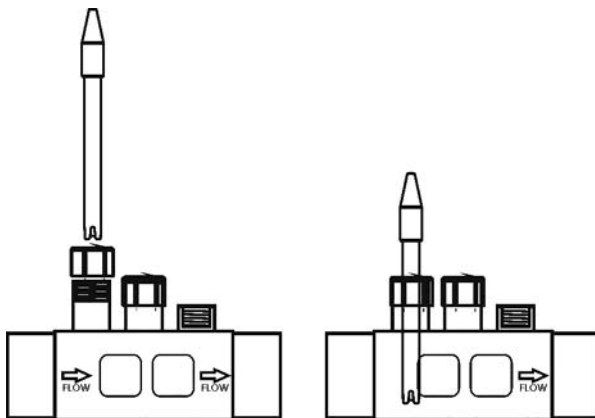


Fig. 12

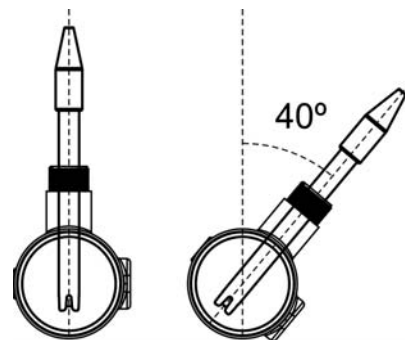


Fig. 13

4.5. Controles e indicadores

Los sistemas de Electrolisis Salina están equipados con un panel de control situado en su frontal (Figs. 14,15).

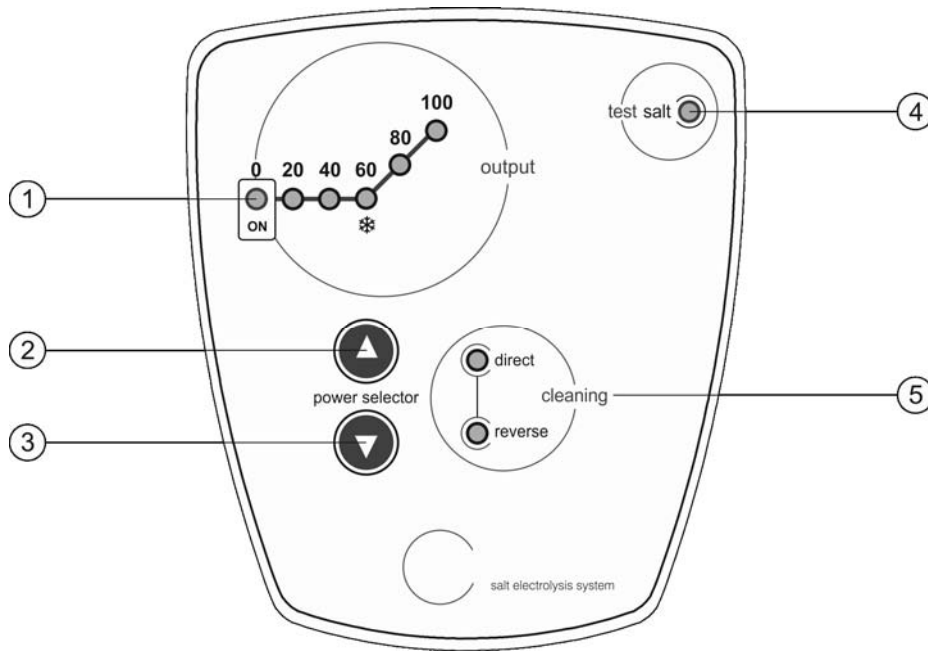


Fig. 14. Panel de control sistemas MOD. XX

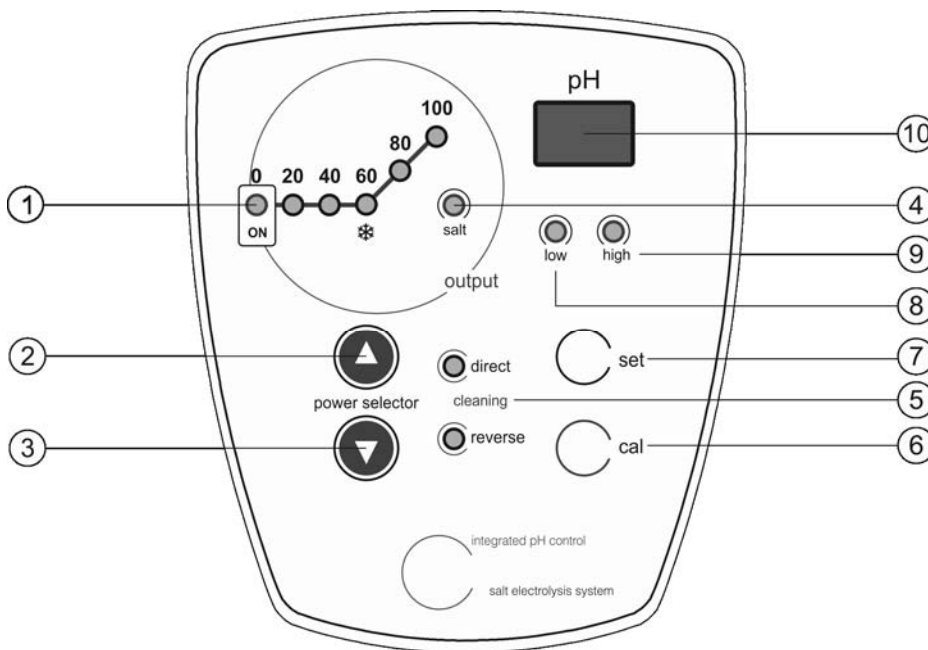


Fig. 15. Panel de control sistemas MOD. XX-PH

- | | |
|--|--|
| 1. Escala de producción (%) | 6. Tecla para MODO CALIBRACION pH |
| 2. Tecla "▲" (aumentar producción) | 7. Tecla para programar el valor de pH deseado. |
| 3. Tecla "▼" (disminuir producción) | 8. Indicador ALARMA pH BAJO (< 6.5) |
| 4. ALARMA SALINIDAD (alta/baja) | 9. Indicador ALARMA pH ALTO (> 8.5) |
| 5. Indicadores AUTO-LIMPIEZA (polaridad DIRECTA/INVERSA) | 10. Pantalla de indicación (valor/consigna de pH del agua) |

4.6. Programación y control

Además de las operaciones básicas, el Sistema de Electrolisis de Sal dispone de una entrada para control externo mediante un controlador de ORP, cloro residual, etc.; así como una para el ajuste de la producción del equipo al activarse la cubierta automática de la piscina. Además permite la configuración de tres modos de AUTOLIMPIEZA de los electrodos: TEST, 2/2, 3/3 horas.

- **Sistema de AUTOLIMPIEZA DE ELECTRODOS:** los leds [5] indican el estado de polarización de los electrodos (directa/inversa). La frecuencia de inversión se puede seleccionar mediante el jumper "JP1" situado en la placa del control del sistema (Fig. 16). Esta configuración se hará efectiva cuando el equipo se desconecte y se vuelva a conectar.
- **Control CUBIERTA AUTOMÁTICA:** el sistema dispone de una entrada para contacto libre de tensión. Cuando el contacto conectado a esta entrada se cierra (cubierta automática CERRADA), el sistema de electrolisis reduce su producción al **10%** de su valor nominal (se encenderá el led "20%" de la escala de producción).
- **Control EXTERNO:** el sistema dispone de una entrada auxiliar adicional para contacto libre de tensión. Esta entrada se puede utilizar para hacer interactuar el sistema de electrolisis con un controlador externo (ORP, CLORO RESIDUAL, FOTOMETRO, etc.). Cuando el contacto conectado a esta entrada está ABIERTO, el sistema de electrolisis se detiene. Para activar esta entrada deberá colocarse el jumper "JP2" situado en la placa de control de la unidad. Esta configuración se hará efectiva cuando el equipo se desconecte y se vuelva a conectar.

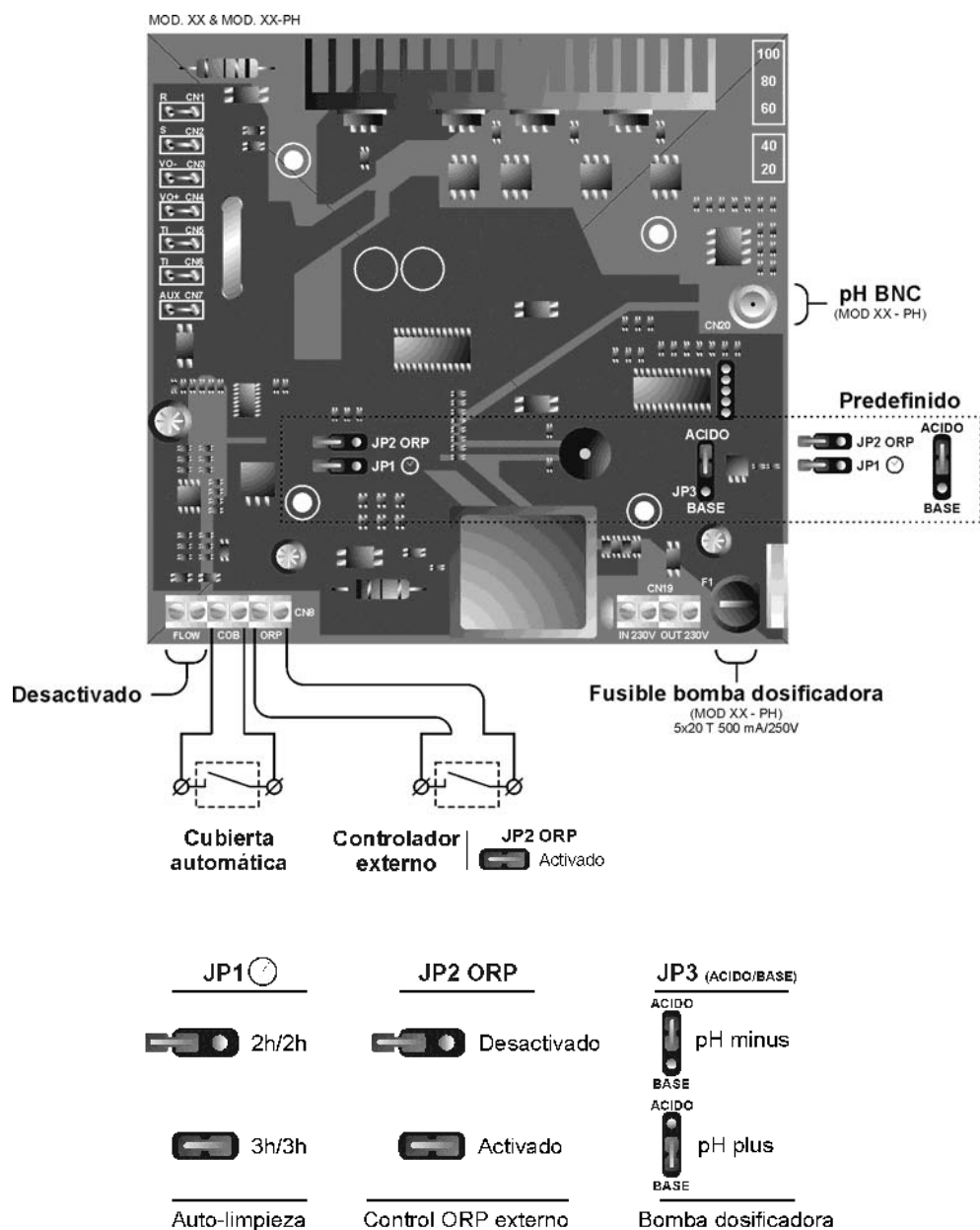


Fig. 16

4.7. Desmontaje carátula.

1. Quitar el embellecedor (A) situado en la parte frontal de la carátula.
2. Desenroscar el tornillo de fijación (B) a la base del equipo.
3. Retirar la carátula deslizando la misma hacia arriba y hacia fuera.

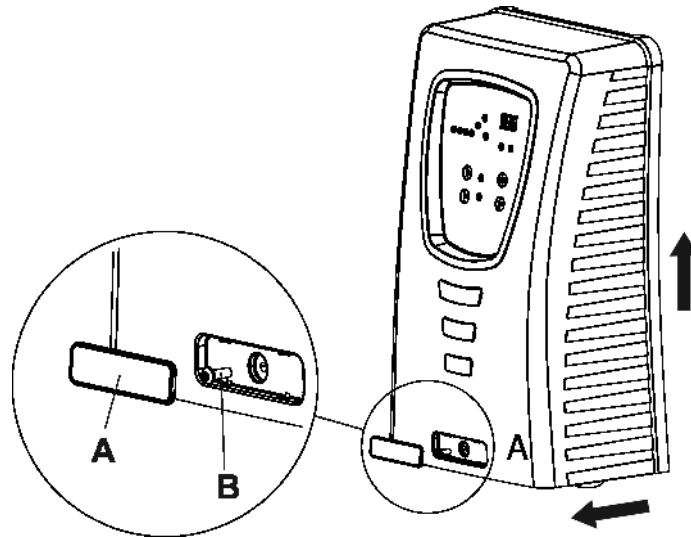


Fig. 17

4.8. Puesta en marcha

1. Asegurarse que el filtro esté limpio al 100%, y que la piscina y la instalación no contenga cobre, hierro y algas, así como que cualquier equipo de calefacción instalado sea compatible con la presencia de sal en el agua.
2. Equilibrar el agua de la piscina. Esto nos permitirá obtener un tratamiento más eficiente con una menor concentración de cloro libre en el agua, así como un funcionamiento más prolongado de los electrodos unido a una menor formación de depósitos calcáreos en la piscina.

a) El pH debe ser de 7.2-7.6

b) La alcalinidad total debe ser de 60-120 ppm.

3. Aunque el sistema puede trabajar en un rango de salinidad de 3 - 12 g/l., se debe intentar mantener el nivel óptimo de sal recomendado de 5 g/l, añadiendo 5 Kg. por cada m³ de agua si el agua no contenía sal previamente. Utilizar siempre sal común (cloruro sódico), sin aditivos como yoduros o antiapelmazante, y con calidad de apta para consumo humano. No agregar nunca la sal a través de la célula. Añadir directamente a la piscina o en el vaso de compensación (lejos del sumidero de la piscina).

4. Al añadir la sal, y en caso que la piscina vaya a ser utilizada de forma inmediata, efectuar un tratamiento con cloro. Como dosis inicial, se pueden añadir 2 g./m³ de ácido tricloroisocianúrico.

5. Antes de iniciar el ciclo de trabajo, desconectar la fuente de alimentación y poner la bomba del depurador en marcha durante 24 horas para asegurar la completa disolución de la sal.

6. A continuación poner en marcha el sistema de electrolisis salina, situando el nivel de producción del mismo, de forma que se mantenga el nivel de cloro libre dentro de los niveles recomendados (0.5 - 1.5 ppm).

NOTA: para poder determinar el nivel de cloro libre deberá emplear un kit de análisis.

7. En piscinas con fuerte insolación o utilización intensiva, es aconsejable mantener un nivel de 25-30 g./m³ de estabilizante (ácido isocianúrico). En ningún caso, deberá excederse un nivel de 75 g./m³. Esto será de gran ayuda para evitar la destrucción del cloro libre presente en el agua por la acción de la luz solar.

5. FUNCIONAMIENTO:



5.1. **Sistema detenido**

El sistema entra en modo "EN ESPERA" cuando se pulsa sucesivamente la tecla "▼" [3] hasta que el led de "0 %" quede parpadeando. En esta situación no hay producción en la célula de electrolisis.

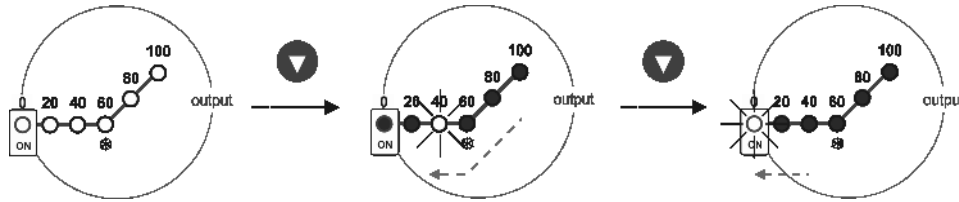


Fig. 18

5.2. **Selección del nivel de producción**

Para seleccionar el nivel de producción deseado, pulsar sucesivamente las teclas "▼" [3] / "▲" [2] hasta que el led correspondiente al nivel de producción deseado quede parpadeando. Transcurridos unos segundos, el sistema situará su producción en el nivel seleccionado.

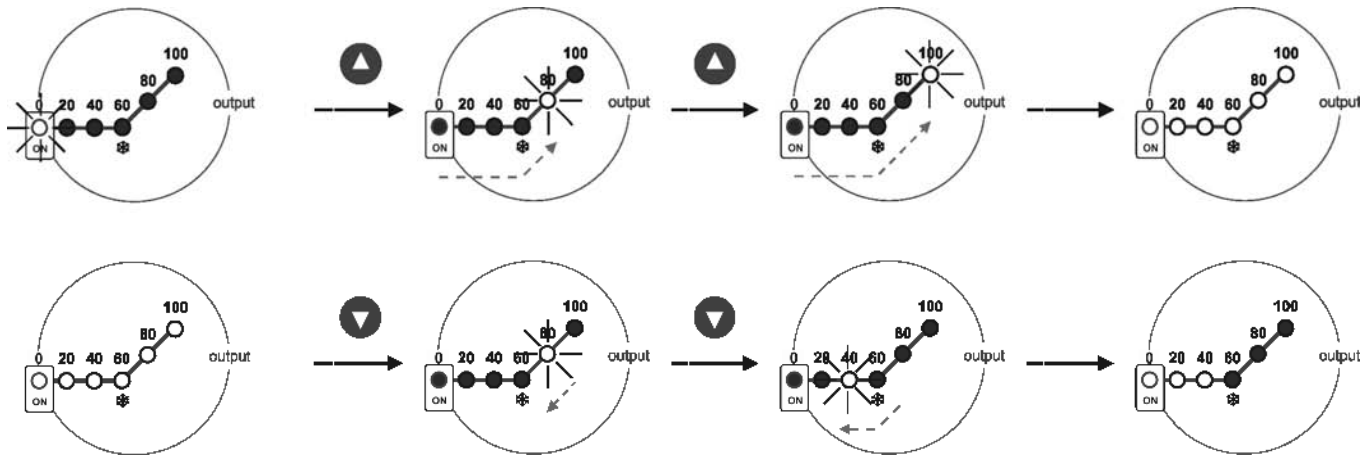


Fig. 19

El setpoint de producción programado se podrá ver en todo momento pulsando una vez la tecla "▼" [3] o la tecla "▲" [2].



Modo INVIERNO: durante periodos de baja temperatura en el agua, en los que la demanda de cloro va a ser baja, seleccionar un nivel de producción [1] del 60%, ya que de esta manera se optimiza el consumo eléctrico y la duración del paquete de electrodos.

5.3. **Modo TEST**

Para entrar en MODO TEST, bajar el nivel de producción a "0 %" mediante sucesivas pulsaciones de la tecla "▼" [3] (Fig. 20)

Una vez parado el sistema mantener pulsada esta misma tecla durante 10 segundos. El sistema indicará que ha entrado en MODO TEST iluminando todos los led durante un segundo. Cuando el sistema se encuentra en MODO TEST, los leds indicadores de polaridad "cleaning", parpadean.

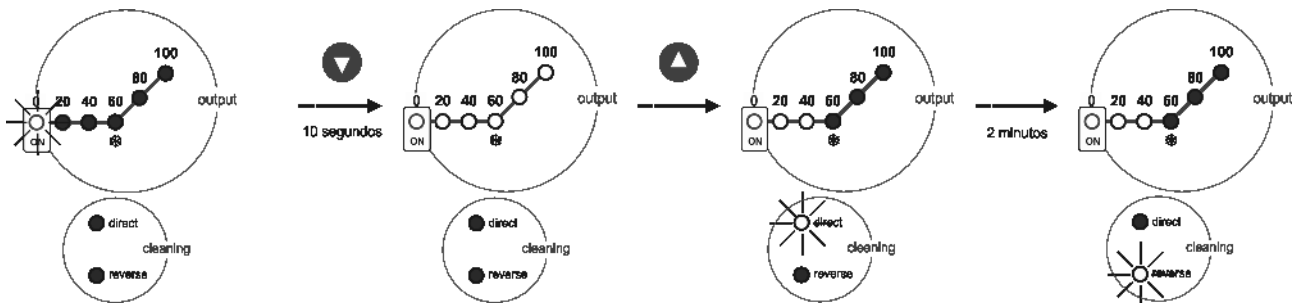


Fig. 20

En MODO TEST, el sistema pone a cero el temporizador de cambio de polaridad y el nivel de producción seleccionado. En este modo el sistema está totalmente operativo, efectuándose las inversiones de polaridad de los electrodos **cada 2 minutos**. Para salir del MODO TEST, será necesario desconectar durante unos segundos la alimentación del equipo. Al conectarla de nuevo, el sistema vuelve automáticamente al programa de auto-limpieza anterior.

5.4. Controlador de pH integrado (modelos MOD-XX PH)

El controlador de pH integrado sale de fábrica calibrado y con los siguientes parámetros de programación.

PUNTO DE CONSIGNA (SET) pH="7.2"

IMPORTANTE: para conseguir una correcta regulación del pH, asegúrese que la alcalinidad del agua está en el rango óptimo recomendado de 60-120 ppm de CaCO₃. Utilice un kit para comprobar el nivel de Alcalinidad Total del agua, y ajústela manualmente en caso de ser necesario.

5.4.1. CONEXION DE LA Sonda DE PH

Conectar el sensor de pH suministrado con la unidad al conector BNC correspondiente situado en la base de la unidad (Fig. 21).

5.4.2. CONEXION DE LA BOMBA DOSIFICADORA

Los sistemas MOD. XX-PH disponen de un conector en su base para la conexión de una bomba dosificadora para el control del pH del agua de la piscina. La bomba dosificadora puede conectarse por medio del conector CEE22 suministrado a tal efecto junto con el equipo (Fig. 21).

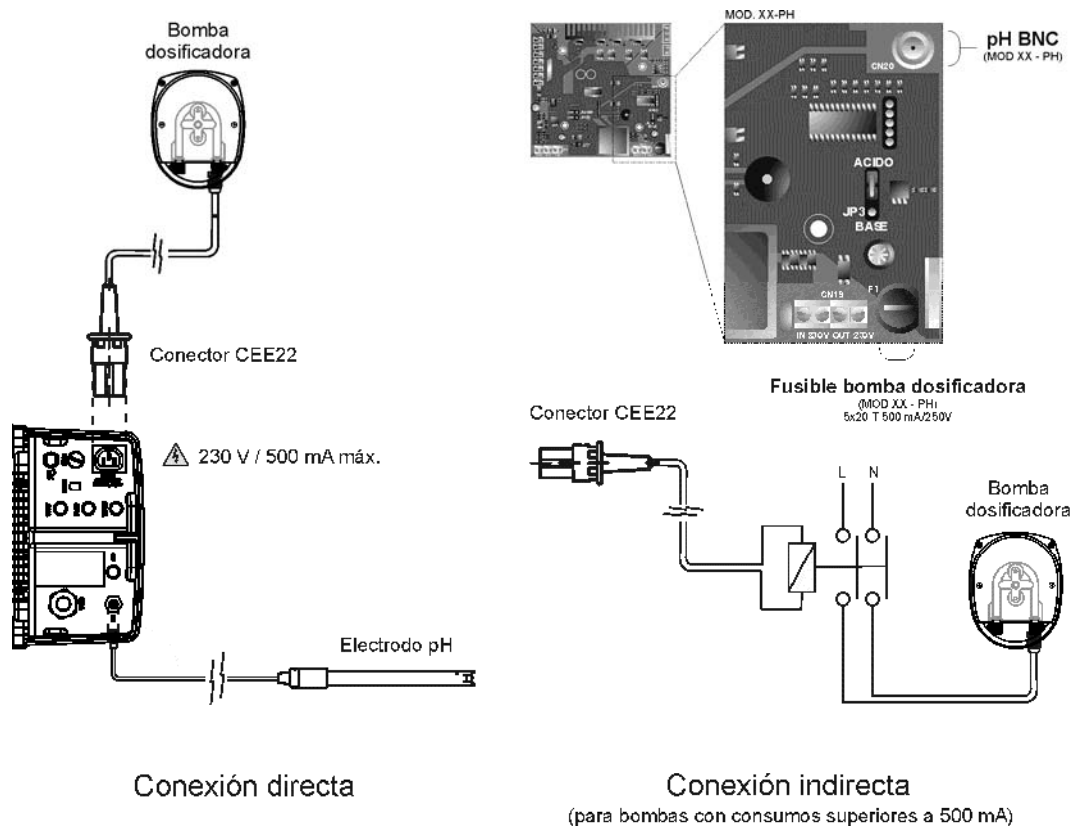


Fig. 21

5.4.3. PROGRAMACION DEL VALOR DE PH DESEADO

Mantener pulsada la tecla "SET" [7] hasta que la pantalla [10] indique el valor de pH deseado dentro del el rango 7.0 - 7.8. Una vez seleccionado, soltar.

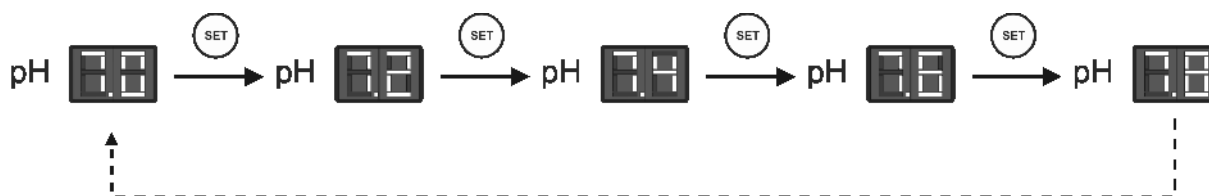


Fig. 22

El setpoint de pH programado se podrá ver en todo momento pulsando una vez la tecla "SET" [7].

5.4.4. CONFIGURACION DE LA PARADA DE SEGURIDAD DE LA BOMBA DOSIFICADORA (FUNCION PUMP_STOP)

El controlador de pH integrado dispone de un sistema de seguridad (FUNCION PUMP-STOP) que actúa sobre la bomba dosificadora el cual permite evitar las siguientes situaciones:

- Daños en la bomba al funcionar en vacío (producto pH minus agotado).
- Sobre-dosificación de producto minorador de pH (sensor dañado o agotado).
- Problemas de regulación del pH debido a una elevada alcalinidad en el agua (llenado de piscina, niveles de carbonato elevados).

Cuando la FUNCION PUMP-STOP esté activada (configurada por defecto), el sistema detendrá la bomba dosificadora transcurrido el tiempo programado sin que se haya alcanzado el valor de consigna de pH.

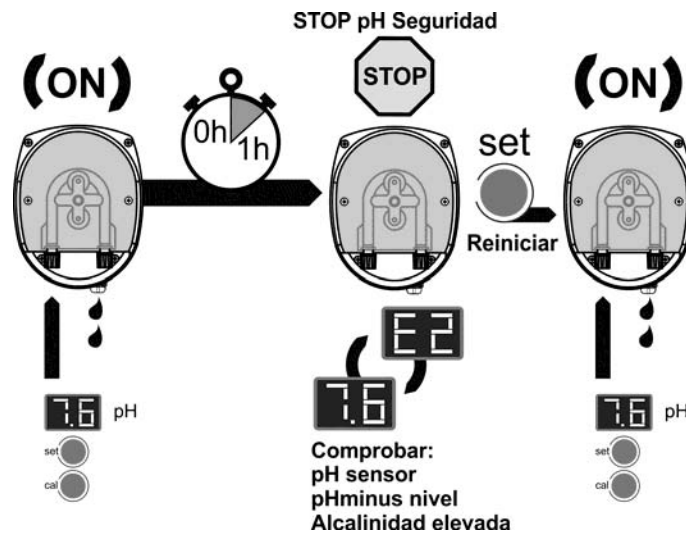


Fig. 22b

La FUNCION PUMP-STOP viene configurada de fábrica a 60 MINUTOS. Para modificar este valor, realizar el siguiente procedimiento:

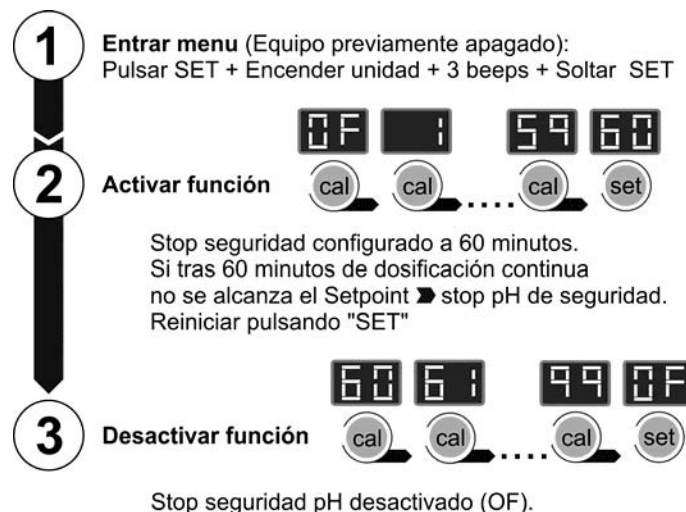


Fig. 22c

5.5. **Alarmas**

- **NIVEL DE SAL ALTO**

En caso que se hubiera añadido sal en exceso, la fuente de alimentación disminuirá el nivel de potencia respecto del seleccionado de forma automática. El led "salt" [4] permanecerá iluminado. En este caso, vaciar una parte de la piscina (por ejemplo, un 10%), y añadir agua fresca para disminuir la concentración de sal. Para un conocimiento preciso del nivel de sal recomendamos que utilice un medidor portátil de salinidad-temperatura.

- **NIVEL DE SAL BAJO**

En caso que el nivel de sal en el agua de la piscina estuviese por debajo del recomendado, la fuente de alimentación no podrá alcanzar el nivel de salida seleccionado. El led "salt" [4] parpadeará. Es posible que el sistema indique niveles de sal inferiores a los reales si la temperatura del agua fuese inferior a 20°C o si el paquete de electrodos ha alcanzado el final de su vida útil. En este caso, determinar el nivel salino del agua y añadir la cantidad de sal necesaria. El tipo de sal común (NaCl) indicada para electrolisis salina no debe presentar aditivos (antiapelmazantes, yoduros) y debe ser apta para el consumo humano. Para un conocimiento preciso del nivel de sal recomendamos que utilice un medidor portátil de salinidad-temperatura.

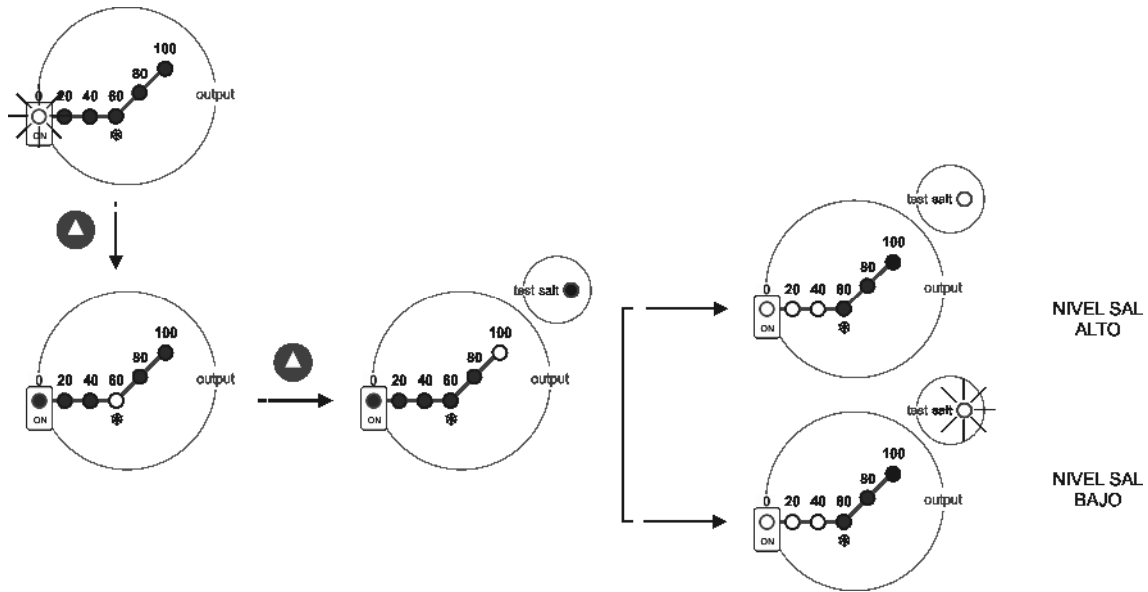
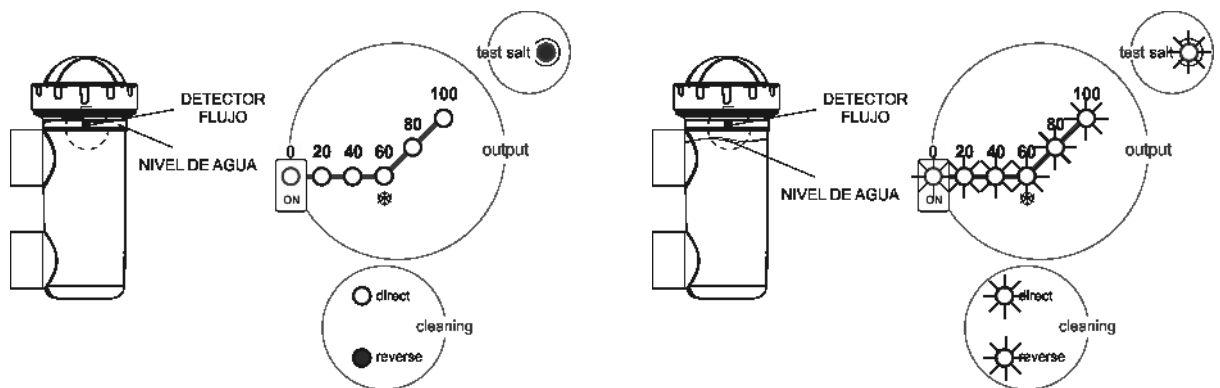


Fig. 23

- **NIVEL DE AGUA EN CELULA / DETECTOR DE FLUJO (GAS)**

Si en cualquier momento se formara una burbuja de aire o gas en la parte superior de la célula de electrolisis y el DETECTOR DE FLUJO no estuviese sumergido, el sistema desconectará automáticamente la salida de corriente hacia los electrodos, quedando todos los leds del panel de control parpadeando. El sistema se rearma automáticamente una vez se restituye el paso de agua por la célula o la burbuja es evacuada.



1. Detector de gas sumergido. Sistema operativo.

2. Gas detectado. Sistema detenido.

Fig. 24

- **CONTROL EXTERNO [JP2] ACTIVADO**

Cuando el controlador externo detecta un valor superior al setpoint fijado, desconecta automáticamente la producción y el led "0%" de la escala de producción [1] emite destellos intermitentes.

- **VALOR PH FUERA DE RANGO (sólo en modelos MOD. XX-PH)**

El controlador de pH integrado dispone de dos led ALARMA, los cuales se iluminan siempre que se detecte un valor anómalo de pH inferior a 6.5 "low" [8] o superior a 8.5 "high" [9]. Cuando el regulador detecta una alarma de PH activa, abre la salida de control de la bomba dosificadora (pH), quedando ésta desconectada por seguridad.

6. MANTENIMIENTO:

6.1. Mantenimiento de la célula de electrolisis

La célula debe mantenerse en condiciones adecuadas para asegurar un largo tiempo de funcionamiento. El sistema de electrolisis salina dispone de un sistema de limpieza automática de los electrodos que evita que se formen incrustaciones calcáreas sobre los mismos, por lo que no es previsible que sea necesario efectuar limpieza alguna de los mismos. No obstante, si fuese necesario efectuar la limpieza en el interior de la célula, proceder de la siguiente forma:

1. Desconectar la alimentación 230 Vac del equipo.
2. Desenroscar la tuerca de cierre situada en el extremo donde se encuentran los electrodos y sacar el paquete de electrodos.
3. Utilizar una solución diluida de ácido clorhídrico (una parte de ácido en 10 partes de agua), sumergiendo el paquete de electrodos en la misma durante 10 minutos como máximo.
4. NUNCA RASPAR NI CEPILLAR LA CÉLULA O LOS ELECTRODOS.

Los electrodos de un sistema de electrolisis salina están constituidos por láminas de titanio recubiertas de una capa de óxidos de metales nobles. Los procesos de electrolisis que tienen lugar sobre su superficie producen su desgaste progresivo, por lo que, con el fin de optimizar el tiempo de duración de los mismos, se deberían tener en cuenta los siguientes aspectos:

1. Pese a que se trata de sistemas de electrolisis salina AUTOLIMPIANTES, un funcionamiento prolongado del sistema a valores de pH por encima de 7,6 en aguas de elevada dureza puede producir la acumulación de depósitos calcáreos sobre la superficie de los electrodos. Estos depósitos deteriorarán progresivamente el recubrimiento, ocasionando una disminución de su tiempo de vida útil.
2. La realización de limpiezas/lavados frecuentes de los electrodos (como los descritos anteriormente) acortará su vida útil.
3. El funcionamiento prolongado del sistema a salinidades inferiores a 3 g./l. ocasiona un deterioro prematuro de los electrodos.
4. La utilización frecuente de productos algicidas con altos contenidos de cobre, puede producir la deposición del mismo sobre los electrodos, dañando progresivamente el recubrimiento. Recuerde que el mejor algicida es el cloro.

6.2. Calibración del electrodo de pH (sólo en modelos XX-PH)

El controlador de pH integrado dispone de dos modos de calibración del electrodo de pH: "FAST" (rápido) y "ESTANDAR". Resulta recomendable efectuar un calibración del electrodo de pH al menos una vez al mes.

6.2.1. MODO "FAST"

El modo "FAST" permite la calibración rutinaria del electrodo frente a pequeñas desviaciones del mismo **sin necesidad de extraer el electrodo de la instalación ni la utilización de disoluciones patrón.**

PROCEDIMIENTO:

1. Asegurarse que el punto donde se encuentra insertado el electrodo está inundado, y la depuradora está en recirculación.
2. Mediante un kit de medida de pH, medir el pH actual del agua de la piscina.
3. Pulsar la tecla "CAL" [6] durante 5 seg. aproximadamente hasta que el equipo emita un pitido y soltar la tecla. La pantalla de indicación del valor de pH programado [10], indicará "7.0" parpadeando.
4. Mantener pulsada la tecla "SET" [7] hasta que aparezca el valor de pH medido en el agua anteriormente mediante el correspondiente kit. Una vez alcanzado, soltar y pulsar la tecla "CAL" [6]. Si no se ha detectado ningún error, el sistema habrá quedado calibrado.

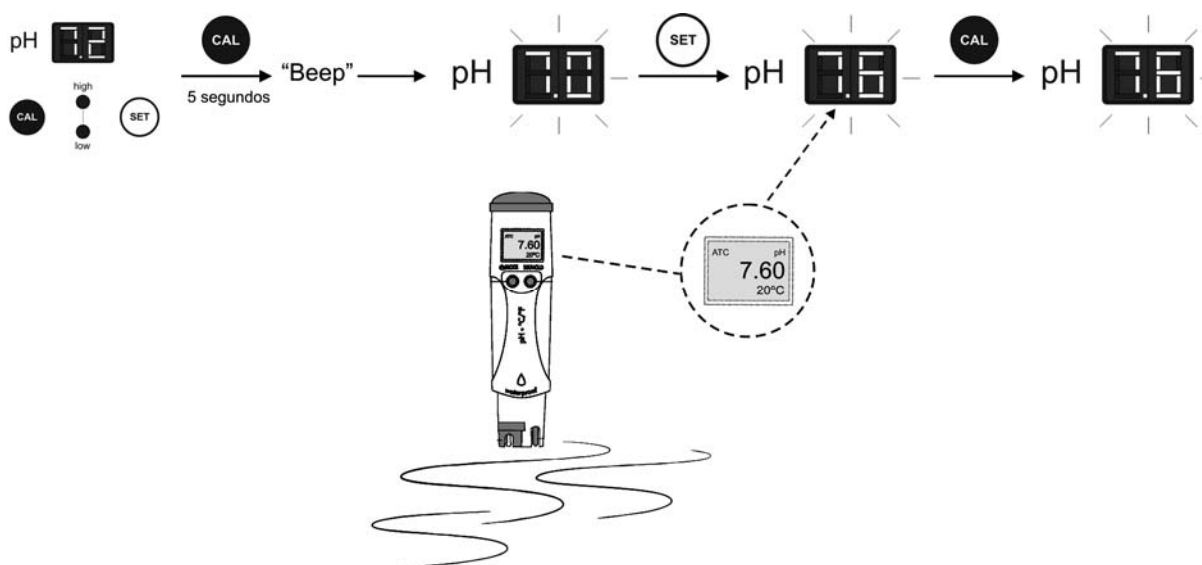


Fig. 25

6.2.2. MODO "ESTANDAR"

El modo "ESTANDAR" permite la calibración precisa del electrodo mediante el empleo de dos disoluciones patrón de pH 7.0 y 4.0, sin embargo requiere la extracción del electrodo de la instalación.

PROCEDIMIENTO:

IMPORTANTE: antes de proceder al cierre de las válvulas del by-pass, detener el sistema tal y como se describe en el apartado 5.1.

1. Extraer el electrodo del portasondas y lavarlo con abundante agua.



Fig. 26

2. Pulsar la tecla "CAL" [6] aproximadamente durante 5 segundos hasta que el equipo emita un pitido, y sin soltar ésta, pulsar la tecla "SET" [7] durante unos segundos, hasta que la pantalla de indicación de pH [10] indique "7.0" parpadeando.
3. Agitar suavemente el electrodo para desprender las gotas de agua que pudiesen quedar adheridas al mismo e introducirlo en la disolución patrón pH=7.0 (color verde). Agitar suavemente unos segundos y pulsar la tecla "CAL" [6]. Una vez estabilizada la lectura, en la pantalla [10] parpadeará la indicación "4.0".

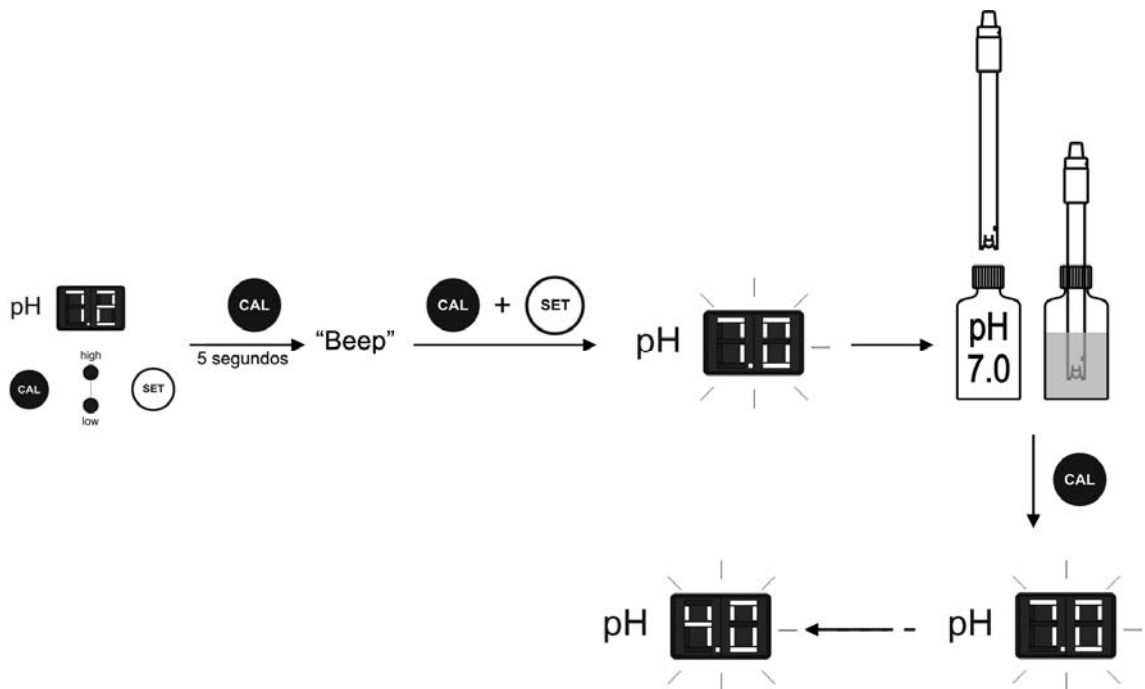


Fig. 27

4. Sacar el electrodo de la disolución y enjuagarlo con agua abundante.
5. Agitar suavemente el electrodo para desprender las gotas de agua que pudiesen quedar adheridas al mismo e introducirlo en la disolución patrón pH=4.0 (color rojo). Agitar suavemente unos segundos y pulsar la tecla "CAL" [6]. Una vez estabilizada la lectura, el regulador saldrá automáticamente del modo de calibración y quedará operativo.

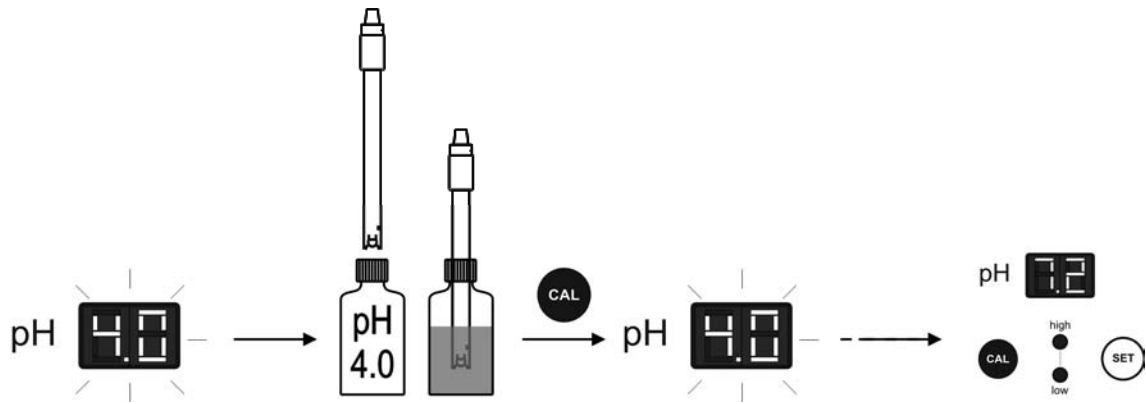





Fig. 28

MENSAJES DE ERROR:

- pH  Si el proceso de calibración se interrumpe por cualquier motivo, el regulador saldrá automáticamente del modo calibración transcurridos unos segundos sin que se detecte la intervención del usuario. En este caso, aparecerá durante unos instantes la indicación "E1" en la pantalla [10].
- pH  Si el valor de pH detectado durante la calibración es muy diferente al esperado (p.e., sonda defectuosa, etc.), la pantalla [10] indicará "E2", no permitiéndose el calibrado del mismo.
- pH  Si la medida de pH es inestable durante el proceso de calibración, aparecerá el código "E3" en la pantalla [10]. Asimismo, no se permitirá la calibración del electrodo.

6.3. Mantenimiento del sensor de pH

1. Verificar que la membrana del electrodo permanezca en todo momento húmeda.
2. Si no va a utilizar el electrodo durante un período largo, consérvelo sumergido en una disolución de conservación a pH=4.0
3. Para limpiar el electrodo de posible suciedad, evitar utilizar materiales abrasivos que puedan arañar la superficie de medida.
4. **El sensor de pH es una parte consumible y necesitará ser reemplazado transcurrido un tiempo de operación.**

7. PROBLEMAS / SOLUCIONES:

Cualquier acción requerida para solucionar posibles problemas en el equipo debe realizarse siempre con éste desconectado de la red eléctrica. Cualquier problema no contemplado en el siguiente listado deberá ser solucionado por un técnico cualificado.

PROBLEMA	SOLUCION
<p>El indicador de producción indica siempre "0" en cualquier nivel de producción seleccionado</p>	<p>Comprobar los electrodos.</p> <p>Comprobar las conexiones entre la fuente de alimentación y la célula de electrolisis.</p> <p>Comprobar la concentración de sal.</p>
<p>La fuente de alimentación no se conecta</p>	<p>Comprobar que el sistema está convenientemente conectado a 230 V/50-60 Hz en el cuadro de maniobra de la piscina.</p> <p>Comprobar el estado del fusible situado en la parte inferior del equipo.</p>
<p>Los niveles de cloro libre en el agua son demasiado bajos</p>	<p>Comprobar que el sistema produce cloro en las boquillas de impulsión.</p> <p>Verificar que los parámetros químicos del agua (pH, cloro combinado, ácido isocianúrico) son correctos.</p> <p>Aumentar el tiempo de filtración.</p> <p>Añadir estabilizante de cloro (ácido cianúrico) hasta alcanzar un nivel de 25 - 30 g/m³.</p>
<p>El controlador de pH indica siempre valores altos, o las lecturas son inestables</p>	<p>El cable de conexión del sensor de pH está dañado. Limpie los contactos o cambie el cable.</p> <p>El sensor de pH tiene una burbuja de aire en la zona de la membrana. Instale el sensor en posición vertical. Agitar suavemente hasta que desaparezca la burbuja.</p> <p>Fallo del sensor de pH. El cable de conexión es demasiado largo o está cerca de fuentes de interferencia electromagnética (motores, etc.). Sustituya el sensor. Instale el equipo lo más cerca posible del sensor.</p>
<p>Imposible calibrar el sensor de pH</p>	<p>La disolución de calibración está caducada o contaminada.</p> <p>La membrana del sensor está bloqueada. Comprobar que la membrana no esté dañada. Limpiar el sensor con ácido diluido en agua, agitando suavemente.</p> <p>Fallo del sensor. Sustituir por uno nuevo.</p>
<p>Respuesta lenta del sensor de pH</p>	<p>Sensor cargado electrostáticamente. Durante la fase de calibración los sensores no deben ser secados con papel o fibras. Limpiar exclusivamente con agua y agitar suavemente.</p> <p>Renovación insuficiente del agua analizada (no hay flujo de agua en el punto de análisis). Comprobar que el extremo del sensor está sumergido en el punto de análisis, y no hay burbujas de aire.</p>

8. CARACTERISTICAS TECNICAS:

ESPECIFICACIONES TECNICAS:

Tensión de servicio estándar

230V AC - 50/60 Hz.

Cable: 3 x 1.0 mm², long. 2 m.

MOD. 7	0.2 A
MOD. 12	0.4 A
MOD. 21	0.4 A
MOD. 30	0.8 A
MOD. 40	0.9 A

Fusible

MOD. 7	1 A T (5x20 mm)
MOD. 12	2 A T (5x20 mm)
MOD. 21	2 A T (5x20 mm)
MOD. 30	3.15 A T (5x20 mm)
MOD. 40	4 A T (5x20 mm)

Tensión de salida

Cable 3 x 2.5 mm², long. 2 m.

MOD. 7	10.5 VDC / 3.5 A
MOD. 12	10.5 VDC / 6.0 A
MOD. 21	23.0 VDC / 3.5 A
MOD. 30	20.0 VDC / 6.0 A
MOD. 40	24.0 VDC / 6.5 A

Producción

MOD. 7	6 - 7 g./h.
MOD. 12	10 - 12 g./h.
MOD. 21	17 - 21 g./h.
MOD. 30	24 - 30 g./h.
MOD. 40	31 - 40 g./h.

Caudal recirculación mínimo

MOD. 7	1 m ³ /h.
MOD. 12	2 m ³ /h.
MOD. 21	3 m ³ /h.
MOD. 30	5 m ³ /h.
MOD. 40	6 m ³ /h.

Número de electrodos

MOD. 7	3
MOD. 12	5
MOD. 21	7
MOD. 30	11
MOD. 40	13

Peso neto (incluido embalaje)

MOD. 7	9 Kg.
MOD. 12	11 Kg.
MOD. 21	13 Kg.
MOD. 30	15 Kg.
MOD. 40	17 Kg.

CARACTERISTICAS GENERALES:

Sistema de control

- Microprocesador.
- Teclado de membrana con pulsadores de control y leds indicadores de funcionamiento.
- E/S de control: 2 entradas tipo contacto libre de tensión para estado de cubierta automática y controlador de ORP / cloro residual.
- Salida a célula: control de producción (5 niveles discretos).
- Rango Salinidad / Temperatura: 3 - 12 g/l. / +15 - 40°C
- Controlador de pH integrado (sólo en modelos MOD. XX-PH).

Auto-limpieza

Automática, por inversión de polaridad

Temperatura de trabajo

De 0°C a +50°C

Refrigeración por convección natural

Material

- Fuente de alimentación
 - ABS
- Célula de electrolisis y porta-sondas
 - Metacrilato transparente

Sensor pH (modelos XX- PH)

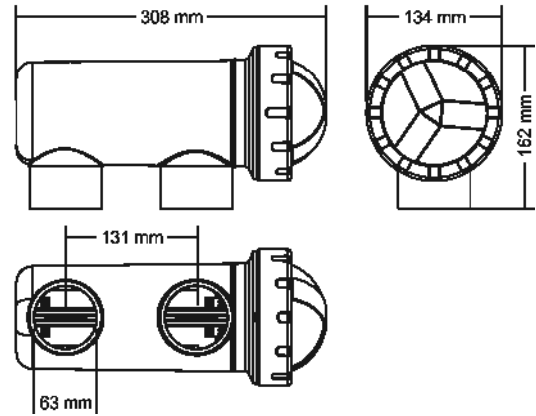
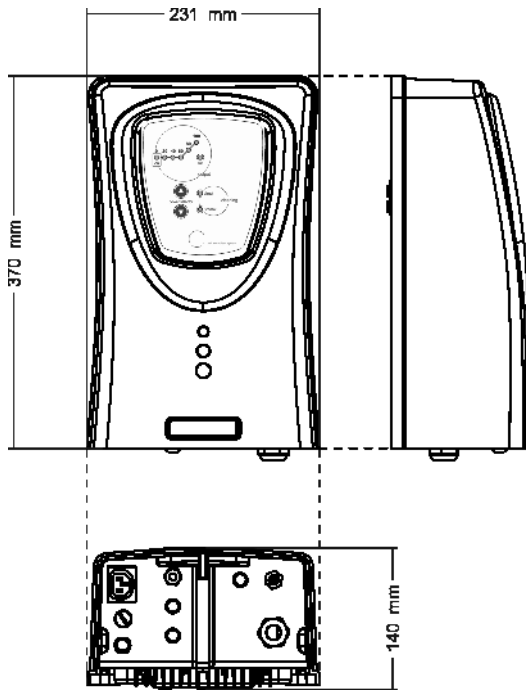
Cuerpo: plástico (color azul)

Rango 0 -12 pH

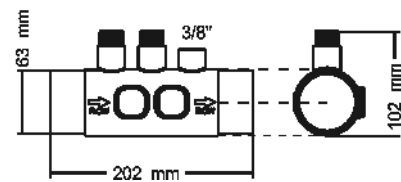
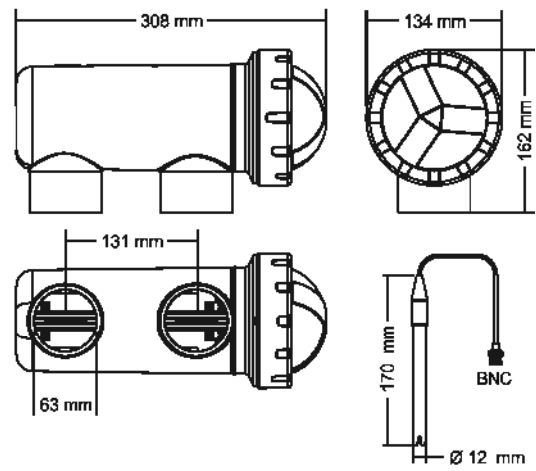
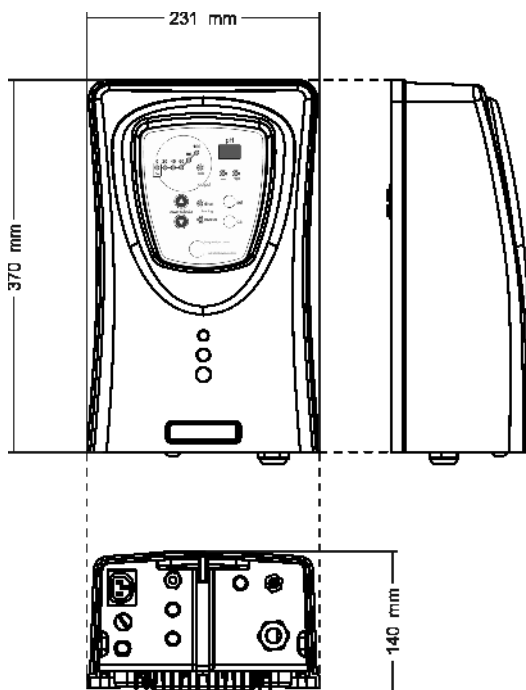
Electrolito sólido

Dimensiones

MOD. XX



MOD. XX-PH



9. CONDICIONES DE GARANTIA: _____

9.1. ASPECTOS GENERALES

- 9.1.1. De acuerdo con estas disposiciones, el vendedor garantiza que el producto correspondiente a esta garantía no presenta ninguna falta de conformidad en el momento de su entrega.
- 9.1.2. El Periodo de Garantía Total es de 2 AÑOS.
- 9.1.3. El periodo de Garantía se calculará desde el momento de su entrega al comprador. El electrodo está cubierto por una garantía de 2 AÑOS (ó 3.000 horas), sin extensiones. Los sensores de pH están cubiertos por una garantía de 6 MESES sin extensiones.
- 9.1.4. Si se produjera una falta de conformidad del Producto y el comprador lo notificase al vendedor durante el Periodo de Garantía, el vendedor deberá reparar o sustituir el Producto a su propio coste en el lugar donde considere oportuno, salvo que ello sea imposible o desproporcionado.
- 9.1.5. Cuando no se pueda reparar o sustituir el Producto, el comprador podrá solicitar una reducción proporcional del precio o, si la falta de conformidad es suficientemente importante, la resolución del contrato de venta.
- 9.1.6. Las partes sustituidas o reparadas en virtud de esta garantía no ampliarán el plazo de la garantía del Producto original, si bien dispondrán de su propia garantía.
- 9.1.7. Para la efectividad de la presente garantía, el comprador deberá acreditar la fecha de adquisición y entrega del Producto.
- 9.1.8. Cuando hayan transcurrido más de seis meses desde la entrega del Producto al comprador y éste alegue falta de conformidad de aquél, el comprador deberá acreditar el origen y la existencia del defecto alegado.
- 9.1.9. El presente Certificado de Garantía no limita o prejuzga los derechos que correspondan a los consumidores en virtud de normas nacionales de carácter imperativo.

9.2. CONDICIONES PARTICULARES

- 9.2.1. Para la eficacia de esta garantía, el comprador deberá seguir estrictamente las indicaciones del Fabricante incluidas en la documentación que acompaña al Producto, cuando ésta resulte aplicable según la gama y modelo del Producto.
- 9.2.2. Cuando se especifique un calendario para la sustitución, mantenimiento o limpieza de ciertas piezas o componentes del Producto, la garantía sólo será válida cuando se haya seguido dicho calendario correctamente.

9.3. LIMITACIONES

- 9.3.1. La presente garantía únicamente será de aplicación en aquellas ventas realizadas a consumidores, entendiéndose por "consumidor", aquella persona que adquiere el Producto con fines que no entran en el ámbito de su actividad profesional.
- 9.3.2. No se otorga ninguna garantía respecto del normal desgaste por uso del producto, ni tampoco respecto a las piezas, componentes y/o materiales fungibles o consumibles (a excepción del electrodo).
- 9.3.3. La garantía no cubre aquellos casos en que el Producto: (i) haya sido objeto de un trato incorrecto; (ii) haya sido inspeccionado, reparado, mantenido o manipulado por persona no autorizada; (iii) haya sido reparado o mantenido con piezas no originales o (iv) haya sido instalado o puesto en marcha de manera incorrecta.
- 9.3.4. Cuando la falta de conformidad del Producto sea consecuencia de una incorrecta instalación o puesta en marcha, la presente garantía sólo responderá cuando dicha instalación o puesta en marcha esté incluida en el contrato de compra-venta del Producto y haya sido realizada por el vendedor o bajo su responsabilidad.
- 9.3.5. Daños o fallos del producto debido a cualquiera de las siguientes causas:
 - Programación del sistema y/o calibración inadecuada de los sensores de pH/ORP por parte del usuario.
 - Funcionamiento a salinidades inferiores a 3 g./l. de cloruro sódico y/o temperaturas inferiores a 15°C o superiores a 40°C.
 - Funcionamiento a pH superior a 7,6.
 - Empleo de productos químicos no autorizados de forma explícita.
 - Exposición a ambientes corrosivos y/o temperaturas inferiores a 0°C o superiores a 50°C.

IMPORTANTE: Il manuale d'istruzioni in suo possesso contiene informazioni fondamentali sulle misure di sicurezza da adottare per l'installazione e la messa in servizio. Per ciò è imprescindibile che sia l'installatore che l'utente leggano le istruzioni prima di iniziare il montaggio e la messa in servizio.
Conservi questo manuale per poterlo consultare in futuro in merito al funzionamento di questo apparecchio.



Eliminazione di rifiuti di apparecchiature domestiche elettriche ed elettroniche nell'Unione Europea

Tutti i prodotti marchiati con questo simbolo non si possono eliminare insieme ai rifiuti domestici una volta ultimato l'utilizzo. E' responsabilità dell'utilizzatore eliminare questo tipo di rifiuti in un punto di raccolta per lo smaltimento selettivo di rifiuti elettrici ed elettronici. Il trattamento ed il riciclo corretti di questi rifiuti contribuiscono in forma essenziale alla conservazione dell'ambiente e alla salute delle persone. Per ottenere un'informazione più precisa sui punti di raccolta contatti l'amministrazione locale.

Le istruzioni contenute in questo manuale descrivono il funzionamento e la manutenzione dei Sistemi per l'Elettrolisi del Sale MOD. XX e MOD. XX-PH. Per ottenere il massimo rendimento dei Sistemi per l'Elettrolisi del Sale è opportuno rispettare le istruzioni di seguito riportate:

1. VERIFICARE IL CONTENUTO DELL'IMBALLAGGIO: _____

All'interno dell'imballaggio troverà i seguenti accessori:

- Alimentatore.
- Cellula elettrolitica.
- Sensore pH (solamente in modelli MOD. XX-PH).
- Porta-sonde (opzionale in modelli MOD. XX-PH).
- Soluzioni di calibrazione pH 7.0 (verde) / pH 4.0 (rosso) (solamente in modelli MOD. XX-PH).
- Connettore CEE22 M per pompa dosatrice (solamente in modelli MOD. XX-PH).
- Manuale d'istruzioni.

2. CARATTERISTICHE GENERALI: _____

Una volta installato il Sistema per l'Elettrolisi del Sale è necessario dissolvere una quantità di sale nell'acqua. Quest'acqua salina circola attraverso la cellula elettrolitica. Il Sistema per l'Elettrolisi del Sale è composto da due elementi: una cellula elettrolitica ed un alimentatore. La cellula elettrolitica contiene un numero determinato di placche di titanio (elettrodi), in modo che quando si fa circolare all'interno una corrente elettrica e la soluzione salina, si forma cloro libero.

Il mantenimento d'un certo livello di cloro nell'acqua della piscina, garantirà la sua qualità sanitaria. Un Sistema per l'Elettrolisi del Sale produce cloro quando il sistema di ricircolo della piscina (pompa e filtro) sono operativi.

L'Alimentatore dispone, oltre ad un microregolatore, di vari dispositivi di sicurezza che si attivano in caso d'un funzionamento anomalo del sistema.

Il Sistema per l'Elettrolisi del Sale dispongono d'un sistema di pulizia automatica degli elettrodi che evita la formazione di incrostazioni negli stessi. Inoltre i Sistemi per l'Elettrolisi del Sale MOD. XX-PH includono un dispositivo di controllo automatico di pH.

3. AVVERTENZE DI SICUREZZA E RACCOMANDAZIONI: _____

- Il montaggio o la manutenzione devono essere effettuati da personale qualificato.
- Devono essere rispettate le norme di legge vigenti elettriche e per la prevenzione di incidenti.
- Il fabbricante non è responsabile in nessun caso del montaggio, installazione o messa in marcia non realizzate in conformità al presente manuale né di qualunque altra manipolazione o montaggio di componenti che non siano installati in fabbrica.
- I Sistemi per l'Elettrolisi del Sale funzionano a 230 VAC, 50/60 Hz. Non cercare di alterare il sistema per farlo funzionare con un altro voltaggio.
- Assicurarsi di realizzare connessioni stabili onde evitare falsi contatti, con il conseguente surriscaldamento delle stesse.
- Prima di procedere all'impianto o alla sostituzione d'un componente, staccare l'apparecchio dalla rete elettrica, ed utilizzare esclusivamente pezzi di ricambio forniti dal fabbricante.
- Poiché il sistema genera calore, è importante installarlo in un luogo ben ventilato e cercare di mantenere gli spazi per la ventilazione liberi da qualsiasi elemento che li possa ostruire. Cercare di non installarlo vicino a materiali infiammabili.
- I Sistemi per l'Elettrolisi del Sale dispongono d'un grado di protezione IP24. In nessun caso devono essere installati in zone esposte a rischio d'inondazione.

ALIMENTATORE:

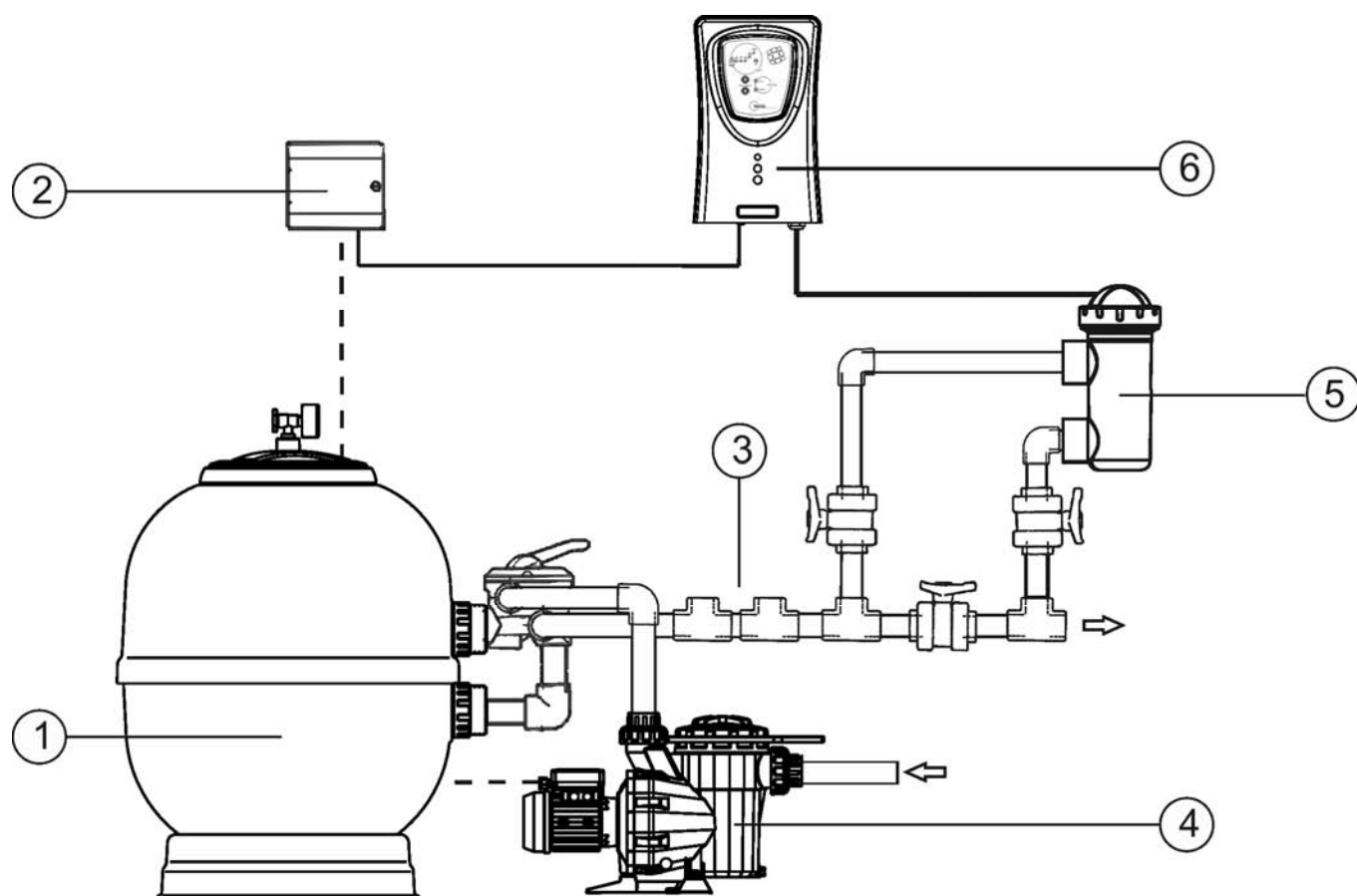
DESCRIZIONE	MODELLO				
	MOD.7 MOD.7 PH	MOD.12 MOD.12 PH	MOD.21 MOD.21 PH	MOD.30 MOD.30 PH	MOD.40 MOD.40 PH
Tensione di alimentazione	230 V AC, 50 Hz./60 Hz.				
Uscita (dc)	3.5 A x 2	6 A x 2	3.5 A x 6	6 A x 5	6.5 A x 6
Produzione (g/h)	6 - 7	10 - 12	17 - 21	24 - 30	31 - 40
Volume piscina (m ³) Temperato: 16 - 24°C Caldo: +25°C	40 25	60 50	100 80	160 120	200 160
Rivelatore di flusso	Rivelatore di gas				
Rango di salinità / Temperatura	3 - 12 g./l. / +15 - 40°C				
Elettrodi	Titanio con rivestimento AUTO-PULENTE Tempo di vita previsto: 8.000 - 10.000 ore (secondo la qualità di l'acqua) ⁽²⁾				
Controllo di produzione	0 - 100 % (5 livelli di produzione)				
Inversione di polarità	Programabile 2 ⁽¹⁾ / 3 ore (jumper in carta di controllo) + modo test				
Protezione del livello di sale	Protezione automatica di produzione				

⁽¹⁾ Predefinite in fabbrica⁽²⁾ In condizioni ideali: salinità (6 g/l), pH (7,2), durezza dell'acqua (120 mg/l) e flusso minimo.**CELLULA ELETTROLITICA**

DESCRIZIONE	MODELLO				
	MOD.7 MOD.7 PH	MOD.12 MOD.12 PH	MOD.21 MOD.21 PH	MOD.30 MOD.30 PH	MOD.40 MOD.40 PH
Flusso minimo d'acqua	1 m ³ /h	2 m ³ /h	3 m ³ /h	5 m ³ /h	6 m ³ /h
Numero di elettrodi	3	5	7	11	13
Materiale	Derivato metacrilato				
Connessione	Con adesivo per tubo PVC Ø 63 mm.				
Pressione max. raccomandata	1 Kg./cm ²				
Temperatura d'operazione	Meno di 40°C				

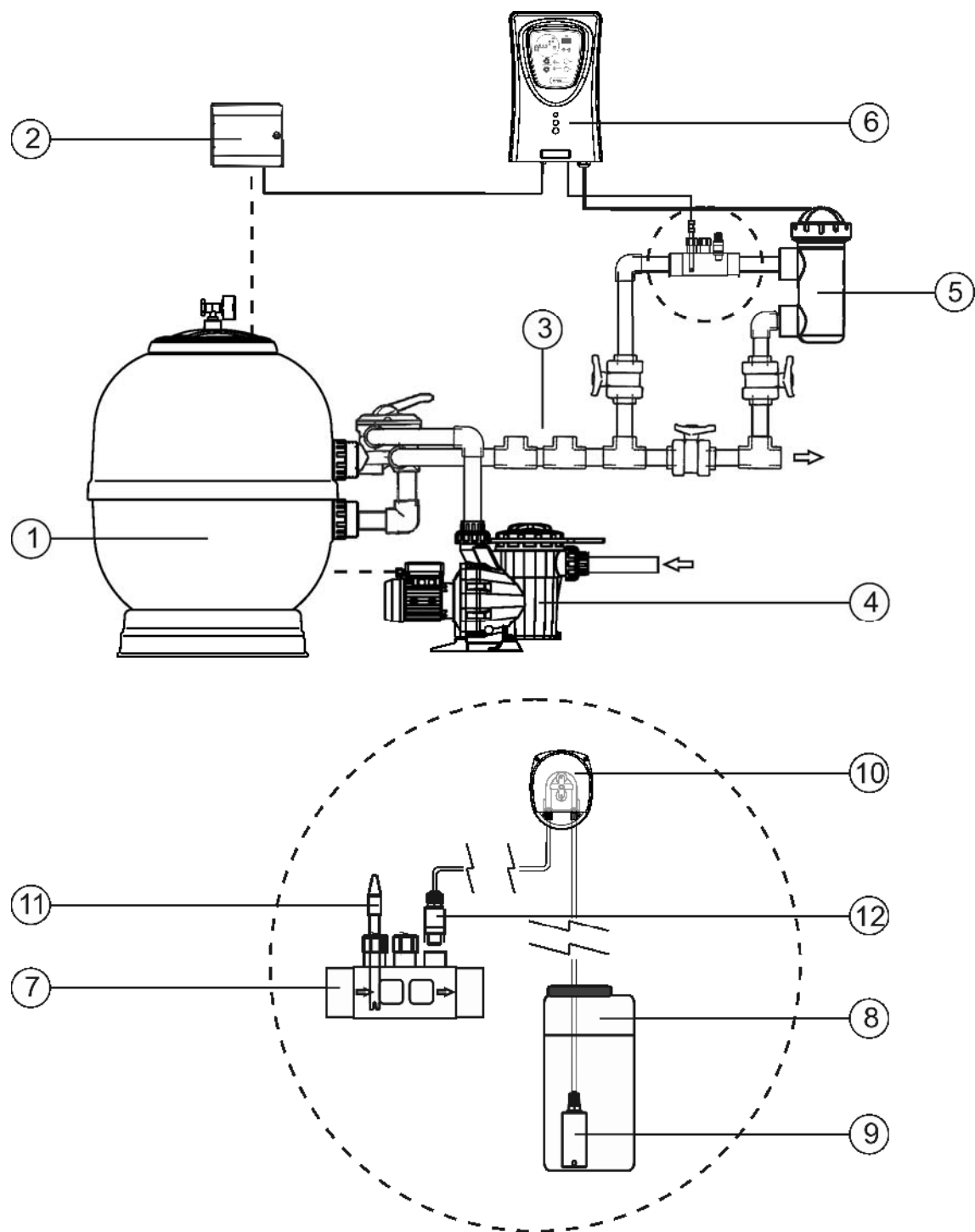
CONTROLLO DI PH (solamente in modelli MOD. XX-PH)

DESCRIZIONE	MODELLO				
	MOD.7 PH	MOD.12 PH	MOD.21 PH	MOD.30 PH	MOD.40 PH
Rango di misura	0.0 - 9.9 (pH)				
Rango di controllo	7.0 - 7.8 (pH)				
Precisione	± 0.1 pH				
Calibrazione	Automatica con soluzioni di calibrazione				
Uscita di controllo [pH]	Un'uscita 230 VAC / 500 mA per connessione della pompa dosatrice				
Sensori pH	Corpo epoxy, 12x150 mm., unione semplice, 0-80°C colore BLU, rango 0 - 12 (pH)				



- 1.- Filtro.
- 2.- Pannello di controllo.
- 3.- Altri attrezzature (Scambiatore di calore, UV, etc.).
- 4.- Pompa.
- 5.- Cellula di elettrolisi.
- 6.- Alimentatore.

Fig.1 Schema di installazione raccomandata (modelli MOD. XX).



- | | |
|--|------------------------------|
| 1.- Filtro. | 7.- Porta-sonde (opzionale). |
| 2.- Pannello di controllo. | 8.- Serbatoio pH-minus. |
| 3.- Altri attrezzature
(Scambiatore di calore, UV, etc.). | 9.- Filtro di aspirazione. |
| 4.- Pompa. | 10.- Pompa di dosaggio. |
| 5.- Cellula di elettrolisi. | 11.- Sensore pH. |
| 6.- Alimentatore. | 12.- Valvola di iniezione. |

Fig.2 Schema di installazione raccomandata (modelli MOD. XX-PH).

4. INSTALLAZIONE:

4.1. Installazione dell'Alimentatore

Installare sempre l'ALIMENTATORE del sistema per l'elettrolisi del sale in modo VERTICALE e su una superficie (parete) rigida così come si mostra nello schema di installazione raccomandata (Figs. 1,2). Per garantire il buono stato di conservazione si deve installare il sistema in un luogo asciutto e ben ventilato. Il grado di tenuta dell'ALIMENTATORE del sistema per l'elettrolisi del sale non permette la sua esposizione alle intemperie. L'ALIMENTATORE dovrebbe essere installato sufficientemente lontano dalla cellula elettrolitica in modo che non possa ricevere accidentalmente spruzzi d'acqua.

Evitare assolutamente la formazione di ambienti corrosivi dovuti alle soluzioni che abbassano il pH (in particolare quelle che contengono acido cloridrico "HCl"). Non installare il sistema per l'elettrolisi del sale vicino ai luoghi di stoccaggio di questi prodotti. Raccomandiamo vivamente l'uso di prodotti a base di bisolfato sodico o acido solforico diluito. La connessione dell'alimentatore alla rete elettrica deve essere effettuata nel quadro di manovra del depuratore, in modo che la pompa ed il sistema per l'elettrolisi del sale si accendano simultaneamente.

4.2. Installazione della cellula d'elettrolisi

La cellula elettrolitica è fabbricata in polimero trasparente dentro il quale si trovano gli elettrodi. La cellula elettrolitica dovrebbe essere installata in un luogo protetto dall'intemperie, sempre in mandata ed a valle di qualsiasi altro dispositivo dell'impianto come pompe di calore, sistemi di controllo, ecc.

L'installazione dovrebbe essere effettuata in modo tale da permettere il facile accesso dell'utente agli elettrodi installati. La cellula elettrolitica deve essere posizionata sempre ad un'altezza tale della tubazione che possa essere isolata dal resto dell'impianto mediante due valvole, allo scopo di poter realizzare le operazioni di manutenzione della stessa senza dover svuotare totalmente o parzialmente la piscina.

Nel caso in cui la cellula sia installata in by-pass (opzione raccomandata), si dovrà inserire una valvola che ne regoli il flusso all'interno. Prima di procedere all'installazione definitiva del sistema, tenere conto delle seguenti raccomandazioni:

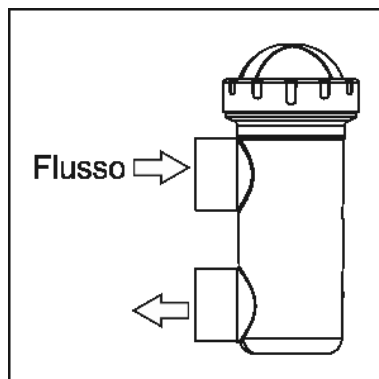


Fig. 3

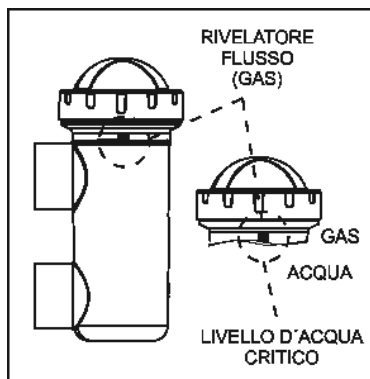


Fig. 4

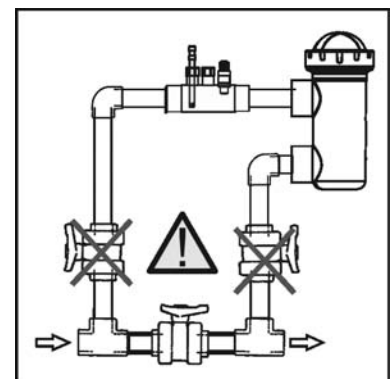


Fig. 5

1. Rispettare il senso di flusso indicato nella cellula. Il sistema di ricircolo deve garantire il flusso minimo indicato nella precedente Tabella di SPECIFICHE TECNICHE per ogni modello (vedere Sezione 9).

2. Il sistema rivelatore di flusso si attiva in caso di assenza o scarsità di ricircolo (flusso) d'acqua attraverso la cellula. La non evacuazione del gas di elettrolisi produce una sacca che isola elettricamente l'elettrodo ausiliario (rilevamento elettronico). Pertanto, inserendo gli elettrodi nella cellula, la sonda di livello (elettrodo ausiliario) dovrà rimanere situata nella parte superiore della stessa. La disposizione più sicura è quella dello schema di installazione raccomandata. Per evitare un'eccessiva vibrazione degli elettrodi, questi dovrebbero essere collocati all'interno della cellula parallelamente al flusso d'acqua.

3. **ATTENZIONE:** il rivelatore di flusso non funzionerà correttamente, con il conseguente rischio di rottura della cellula, se si chiudono simultaneamente le valvole di entrata ed uscita alla tubazione dove deve essere installata la cellula elettrolitica. Nonostante sia una situazione inusuale, **può essere evitata bloccando, una volta installato l'impianto, la valvola di ritorno verso la piscina**, in modo che non possa essere manipolata accidentalmente.

Altri schemi di installazione possono risultare accettabili solo se permettono l'individuazione di flusso debole o nullo.

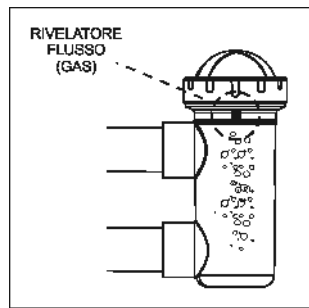


Fig. 6
Installazione RACCOMANDATA

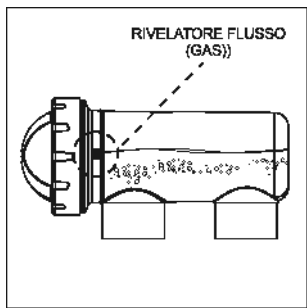


Fig. 7
Instalación PERMSESSA

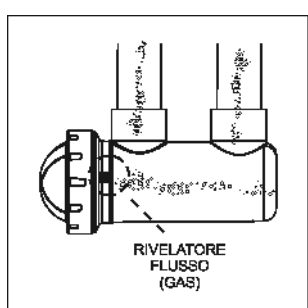


Fig. 8
Installazioni NON PERMESSE

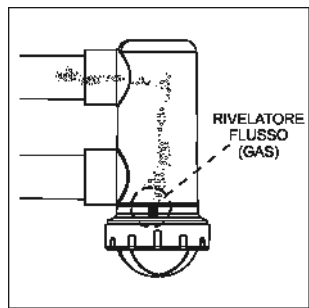


Fig. 9

Gli elettrodi dovranno essere inseriti all'interno della cellula d'elettrolisi, facendo in modo che l'elettrodo centrale del gruppo si incastri nelle guide situate nei quadranti del corpo della cellula.

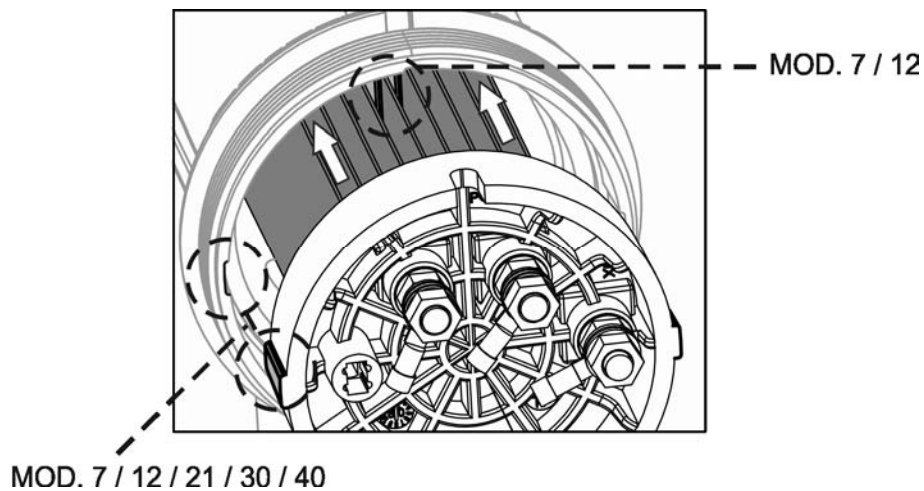


Fig 10

4.3. Collegamenti elettrici della cellula d' elettrolisi

A causa dell'intensità di corrente relativamente elevata che circola per i cavi di alimentazione della cellula elettrolitica, non si deve assolutamente modificare la lunghezza né il diametro degli stessi senza consultare previamente il suo distributore autorizzato. Il cavo di connessione cellula-alimentatore non deve mai superare la lunghezza massima specificata in questo Manuale: MOD.7 (3.5 A), 15 m.; MOD.12 (6 A), 8 m.; MOD.21 (3.5 A), 30 m.; MOD.30 (6 A), 20 m; MOD.40 (6 A), 20 m.

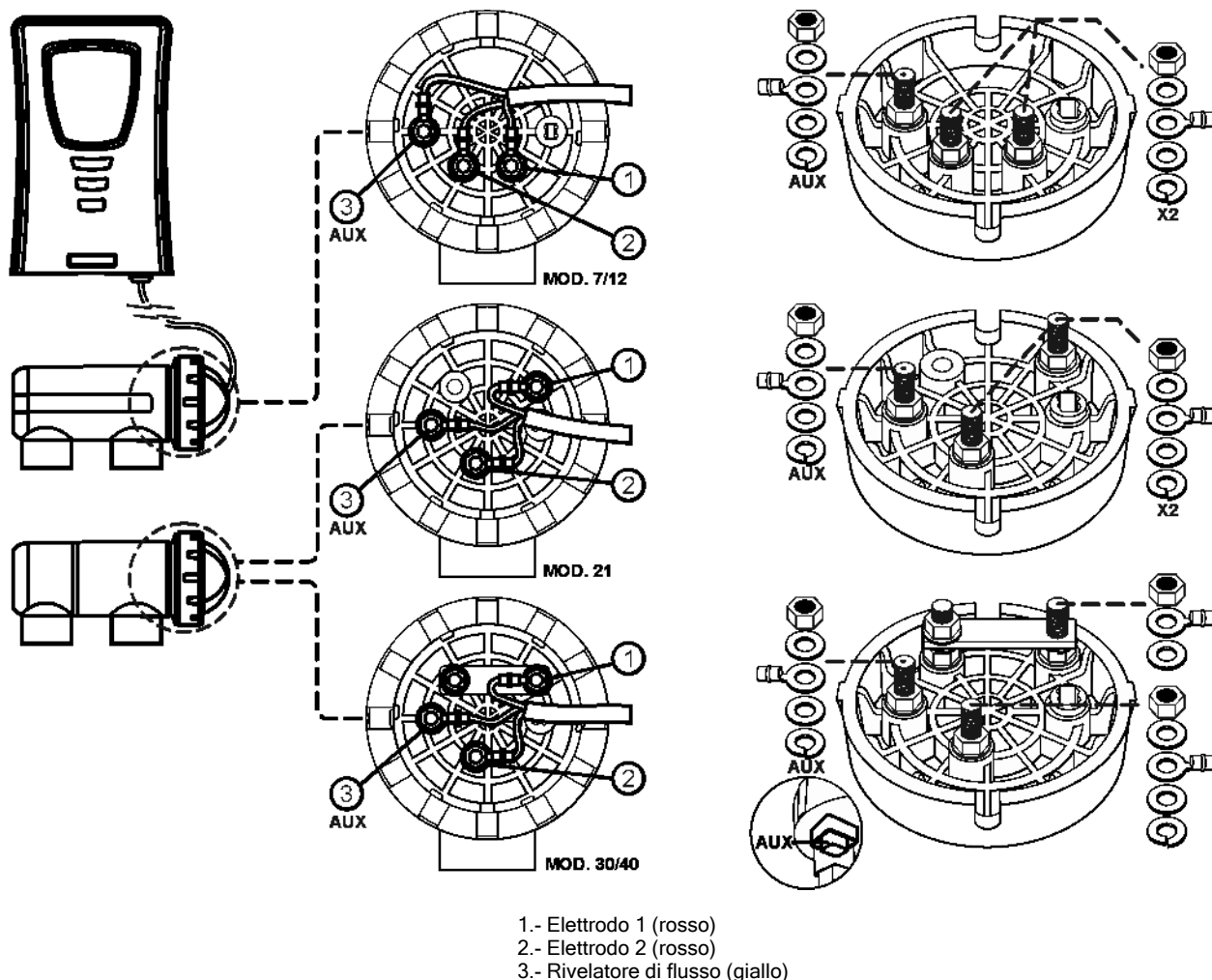


Fig.11

4.4. Installazione della sonda di pH (solamente in modelli MOD. XX-PH)

1. Inserire la sonda di pH fornita con il sistema negli appositi alloggi del porta-sonde. (Fig. 12).
2. A tale scopo, allentare il dado del raccordo ed inserirvi la sonda.
3. I sensori devono essere inseriti nel raccordo in modo da garantire che il sensore collocato nel suo estremo rimanga sempre immerso nell'acqua che circola nella tubazione.
4. **Installare sempre la sonda di pH in posizione verticale o con un'inclinazione massima di 40° (Fig. 13).**

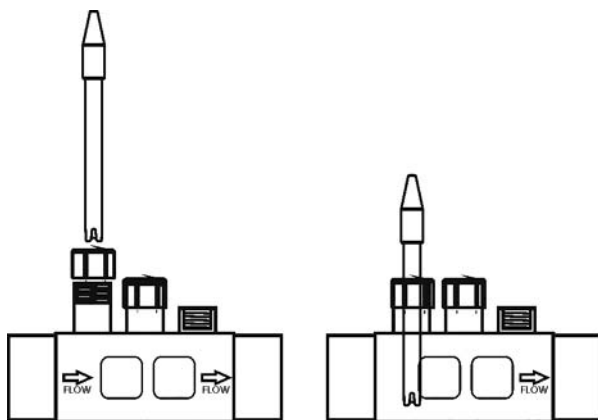


Fig. 12

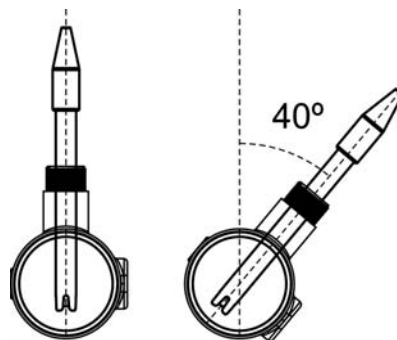


Fig. 13

4.5. Controlli ed indicatori

I sistemi per l'Elettrolisi del Sale sono dotati d'un pannello di controllo situato sulla parte frontale I (Figs. 14,15).

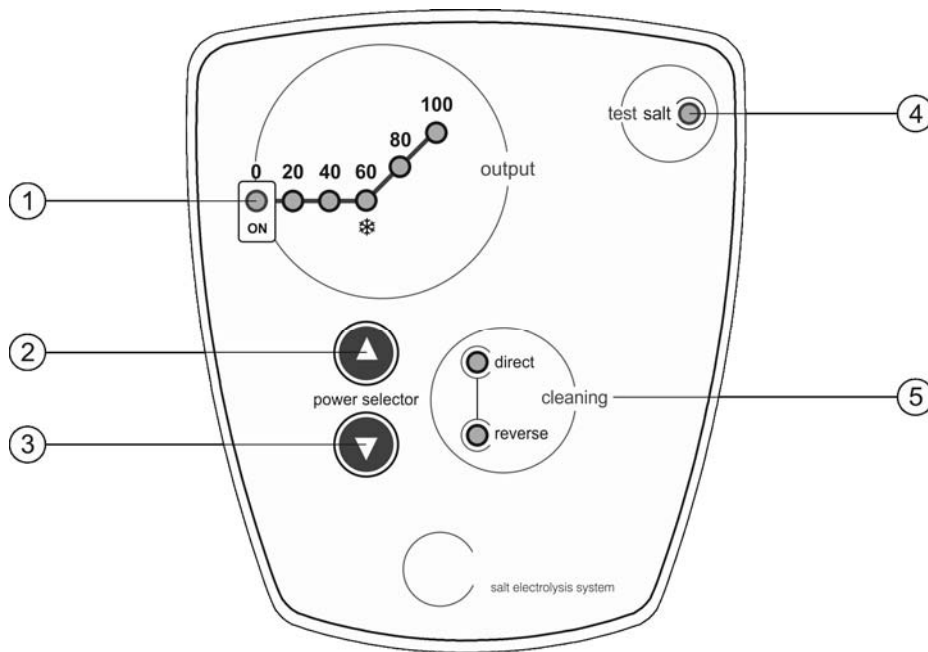


Fig. 14. Pannello di controllo dei modelli MOD. XX

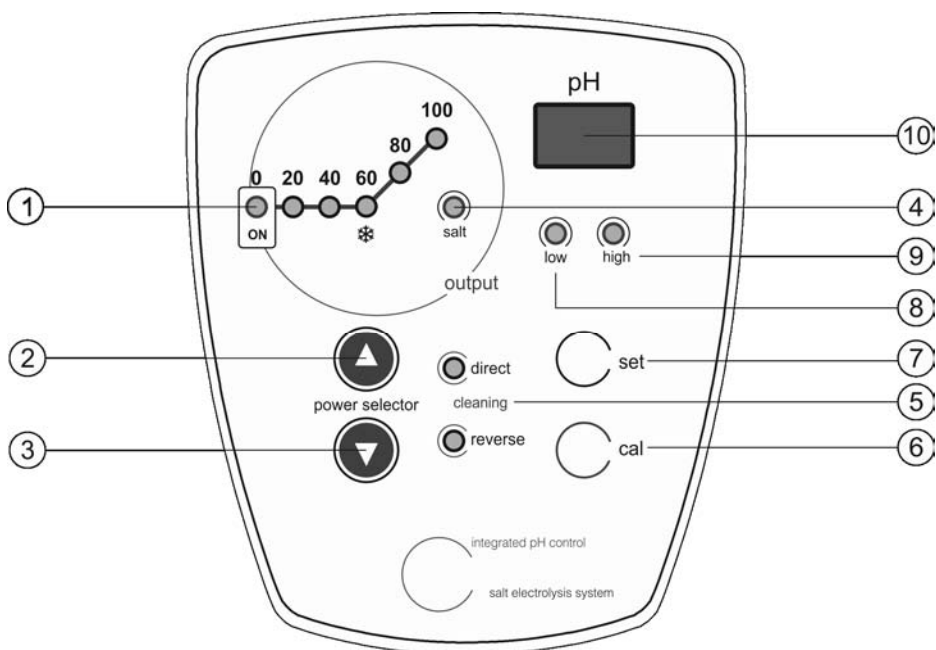


Fig. 15. Pannello di controllo dei modelli MOD. XX-PH.

- | | |
|---|--|
| 1. Scala produzione (%) | 6. Tasto per MODO CALIBRAZIONE pH. |
| 2. Tasto "▲" (aumentare produzione) | 7. Tasto programmazione /visualizzazione del pH |
| 3. Tasto "▼"(diminuire produzione) | 8. Indicatore d'ALLARME di PH BASSO (< 6.5) |
| 4. ALLARME di SALINITÀ (alta/bassa) | 9. Indicatore d'ALLARME di PH ALTO (> 8.5) |
| 5. Indicatore AUTO-PULIZIA (polarità DIRECTA/INVERSA) | 10. Schermo d'indicazione (pH dell'acqua / setpoint pH). |
| | 11. (pH dell'acqua / setpoint pH). |

4.6. Programmazione e controllo

Oltre alle operazioni base, il Sistema di Elettrolisi al Sale dispone di una entrata per il controllo esterno mediante un controllo ORP, cloro residuo, ecc., oltre ad una entrata per la regolazione della produzione del sistema all'attivazione della copertura automatica della piscina. Consente inoltre la configurazione di tre tipi di AUTOPULIZIA degli elettrodi: TEST, 2/2, 3/3 ore.

- **Sistema di AUTOPULIZIA DEGLI ELETTRODI:** gli indicatori [5] mostrano lo stato di polarizzazione degli elettrodi (diretta/inversa). La frequenza d'inversione può essere selezionata mediante il jumper "JP1" situato nella scheda di controllo del sistema (Fig. 16). Questa configurazione diventerà effettiva quando il sistema si stacchi e torni a collegare.
- **Controllo COPERTURA AUTOMATICA:** il sistema dispone di una entrata per contatto libero da tensione. Quando si chiude il contatto collegato a questa entrata (copertura automatica CHIUSA), il sistema d'elettrolisi riduce la produzione al **10%** del valore nominale (l'indicatore "20%" della scala di produzione rimarrà illuminato).
- **Controllo ESTERNO:** il sistema dispone di una entrata ausiliare aggiuntiva per contatto libero da tensione. Questa entrata può essere utilizzata per far interagire il sistema di elettrolisi con un controllo esterno (ORP, CLORO RESIDUO, FOTOMETRO, ecc.). Quando il contatto collegato a questa entrata è APERTO, il sistema d'elettrolisi si blocca. Per attivare l'entrata è necessario inserire il jumper "JP2", situato nella scheda di controllo dell'unità. Questa configurazione diventerà effettiva quando il sistema si stacchi e torni a collegare.

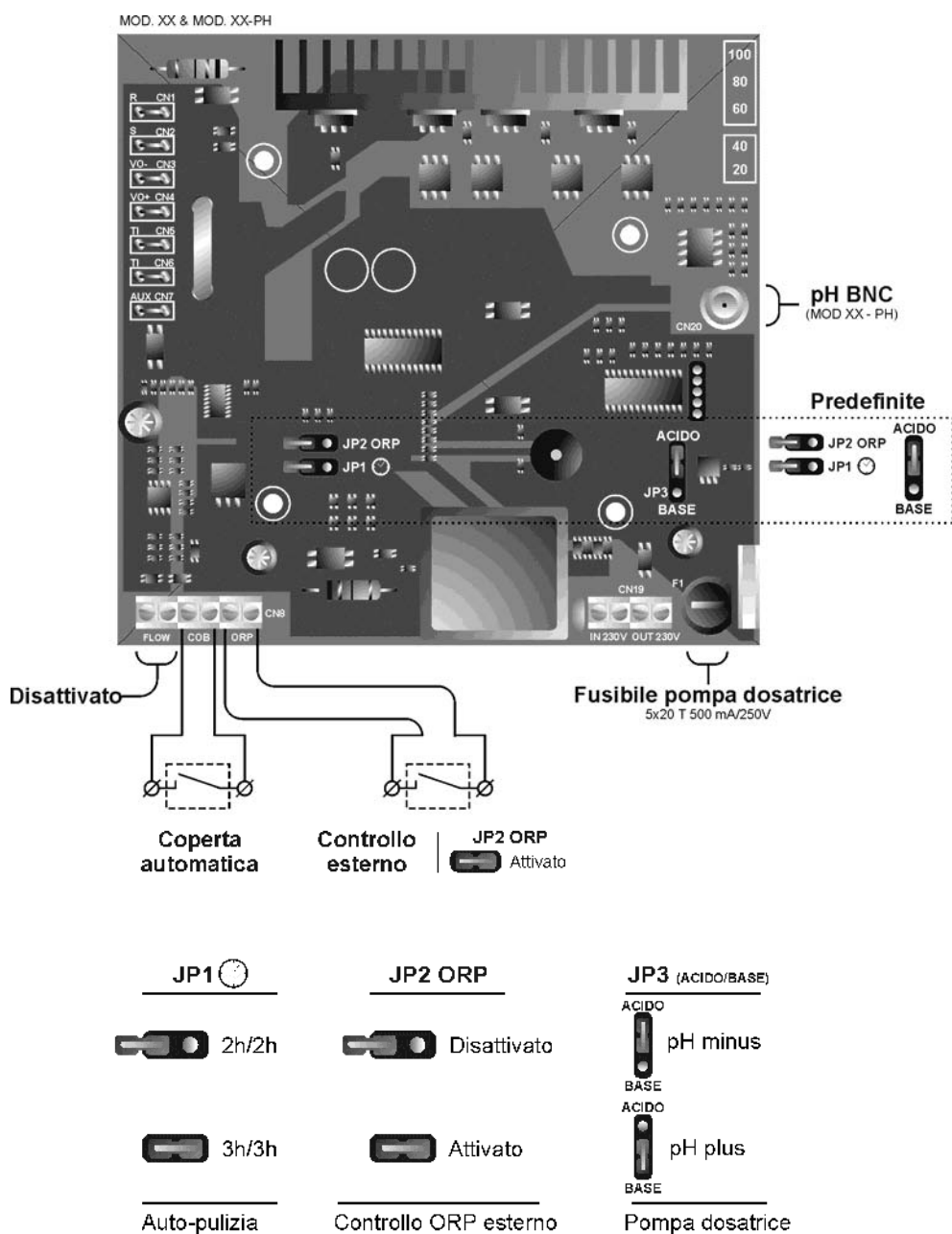


Fig. 16

4.7. Smontaggio del coperchio

1. Togliere l'abbellitore (A) situato nel frontale del coperchio.
2. Svitare la vite di fissazione (B).
3. Togliere il coperchio scivolando verso l'alto e verso fuori.

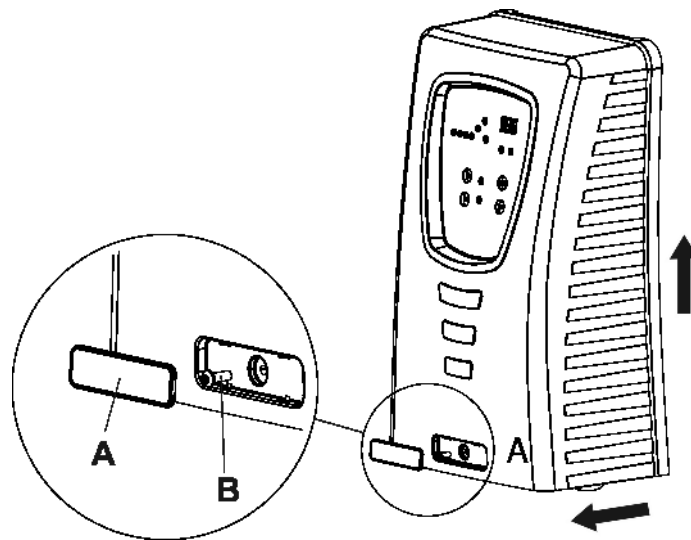


Fig. 17

4.8. Avviamento

1. Assicurarsi che il filtro sia perfettamente pulito, e che la piscina e l'impianto non contengano rame, ferro ed alghe, nonché che tutti gli impianti di riscaldamento installati siano compatibili con la presenza di sale nell'acqua.
2. Equilibrare l'acqua della piscina. Questo ci permetterà di ottenere un trattamento più efficace con una minore concentrazione di cloro libero nell'acqua, nonché una vita utile più lunga degli sensori insieme ad una minore formazione di depositi calcarei nella piscina.
 - a) Il pH deve essere di 7.2-7.6
 - b) L'alcalinità totale deve essere di 60-120 ppm.
3. Nonostante il sistema per l'elettrolisi del sale possa lavorare con un valore di salinità di 3 - 12 g/l, è preferibile cercare di mantenere il livello minimo di sale raccomandato di 5 g/l aggiungendo 5 kg per ogni m³ d'acqua, sempreché l'acqua non contenga già sale per propria natura. Non aggiungere il sale attraverso la cellula. Aggiungere direttamente nella piscina o nel serbatoio di compensazione (lontano dal canale di sfioro della piscina).
4. Quando si aggiunge il sale, e nel caso in cui la piscina sia utilizzata immediatamente, realizzare un trattamento con cloro. Come dose iniziale, si possono aggiungere 2 g/m³ di acido tricloroisocianurico.
5. Prima di iniziare il ciclo di lavoro, spegnere l'alimentatore ed accendere la pompa del depuratore per 24 ore, allo scopo di assicurare la completa dissoluzione del sale.
6. Dopo di che avviare il sistema per l'elettrolisi del sale, impostando il livello di produzione dello stesso, in modo che si mantenga il livello di cloro libero dentro i livelli raccomandati (0.5 - 1.5 ppm).

NOTE: per potere stabilire il livello di cloro libero si dovrà usare un kit di analisi.

7. In piscine molto assolate o fortemente utilizzate, è consigliabile mantenere un livello di 25-30 g/m³ di stabilizzante (acido isocianurico). In nessun caso, si dovrà superare il livello di 75 g/m³. Questo sarà di grande aiuto per evitare la distruzione del cloro libero presente nell'acqua dovuta all'azione della luce solare.

5. OPERAZIONE:



5.1. **Sistema bloccato**

Il sistema entra nella modalità "IN ATTESA" premendo il tasto "▼" [3] fino a che l'indicatore "0 %" comincia a lampeggiare continuamente. In questa situazione non vi è produzione nella cellula d'elettrolisi.

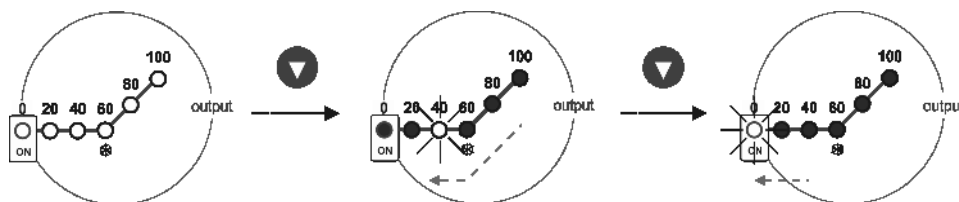


Fig. 18

5.2. **Selezione del livello di produzione**

Per selezionare il livello di produzione desiderato, premere di seguito i tasti "▼" [3] / "▲" [2] fino a quando l'indicatore corrispondente al livello di produzione desiderato che lampeggerà costantemente. Trascorsi alcuni secondi, il sistema imposterà la produzione sul livello selezionato.

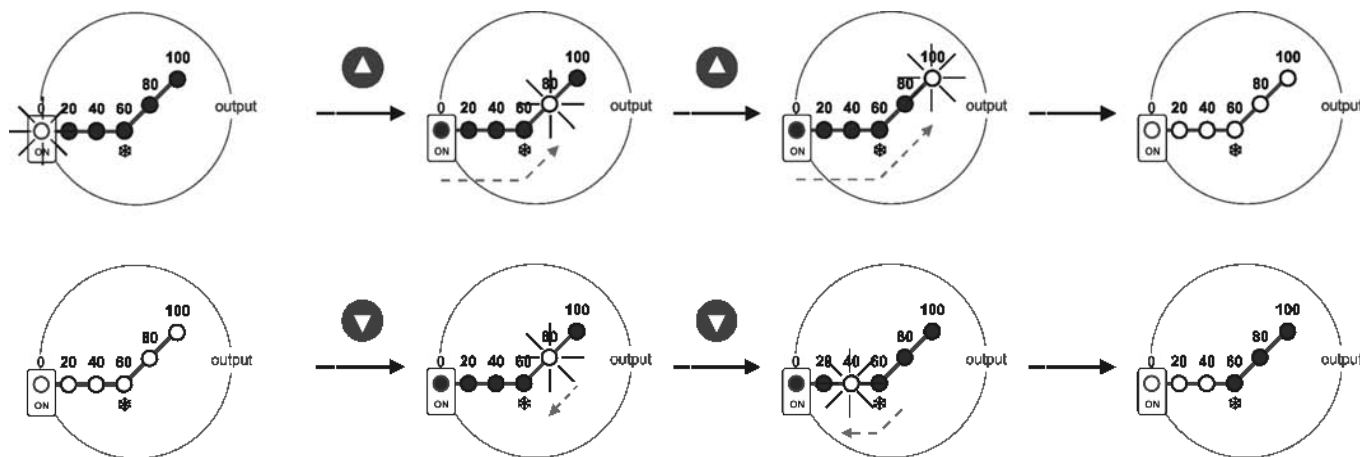


Fig. 19

Il valore di produzione programmato si potrà vedere in qualsiasi momento premendo una volta il tasto "▼" [3] o il tasto "▼" [2].

❄️ Modo INVERNO: durante i periodi di bassa temperatura dell'acqua, dove la richiesta di cloro sarà bassa, selezionare un livello di produzione [1] di 60%, perché in questo modo il consumo di energia e la durata degli elettrodi è ottimizzato.

5.3. **Modo TEST**

Per accedere al MODO TEST, ridurre il livello di produzione a "0 %" premendo ripetutamente il tasto "▼" [1] (Fig. 20).

Una volta bloccato il sistema, mantenere premuto lo stesso tasto per 10 secondi. Il sistema indicherà l'avvio del MODO TEST con l'accensione simultanea di tutti gli indicatori per un secondo. Quando il sistema si trova in MODO TEST, i indicatori di polarità "cleaning" [5], lampeggiano.

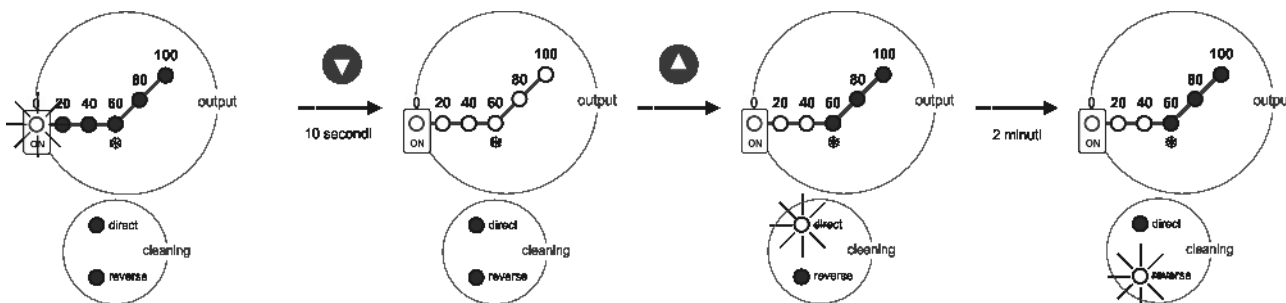


Fig. 20

Quando il sistema entra in MODO TEST vengono azzerati il temporizzatore di cambio di polarità ed il livello di produzione selezionato. In questo modo il sistema è completamente operativo ed esegue le inversioni di polarità degli elettrodi **ogni 2 minuti**. Per uscire dal MODO TEST, il sistema deve essere spento dalla rete a 230 Vac per alcuni secondi. Accensione il sistema nuovamente, torna automaticamente al programma di autopulizia precedente.

5.4. Controllatore di pH integrato (modelli MOD. XX-PH)

Il regolatore di pH integrato esce dalla fabbrica calibrato e con i seguenti parametri di programmazione.

Valore programmato **pH="7.2"**

IMPORTANTE: per ottenere una corretta regolazione del pH, assicurarsi che l'alcalinità dell'acqua sia nel rango ottimale raccomandato di 60-120 ppm di CaCO₃. Utilizzare un kit per controllare il livello di Alcalinità Totale dell'acqua e, se è necessario, regolarla manualmente.

5.4.1. COLLEGAMENTO DELLA SONDA DI PH

Collegare le sonde di pH fornita al connettore BNC corrispondente situato alla base dell'unità (Fig. 21).

5.4.2. COLLEGAMENTO DELLA POMPA DOSATRICE

I sistemi per l'elettrolisi del sale (modelli MOD. XX-PH) sono dotati d'un connettore sulla loro base per il collegamento d'una pompa dosatrice per il controllo del pH dell'acqua della piscina. La pompa dosatrice può essere collegata mediante un connettore CEE22 fornito in dotazione con il sistema (Fig. 21).

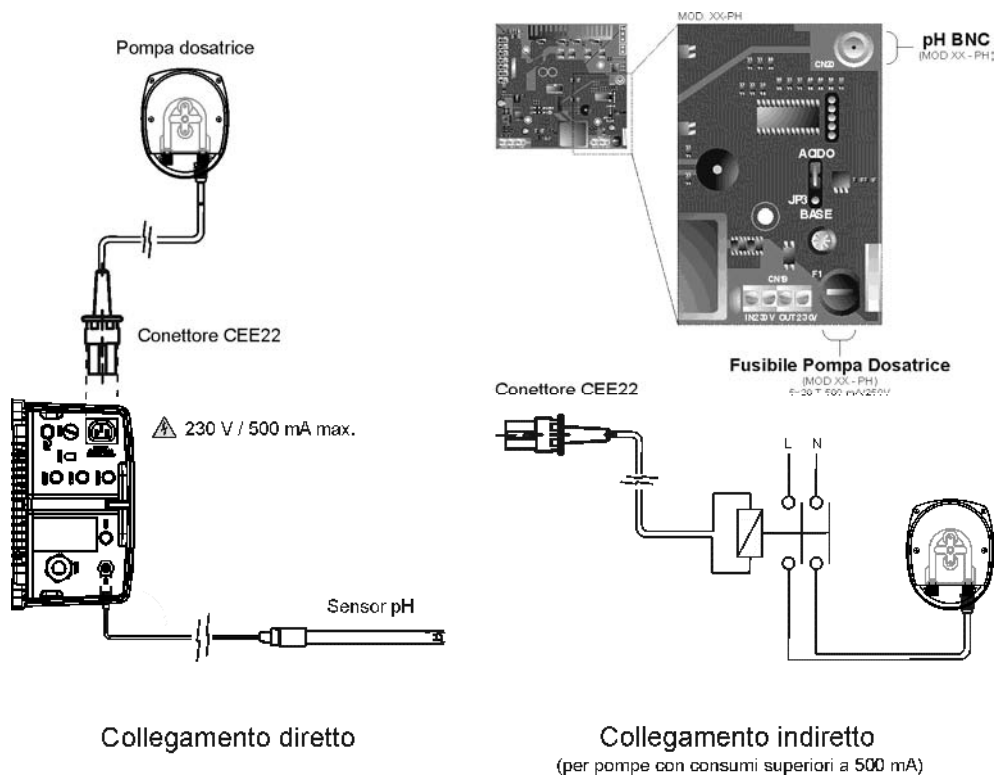


Fig. 21

5.4.3. PROGRAMMAZIONE DEL VALORE DI PH

Mantenere premuto il tasto "SET" [7] fino a quando l'indicatore [10] segni lampeggiando il valore di pH desiderato all'interno del rango 7.0 - 7.8 e lasciare una volta selezionato.

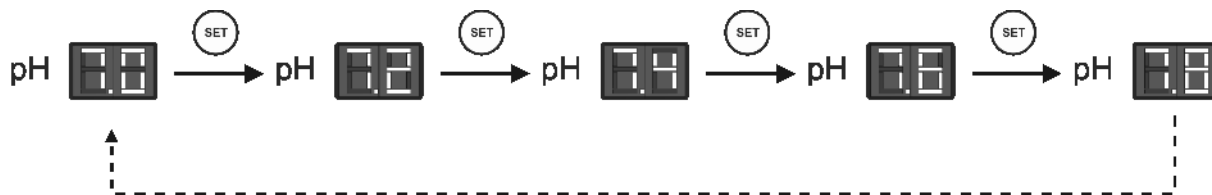


Fig. 22

Il valore di pH programmato si potrà vedere in qualsiasi momento premendo una volta il tasto "SET" [7].

5.4.4. CONFIGURAZIONE DELL'ARRESTO DI SICUREZZA DELLA POMPA DI DOSAGGIO (FUNZIONE PUMP-STOP)

Il regolatore di pH integrato ha un sistema integrato di sicurezza (FUNZIONE PUMP-STOP) che agiscono sulla pompa dosatrice che permette di evitare i seguenti situazioni:

- Danni alla pompa causati dal suo funzionamento a secco (prodotto pH-minus esaurito).
- Sovra-dosaggio di prodotto minoratore di pH (sensore danneggiato o al termine della vita utile).
- Problemi de regolazione di pH a causa della elevata alcalinità dell'acqua (piscina recentemente riempita, elevati livelli di carbonato).

Quando la funzione PUMP-STOP è abilitata (configurazione in fabbrica), il sistema interrompe la pompa dosatrice trancorso il tempo programmato senza aver raggiunto il setpoint di pH.

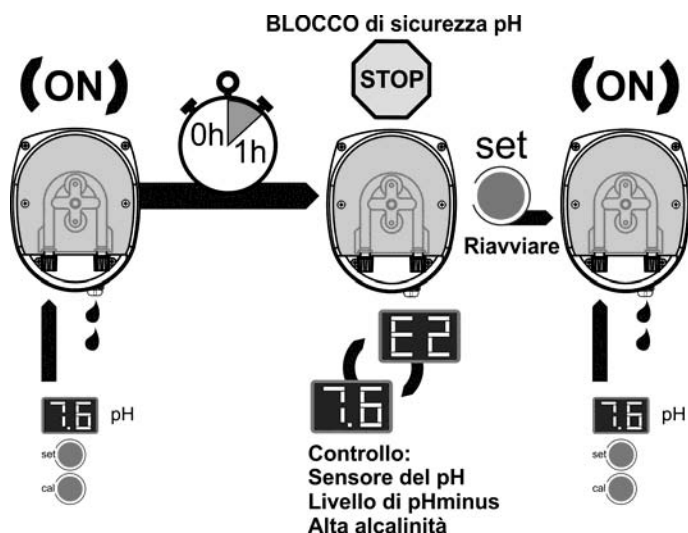
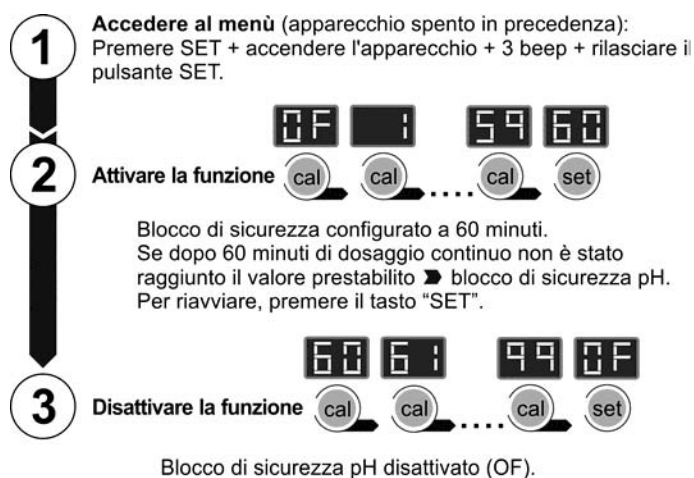


Fig. 22b

La FUNZIONE PUMP-STOP è configurata in fabbrica a 60 minuti. Per modificare questa configurazione, procedere come segue:



5.5. **Allarmi**

• **LIVELLO DI SALE ALTO**

Qualora sia stato aggiunto del sale in eccesso, la fonte di alimentazione ridurrà automaticamente il livello di potenza rispetto a quello selezionato. L'indicatore "salt" [4] rimarrà illuminato. In questo caso svuotare una parte della piscina (per esempio il 10% circa) ed aggiungere dell'acqua fredda per diminuire la concentrazione salina. Per conoscere il livello di sale in modo preciso vi raccomandiamo l'utilizzo di un misuratore portatile di salinità-temperatura.

• **LIVELLO DI SALE BASSO**

Qualora il livello del sale nell'acqua della piscina sia inferiore a quanto raccomandato, la fonte di alimentazione non potrà raggiungere il livello d'uscita selezionato. L'indicatore "salt" [4] lampeggerà. È possibile che il sistema indichi un livello di sale basso in caso di temperatura inferiore a 20°C, o se l'elettrodo ha raggiunto la fine della sua vita utile. In questo caso, determinare il livello salino dell'acqua ed aggiungere la quantità di sale necessario. Il tipo di sale comune (NaCl) indicato per l'elettrolisi salina non deve presentare additivi (antinfeltranti, ioduri) e deve essere idoneo al consumo umano. Per conoscere il livello di sale in modo preciso vi raccomandiamo l'utilizzo d'un misuratore portatile di salinità-temperatura.

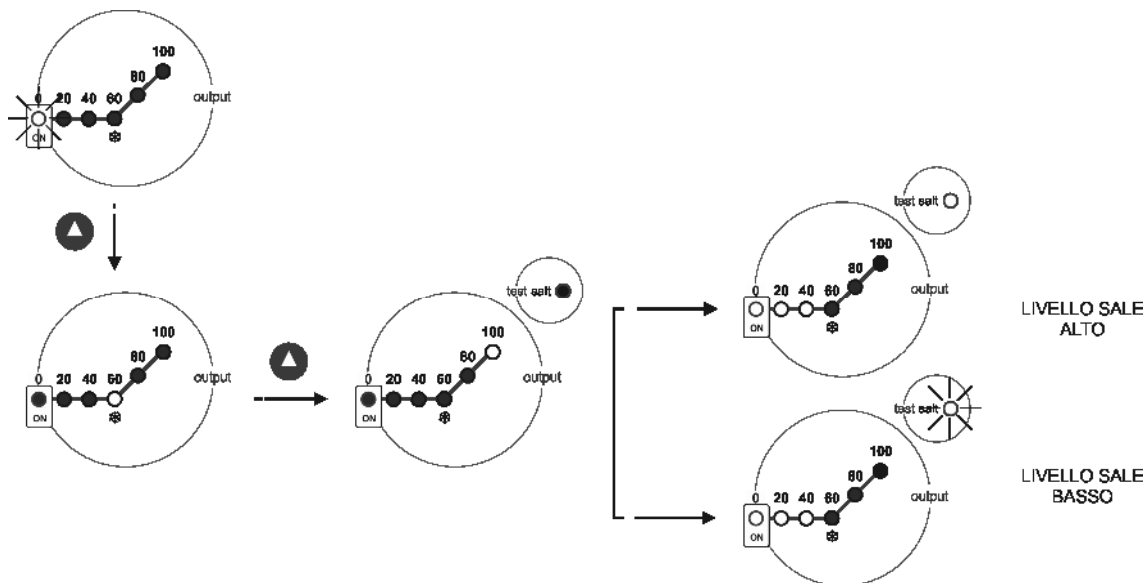
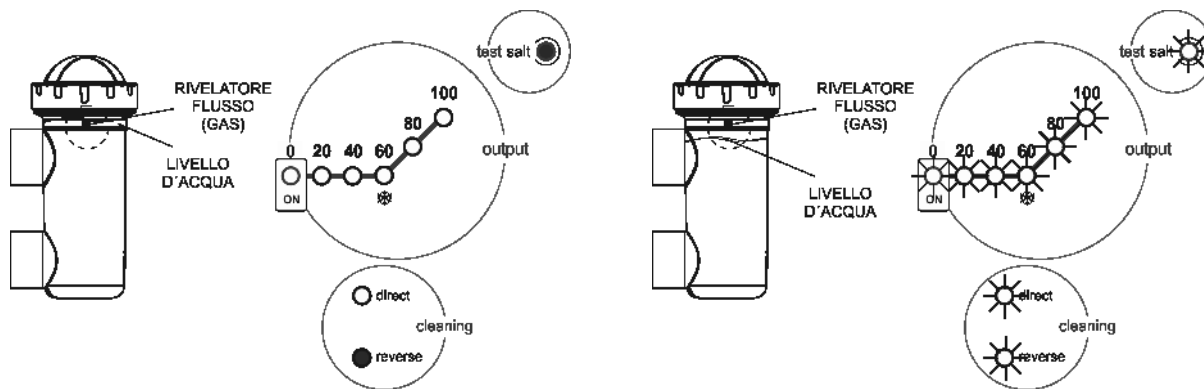


Fig. 23

• **LIVELLO D'ACQUA NELLA CELLULA / RIVELATORE DI FLUSSO (GAS)**

Qualora si formi un bolla d'aria o di gas nella parte superiore della cellula d'elettrolisi ed il RIVELATORE DI FLUSSO non sia sommerso, il sistema bloccherà automaticamente la produzione, e tutti i led del pannello di controllo lampeggeranno. Il sistema verrà riavviato automaticamente non appena ristabilito il passaggio dell'acqua nella cellula o eliminata la bolla.



1. Rivelatore di gas sommerso. Sistema operativo.

2. Gas rivelato. Sistema bloccato.

Fig. 24

- **CONTROLLO ESTERNO [JP2] ATTIVATO**

Quando il controllatore esterno avverte un valore superiore al setpoint fissato, arresta automaticamente la produzione ed il led "0%" della scala di produzione [1] emette scintillii intermittenti.

- **PH FUORI RANGO (solo in modelli MOD. XX-PH)**

Il regolatore di pH è dotato di due indicatori di ALLARME, che si illuminano qualora venga rilevato un valore anomalo di pH inferiore a 6.5 "low" [8] o superiore a 8.5 "high" [9]. Quando il regolatore rileva un allarme di pH attiva apre l'uscita di controllo della pompa dosatrice (pH) e arresta il suo funzionamento per sicurezza.

6. MANUTENZIONE:

6.1. Manutenzione della cellula d'elettrolisi

La cellula deve essere mantenuta nelle condizioni adeguate per assicurarle una lunga vita. Evitare che si formino incrostazioni calcaree sugli stessi. Il sistema per l'ELETTROLISI del SALE dispone d'un sistema di pulizia automatica degli elettrodi, per questo non è prevista la realizzazione di nessuna pulizia aggiuntiva. Tuttavia, se fosse necessario effettuare la pulizia all'interno della cellula, procedere nel modo seguente:

1. Staccare l'alimentazione 230 Vac del sistema.
2. Svitare il dado di chiusura situato all'estremo dove si trovano gli elettrodi, ed estrarre il pacchetto degli elettrodi.
3. Utilizzare una soluzione diluita di acido cloridrico (una parte di acido cloridrico in 10 parti d'acqua), immergendovi il pacchetto degli elettrodi per 10 minuti al massimo.
4. NON RASCHIARE NÉ SPAZZOLARE LA CELLULA ELETTROLITICA.

Gli elettrodi d'un sistema per l'ELETTROLISI del SALE sono costituiti da lamine di titanio ricoperte da uno strato di ossidi di metalli nobili. I processi di elettrolisi che si producono sulla sua superficie provocano un'usura progressiva, per ciò, allo scopo di ottimizzare il tempo di durata degli stessi, si dovrebbe tenere conto dei seguenti aspetti:

1. Nonostante si tratti di sistemi per l'ELETTROLISI del SALE AUTOPULENTI, un funzionamento prolungato del sistema a valori di pH superiori a 7,6 in acque di elevata durezza, può produrre l'accumulo di depositi calcarei sulla superficie degli elettrodi. Questi depositi deterioreranno progressivamente il rivestimento, causando una diminuzione della loro vita utile.
2. Puliture/lavaggi frequenti degli elettrodi (come quelli descritti precedentemente) accorceranno la loro vita utile.
3. Il funzionamento prolungato del sistema a salinità inferiori a 3 g/l causa un deterioramento prematuro degli elettrodi.
4. L'utilizzo frequente di prodotti alghicidi con alto contenuto di rame, può provocare la deposizione dello stesso sugli elettrodi, danneggiando progressivamente il rivestimento. Ricordare che il migliore alghicida è il cloro.

6.2. Calibrazione dell'elettrodo di pH (solo in modelli MOD. XX-PH)

Il regolatore di pH integrato dispone di due modalità di calibrazione del sensore di pH: "FAST" (veloce) e "STANDARD". Raccomandiamo di effettuarla, almeno, una volta al mese durante il periodo di utilizzo della piscina.

6.2.1. MODO "FAST"

Il modo "FAST" permette la calibrazione rutinaria del sensore di fronte a piccole deviazioni dello stesso **senza necessità di estrarre il sensore dall'impianto né di utilizzare soluzioni campione.**

PROCEDIMENTO:

1. Assicurarsi che il punto dove è inserito il sensore è immerso e che il depuratore sia in ricircolo.
2. Mediante un kit di misurazione di pH misurare il pH attuale dell'acqua della piscina.
3. Premere il tasto "CAL" [6] per 5 sec. circa fino a quando il sistema emetterà un segnale acustico e lasciare il tasto. Sullo schermo che indica il pH programmato [10], lampeggerà la scritta "7.0".
4. Mantenere premuto il tasto "SET" [7] fino a che non appare il valore di pH misurato precedentemente nell'acqua mediante il rispettivo kit. Una volta raggiunto, lasciare e premere il tasto "CAL" [6]. Se non si è rilevato nessun errore, il sistema è calibrato.

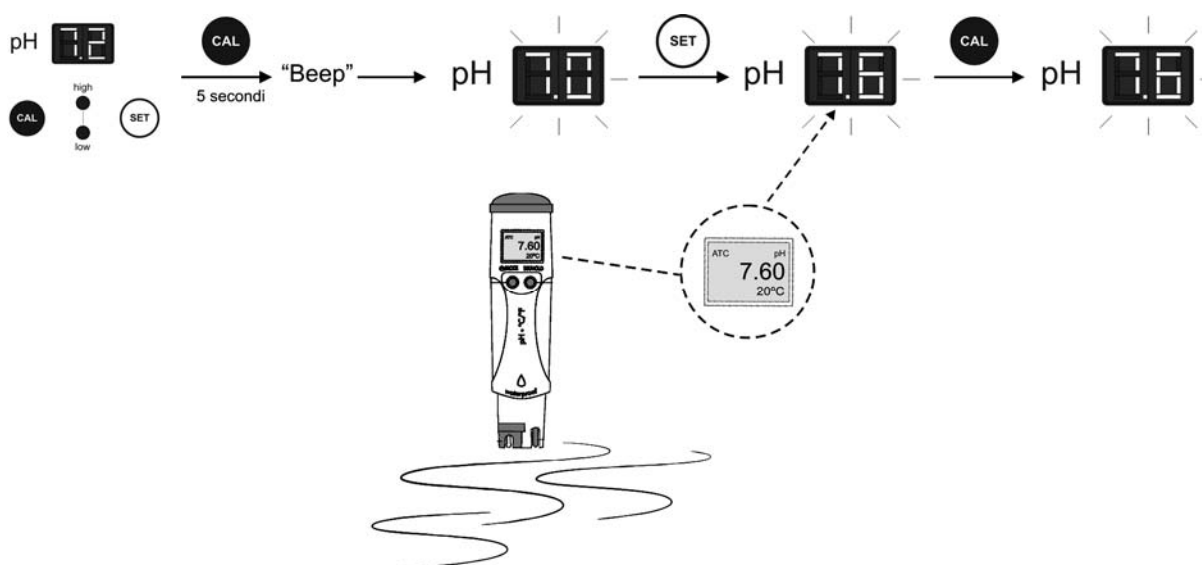


Fig. 25

6.2.2. MODO "ESTANDAR"

Il modo "ESTANDAR" permette la calibrazione precisa del sensore mediante l'impiego di due soluzioni campione di pH 7.0 e 4.0, tuttavia richiede l'estrazione del sensore dall'impianto.

PROCEDIMENTO:

IMPORTANTE: di procedere alla chiusura delle valvole del by-pass, arrestare il sistema nel pannello di controllo (vedere Sezione 5.1).

1. Estrarre il sensore dal porta-sonde e lavarlo con acqua abbondante.



Fig. 26

2. Premere il tasto "CAL" [6] a aproximadamente fino a quando il sistema emetterà un segnale acustico, quindi, senza rilasciarlo, premere "SET" [7] per qualche secondo, fino a che sullo schermo che indica il pH [10] lampeggerà la scritta "7.0".
3. Agitare con cautela il sensore per eliminare le possibili gocce d'acqua che vi possono essere rimaste attaccate e introdurlo nella soluzione campione pH=7.0 (colore verde). Agitare delicatamente per alcuni secondi, quindi premere il tasto "CAL" [6]. Una volta stabilizzata la lettura, sullo schermo [10] lampeggerà l'indicazione "4.0".

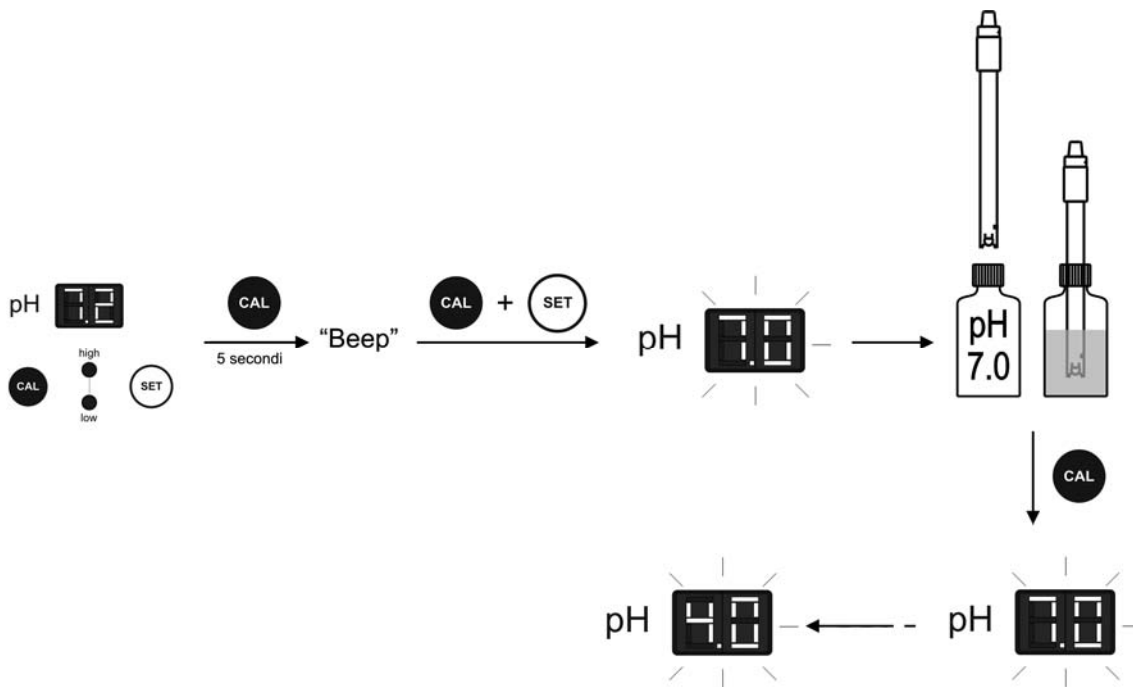


Fig. 27

4. Estrarre il sensore dalla soluzione e sciacquarlo con acqua abbondante.
5. Agitare delicatamente il sensore in modo da eliminare le possibili gocce d'acqua che vi possono essere rimaste attaccate ed immergerlo nella soluzione campione pH=4.0 (colore rosso). Agitare delicatamente per alcuni secondi e premere "CAL" [6]. Una volta stabilizzata la lettura, il regolatore uscirà automaticamente dalla modalità "calibrazione" e rimarrà in funzione.

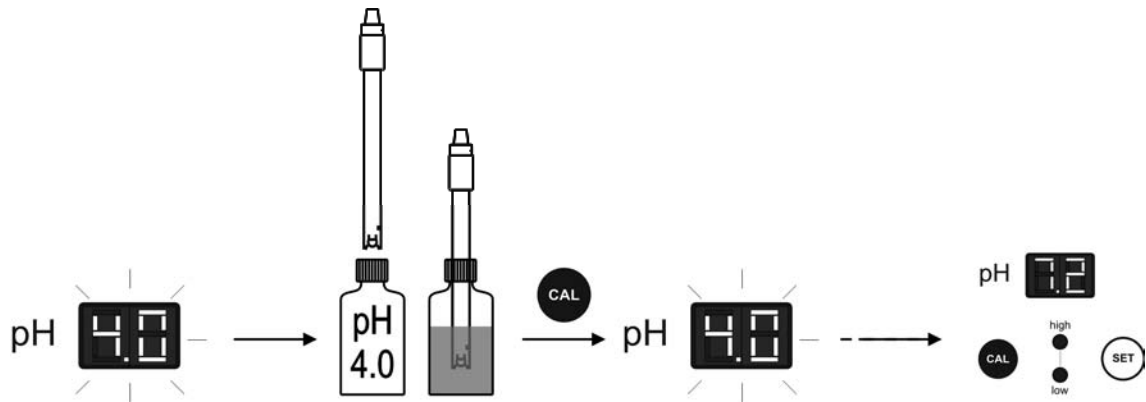





Fig. 28

MESSAGGI D'ERRORE:

pH  Se per qualsiasi motivo il processo di calibrazione si dovesse interrompere, il regolatore uscirà automaticamente dalla modalità "calibrazione" dopo alcuni secondi, senza l'intervento dell'utente. In questo caso, apparirà per alcuni istanti l'indicazione "E1" nello schermo [10].

pH  Se il valore di pH rilevato durante la calibrazione è molto diverso da quello sperato (p.e., sonda difettosa, etc.), il schermo [10] indicherà "E2", e non permetterà la calibrazione.

pH  Se la misura di pH è instabile durante il processo di calibrazione, apparirà il codice "E3" nello schermo [10]. Inoltre non si potrà calibrare il sensore.

6.3. Manutenzione della sonda di pH

1. Assicurarsi che la membrana del sensore sia sempre umida.
2. Se non si utilizza il sensore per un lungo periodo, conservarlo immerso in una soluzione di conservazione a pH=4.0
3. Per pulire il sensore da possibile sporcizia, evitare di utilizzare materiali abrasivi che possano graffiare la superficie di misurazione.
4. **La sonda di pH è un pezzo usurabile e dovrà essere sostituito dopo un certo periodo.**

7. PROBLEMI / SOLUZIONE: _____

Staccare sempre l'apparecchio dalla rete elettrica prima di intraprendere ogni azione richiesta per risolvere possibili problemi. Qualsiasi problema che non è previsto nella lista seguente dovrà essere risolto da un tecnico autorizzato.

PROBLEMA	SOLUZIONE
<p>L'indicatore di produzione indica sempre "0" in ogni livello di produzione scelto</p>	<p>Verificare lo stato degli elettrodi. Verificare le connessioni tra l'alimentatore e la cellula elettrolitica. Verificare la concentrazione di sale</p>
<p>L'alimentatore non si accende</p>	<p>Verificare che il sistema sia correttamente collegato a 230 V/50-60 Hz nel quadro di manovra della piscina. Verificare lo stato del fusibile situato nella parte inferiore dell'impianto.</p>
<p>Il livello di cloro libero nella piscina è basso</p>	<p>Verificare che il sistema produca cloro nel ritorno della piscina. Assicurarsi che i parametri chimici dell'acqua (pH, cloro combinato, acido isocianurico) siano corretti. Aumentare il tempo di filtraggio. Aggiungere stabilizzante di cloro (acido cianurico) fino a raggiungere un livello di 25-30 g./m³.</p>
<p>Il controllatore di pH indica sempre valori estremo, o le letture sono instabili.</p>	<p>Il cavo di connessione del sensore è danneggiato. Pulire i contatti o cambiare il cavo. Il sensore ha una bolla di aria nella zona della membrana. Installare il sensore in posizione verticale. Agitare delicatamente fino a far sparire la bolla. Difetto del sensore. Il cavo di connessione è troppo lungo o è vicino a fonti di interferenza elettromagnetica (motori, etc.). Sostituire il sensore. Installare l'impianto più vicino possibile al sensore.</p>
<p>Impossibile calibrare il sensore di pH</p>	<p>La soluzione di calibrazione è scaduta o contaminata. Membrana del sensore bloccata. Assicurarsi che la membrana non sia danneggiata. Pulire il sensore con acido diluito in acqua, agitando delicatamente. Difetto del sensore. Sostituire il sensore.</p>
<p>Risposta lenta del sensore di pH</p>	<p>Sensore caricato elettrostaticamente. Durante la fase di calibrazione gli sensori non devono essere asciugati con carta o tessuti in fibra. Pulire esclusivamente con acqua ed agitare delicatamente. Rinnovo insufficiente dell'acqua analizzata (non c'è flusso di acqua nel punto di analisi). Assicurarsi che l'estremo del sensore sia immerso nel punto di analisi, e non ci siano bolle d'aria.</p>

8. DATI TECNICI:

DETTAGLI TECNICI:

Tensione di alimentazione standard

230V AC - 50/60 Hz.

Cavo: 3 x 1.0 mm², lung. 2 m.

MOD. 7	0.2 A
MOD. 12	0.4 A
MOD. 21	0.4 A
MOD. 30	0.8 A
MOD. 40	0.9 A

Fusibile

MOD. 7	1 A T (5x20 mm)
MOD. 12	2 A T (5x20 mm)
MOD. 21	2 A T (5x20 mm)
MOD. 30	3.15 A T (5x20 mm)
MOD. 40	4 A T (5x20 mm)

Tensione d'uscita

Cavo 3 x 2.5 mm², lung. 2 m.

MOD. 7	10.5 VDC / 3.5 A
MOD. 12	10.5 VDC / 6.0 A
MOD. 21	23.0 VDC / 3.5 A
MOD. 30	20.0 VDC / 6.0 A
MOD. 40	24.0 VDC / 6.5 A

Produzione

MOD. 7	6 - 7 g./h.
MOD. 12	10 - 12 g./h.
MOD. 21	17 - 21 g./h.
MOD. 30	24 - 30 g./h.
MOD. 40	31 - 40 g./h.

Flusso minimo d'acqua

MOD. 7	1 m ³ /h.
MOD. 12	2 m ³ /h.
MOD. 21	3 m ³ /h.
MOD. 30	5 m ³ /h.
MOD. 40	6 m ³ /h.

Número di elettrodi

MOD. 7	3
MOD. 12	5
MOD. 21	7
MOD. 30	11
MOD. 40	13

Peso netto (imballaggio incluso)

MOD. 7	9 Kg.
MOD. 12	11 Kg.
MOD. 21	13 Kg.
MOD. 30	15 Kg.
MOD. 40	17 Kg.

CARATTERISTICHE GENERALI:

Sistema di controllo

- Microprocessore.
- Tastiera a membrana con pulsanti di controllo ed indicatori di funzionamento.
- E/U controllo: 2 entrate (tipo contatto libero di tensione) per stato della copertura automatica e controllatore esterno (ORP, CLORO RESIDUAL, etc.).
- Uscita cellula: controllo di produzione (5 livelli discrezionali).
- Rango di salinità / Temperatura: 3 - 12 g/l. / +15 - 40°C.
- Controllatore di pH integrato. (solo nei modelli MOD. XX-PH).

Auto-pulizia

Inversione di polarità automatica

Temperatura d'operazione

0°C à + 50°C

Refrigerazione: convezione naturale

Materiale

- Alimentatore
ABS
- Cellula di elettrolisi
Metacrilato trasparente

Elettrodo pH (solo nei modelli MOD. XX-PH)

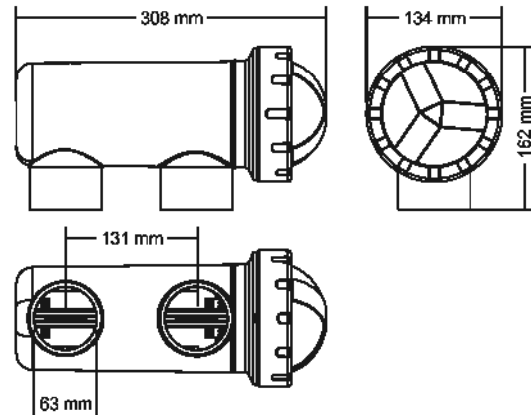
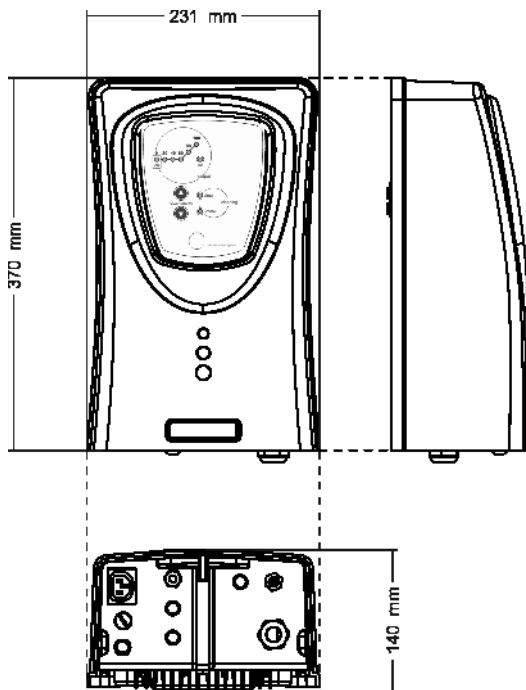
Corpo: plastica (protettore blu)

Rango: 0 - 12 pH

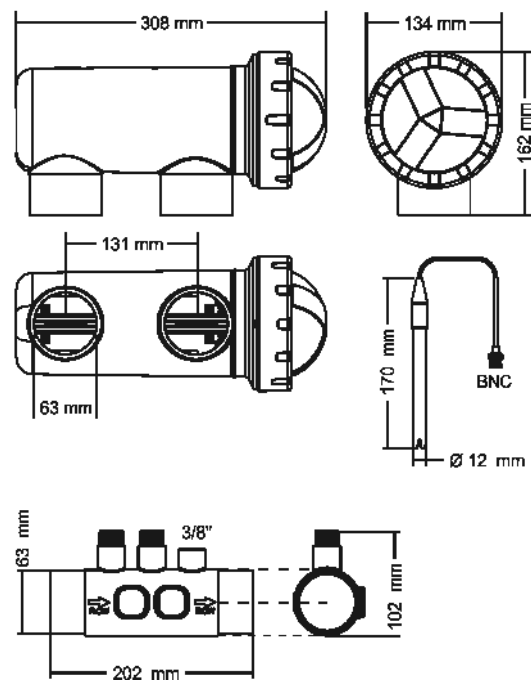
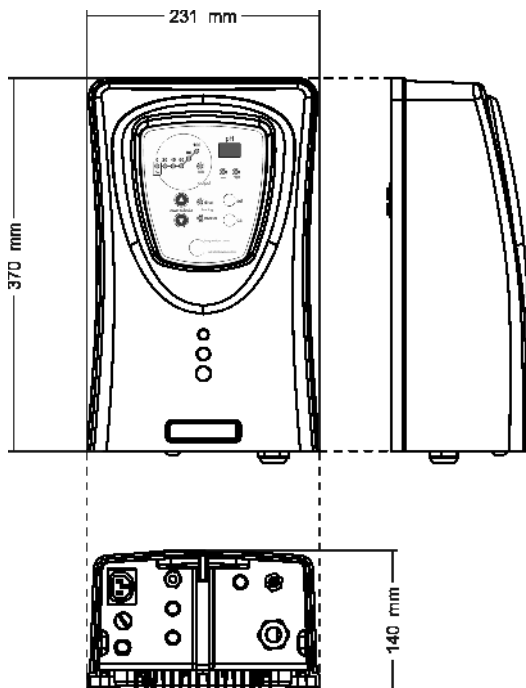
Elettrolito solido

Dimensioni

MOD. XX



MOD. XX-PH



9. CONDIZIONI DI GARANZIA:

9.1. ASPETTI GENERALI

- 9.1.1. Ai sensi delle presenti disposizioni, il venditore garantisce che il prodotto corrispondente a questa garanzia non presenta alcun difetto al momento della consegna.
- 9.1.2. Il Periodo Totale di Garanzia è di 2 ANNI.
- 9.1.3. Il Periodo Totale di Garanzia è calcolato dal momento della consegna all'acquirente. L'elettrodo è coperto da una garanzia di 2 ANNI (o 3.000 ore), non estendibile. La sonda di pH è coperta da una garanzia di 6 MESI, non estendibile.
- 9.1.4. In caso di difetto del prodotto segnalato dall'acquirente al venditore durante il periodo di garanzia, il venditore sarà tenuto a riparare o sostituire il prodotto a proprie spese nel luogo che ritenga opportuno, salvo nel caso in cui ciò risulti impossibile o sproporzionato.
- 9.1.5. Nel caso in cui il prodotto non possa essere riparato o sostituito, l'acquirente potrà richiedere una riduzione proporzionale del prezzo ovvero, qualora il difetto sia sufficientemente importante, la risoluzione del contratto di vendita.
- 9.1.6. Le parti sostituite o riparate in virtù della presente garanzia non estenderanno la durata della garanzia del prodotto originale, sebbene siano coperte da una garanzia propria.
- 9.1.7. Affinché la presente garanzia sia efficace, l'acquirente dovrà poter certificare la data d'acquisto e di consegna del prodotto.
- 9.1.8. Qualora l'acquirente, trascorsi oltre sei mesi dalla consegna del prodotto allo stesso, ne dichiari un difetto, dovrà dimostrarne l'origine e l'esistenza.
- 9.1.9. Il presente Certificato di Garanzia non limita o pregiudica i diritti dei consumatori ai sensi delle vigenti norme legali nazionali di carattere imperativo.

9.2. CONDIZIONI PARTICOLARI

- 9.2.1. Affinché la presente garanzia sia efficace, l'acquirente dovrà seguire strettamente le indicazioni del fabbricante comprese nella documentazione allegata al prodotto, qualora essa risulti applicabile in base alla gamma ed al modello del prodotto.
- 9.2.2. Qualora venga specificato un calendario per la sostituzione, la manutenzione o la pulizia di determinate parti o componenti del prodotto, la garanzia sarà valida solamente nel caso in cui tale tempistica sia stata correttamente rispettata.

9.3. LIMITAZIONI

- 9.3.1. La presente garanzia sarà applicabile unicamente alle vendite eseguite nei confronti di consumatori; per "consumatori" si intendono le persone che acquistino il prodotto per scopi estranei alla rispettiva attività professionale.
- 9.3.2. Non verrà concessa alcuna garanzia a copertura della normale usura dovuta all'utilizzo del prodotto, né per i pezzi, i componenti e/o i materiali fungibili o di consumo (ad eccezione dell'elettrodo).
- 9.3.3. La garanzia non copre i casi in cui il prodotto: (i) sia stato oggetto di uso improprio; (ii) sia stato ispezionato, riparato, mantenuto o manipolato da personale non autorizzato; (iii) sia stato riparato o mantenuto con pezzi non originali o (iv) sia stato installato o messo in servizio in modo improprio.
- 9.3.4. Qualora la mancanza di conformità del prodotto sia conseguenza d'una impropria installazione o messa in servizio, la presente garanzia sarà valida nel caso in cui tale installazione o messa in servizio sia inclusa nel contratto di acquisto-vendita del prodotto e sia stata eseguita dal venditore o sotto la propria responsabilità.
- 9.3.5. Danni e difetti del prodotto dovuti alle seguenti cause:
 - Programmazione difettosa del sistema e/o calibratura inadeguata dei sensori di pH/ORP per l'utente.
 - Funzionamento a concentrazioni di salinità inferiori a 3 g/l di cloruro sodico e/o temperature inferiori a 15°C o superiori a 40°C.
 - Funzionamento in condizioni di pH superiore a 7,6.
 - Impiego di prodotti chimici non esplicitamente autorizzati.
 - Esposizione ad ambienti corrosivi e/o temperature inferiori a 0°C o superiori a 50°C.

WICHTIG: Das Handbuch mit den Betriebsanleitungen, das Sie in Händen halten, enthält wichtige Information über die anzuwendenden Sicherheitsmaßnahmen für die Installation und Inbetriebnahme. Es ist daher unerlässlich, daß die Anweisungen vom Installateur und vom Benutzer vor der Montage und Inbetriebnahme aufmerksam durchgelesen werden. Bewahren Sie dieses Handbuch auf, falls Sie zu einem späteren Zeitpunkt Informationen über die Funktion dieses Apparates nachschlagen.



Die Entsorgung der Abfälle von elektronischen Haushaltsgeräten bzw sonstigen elektronischen Produkten in der Europäischen Union.

Alle Produkte die mit diesem Symbol markierte sind, zeigen an, das diese nicht mit den restlichen elektronischen Haushaltsgeräten zusammen entsorgt werden dürfen. Die Verantwortung liegt beim Benutzer, das die elektronischen Abfälle in die jeweiligen wiederverwertbaren Vorrichtungen entsorgt werden.

Die richtige Behandlung und Verarbeitung von diesen Abfällen, trägt wesentlich zur Erhaltung der Umwelt und zur Erhaltung der Gesundheit der Benutzer bei.

Um eine präzise information über die Abholtellen von den Abfällen zubekommen, nimmt man Kontakt mit den Verantwortlichen der lokalen Stelle auf.

Die Anweisungen in diesem Betriebshandbuch erklären die Funktionsweise und die Wartung von Salzelektrolysesystemen der serien MOD. XX und MOD. XX-PH. Für eine optimale Leistung des Salzelektrolysesystems wird empfohlen, die folgenden Anweisungen zu befolgen:

1. ÜBERPRÜFEN SIE DEN INHALT DER VERPACKUNG: _____

Im Inneren der Kiste befindet sich folgendes Zubehör:

- Netzgerät
- Elektrolysezelle
- pH sensor (nur in MOD. XX-PH Geräten)
- Elektrodenhalter (optional in MOD. XX-PH Geräten)
- Kalibrierungslösungen pH 7.0 (Grün) / pH 4.0 (Rot) (nur in MOD. XX-PH Geräten)
- Stecker CEE22 für Dosierungpumpe (nur in MOD. XX-PH Geräten)
- Betriebshandbuch

2. ALLGEMEINE KENNZEICHEN: _____

Nach der Montage Ihrer Salzelektrolyse-system ist es nötig, eine Menge Salz in Wasser aufzulösen. Dieses Salzwasser fließt durch die Elektrolysezelle, die sich in der Kläranlage befindet. Die Salzelektrolyse-Anlage besteht aus zwei Bestandteilen: die Elektrolysezelle und das Netzgerät . Die Elektrolysezelle enthält eine bestimmte Anzahl an Titanplatten (Elektroden), so dass, wenn man durch sie Elektrostrom fließen lässt und die Salzlösung durch sie fließt, freies Chlor erzeugt wird.

Die Unterhaltung eines bestimmten Chlorstandes im Poolwasser garantiert seine sanitäre Qualität. Eine Salzelektrolysesystem stellt dann Chlor her, wenn das Strömungssystem des Pools (Pumpe und Filter) in Betrieb sind.

Das Netzgerät verfügt über verschiedene Alarmeinheiten, die sich bei einem anomalen Verhalten der Anlage in Gang setzen und über ein Produktionsüberwachungssystem das über einen Mikroprozessor gesteuert wird.

Das Salzelektrolysesystem verfügt über ein automatisches Reinigungssystem, das Kalkablagerungen an den Elektroden vorbeugt. Außerdem gehört eine automatische pH Kontrollvorrichtung zu den Systemen der Serien MOD. XX-PH.

3. SICHERHEITSHINWEISE UND EMPFEHLUNGEN: _____

- System muß von qualifiziertem Persona angebracht werden.
- Unfallverhütungsmaßnahmen sowie gültige Vorschriften für Elektroanlagen beachten.
- Der Hersteller haftet in keinem Fall für Montagen, Installationen oder Inbetriebnahmen oder für jegliche Handhabung oder den Einbau von Komponenten, die nicht im Werk des Herstellers erfolgten.
- Salzelektrolyse Systeme funktionieren mit 230 VAC / 50-60 Hz. Versuchen Sie niemals, den System umzubauen, damit er mit einer anderen Spannung funktioniert.
- Überprüfen Sie, ob alle Anschlüsse richtig sitzen, um Wackelkontakte und deren Überhitzung zu vermeiden.
- Vor dem Einbau oder Austausch eines Systembauteils darauf achten, dass es vorher von der Versorgungsspannung getrennt wurde. Nur Original Ersatzteile des Herstellers verwenden.
- Da das Gerät relativ viel Hitze erzeugt, muss es an einem gut durchlüfteten Ort installiert werden und die Belüftungsöffnungen dürfen durch keinerlei Objekte verschlossen werden.
- Die Salzelektrolysesysteme entsprechen dem Schutzgrad IP24. Sie dürfen niemals an Orten installiert werden, die überschwemmt werden können.

NETZGERÄT

BESCHREIBUNG	MODELL				
	MOD.7 MOD.7 PH	MOD.12 MOD.12 PH	MOD.21 MOD.21 PH	MOD.30 MOD.30 PH	MOD.40 MOD.40 PH
Standard-Gebrauchsspannung	230 V AC, 50 Hz./60 Hz.				
Ausgang (dc)	3.5 A x 2	6 A x 2	3.5 A x 6	6 A x 5	6.5 A x 6
Erzeugung (g/h)	6 - 7	10 - 12	17 - 21	24 - 30	31 - 40
Schwimmbad Volumen (m ³) Warm: 16 - 24°C Heiß: +25°C	40 25	60 50	100 80	160 120	200 160
Flussdetektor	Gasdetektor				
Salzgehalt / Temperatur rank	3 - 12 g./l. / +15 - 40°C				
Elektroden	Titan mit SELBSTREINIGENDER Beschichtung Geschätzte Lebenszeit: 8.000 - 10.000 Betriebsstunden (abhängig von der Wasserart) ⁽²⁾				
Erzeugungssteuerung	0 - 100 % (5 Erzeugungsniveaus)				
Polaritätswechsel	2 ⁽¹⁾ / 3 Stunden programmierbar (Jumper auf der Platine)+ Testmodus				
Salzstufenschutz	Automatischer Produktionsschutz				

⁽¹⁾ Vom Werk programmierte Vorgabewerte

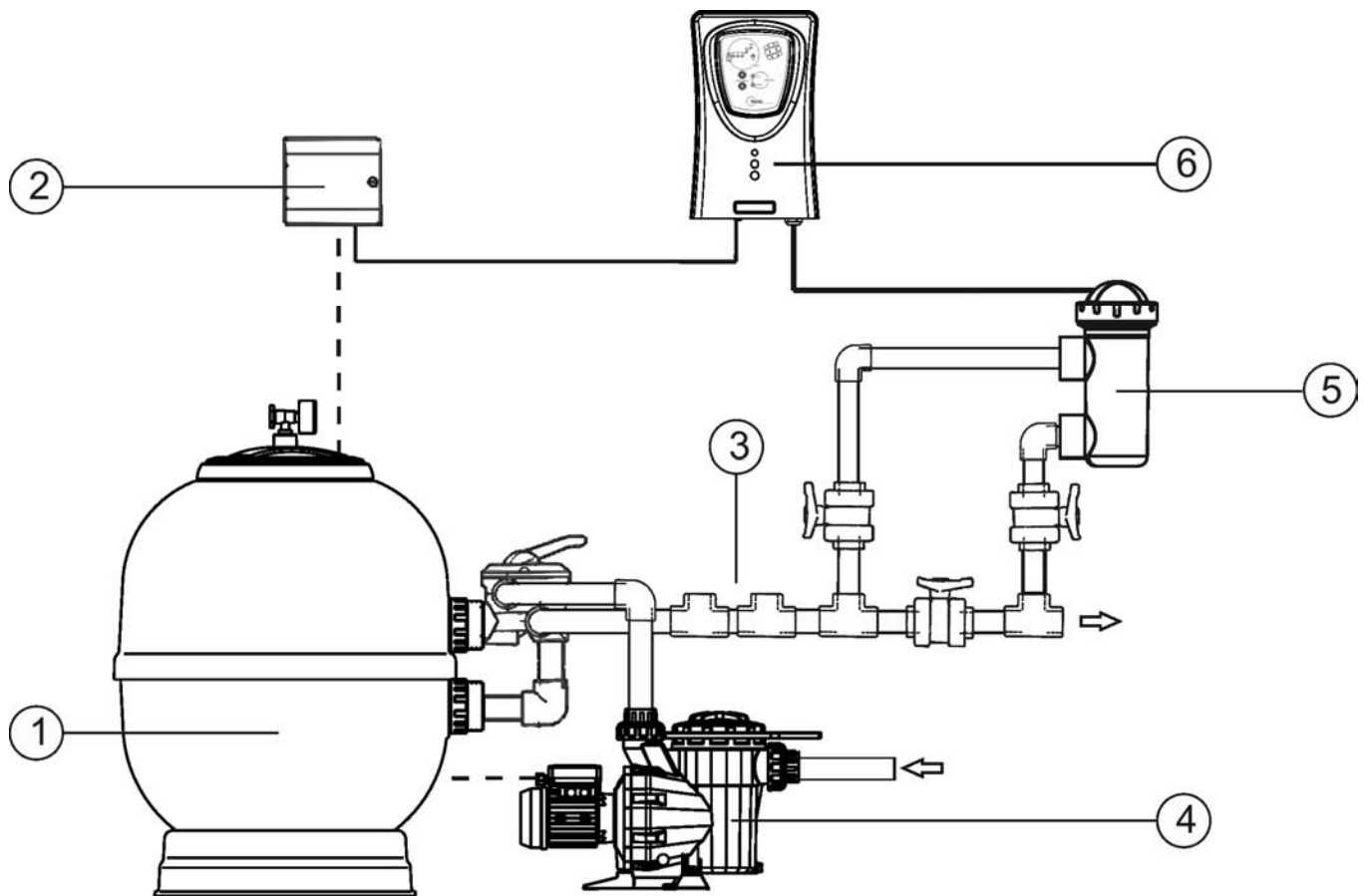
⁽²⁾ Unter idealen Bedingungen: Salzgehalt (6 g/l), pH (7.2), Wasserhärte (120 mg/l) und Kleinste Durchflussmenge.

ELEKTROLYSEZELLE

BESCHREIBUNG	MODELL				
	MOD.7 MOD.7 PH	MOD.12 MOD.12 PH	MOD.21 MOD.21 PH	MOD.30 MOD.30 PH	MOD.40 MOD.40 PH
Kleinste Durchflussmenge	1 m ³ /h	2 m ³ /h	3 m ³ /h	5 m ³ /h	6 m ³ /h
Elektrodenanzahl	3	5	7	11	13
Material	Polimer aus der Methacrylat-Familie				
Anschluss an die Rohrleitung	Verleimung mit Klebemittel für PVC-Rohr Ø 63 mm.				
Maximaler Höchstdruck	1 Kg./cm ²				
Arbeitstemperatur	Unter 40°C				

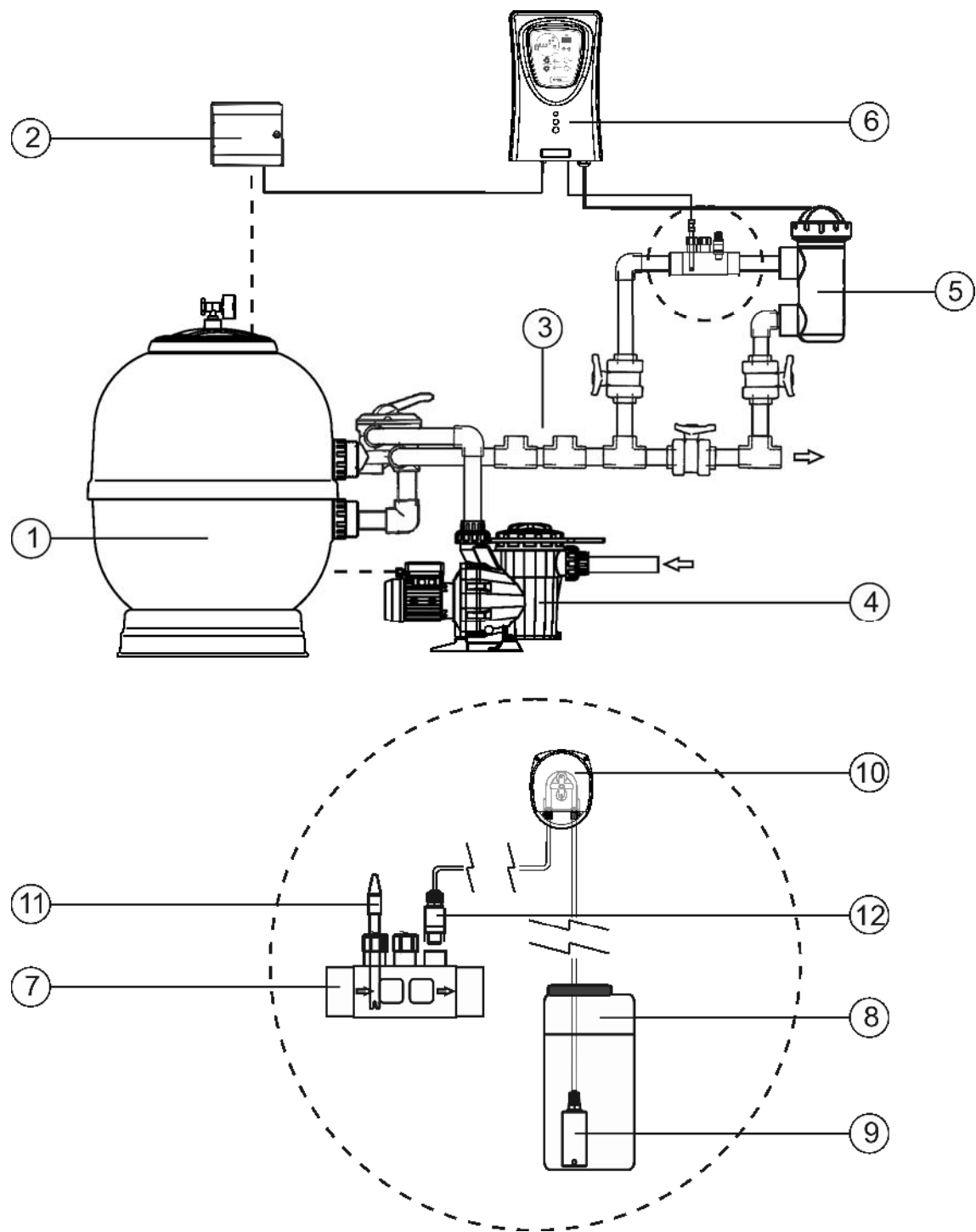
PH-REGLER (nur in MOD. XX-PH Geräten)

BESCHREIBUNG	MODELL				
	MOD.7 PH	MOD.12 PH	MOD.21 PH	MOD.30 PH	MOD.40 PH
Messbandbreite	0.0 - 9.9 (pH)				
Steuerbandbreite	7.0 - 7.8 (pH)				
Genauigkeit	± 0.1 pH				
Kalibrierung	Automatisch anhand von Musterlösungen				
Steuerausgänge [pH]	Ein 230 VAC / 500 mA Ausgang zum Anschluss der Dosierungspumpe				
pH sensor	Epoxy- Gehäuse, 12x150 mm.,einfacher Anschluss, 0-80°C BLAUES farbe, bereich 0 - 12 (pH)				



- 1.- Filter.
- 2.- Schalttafel.
- 3.- Andere ausrüstungen (Wärmetauscher, UV, etc.).
- 4.- Pumpe.
- 5.- Elektrolysezelle.
- 6.- Netzgerät.

Abb.1 Empfohlenes Installation Diagramm (modelle MOD. XX).



- | | |
|---|----------------------------------|
| 1.- Filter. | 7.- Elektrodenhalter (optional). |
| 2.- Schalttafel. | 8.- pH-minus Tank. |
| 3.- Andere ausrüstungen
(Wärmetauscher, UV, etc.). | 9.- Ansaugfilter |
| 4.- Pumpe. | 10.- Dosierung pompe |
| 5.- Elektrolysezelle. | 11.- pH-Sensor. |
| 6.- Netzgerät. | 12.- Einspritzventil. |

Abb.2 Empfohlenes Installation Diagramm (modelle MOD. XX-PH).

4. MONTAGE:

4.1. Netzgerät

Das NETZGERÄT der Elektrolysesystem immer SENKRECHT und auf einer festen Oberfläche (Mauer) montieren, so wie es im Montageplan dargestellt ist (Abb. 1,2). Um einen optimalen Erhaltungszustand zu erreichen, empfiehlt es sich das Gerät an einer trockenen und gut durchlüfteten Stelle zu montieren. Das NETZGERÄT der Elektrolysesystem sollte nicht der Witterung ausgesetzt sein, denn es ist nicht Wasserdicht.

Vermeiden Sie insbe Sensorre die Bildung ätzender Korrosionsmedien wegen der PH-vermindernden Lösungen (genau gesagt, die Formeln mit „ HCl^- -Salzsäure). Das Elektrolysesystem nicht in der Nähe der Lagerungsorte dieser Produkte montieren. Wir empfehlen dringlichst die Benutzung von Produkten auf der Basis von Natriumhydrogensulfid oder aufgelöster Schwefelsäure. Der Anschluss des Netzgerätes an das Stromnetz muss im elektrischen Steuerkasten der Filteranlage erfolgen, so dass die Pumpe und das Elektrolysesystem gleichzeitig angeschlossen werden.

4.2. Elektrolysezelle

Die Elektrolysezelle besteht aus durchsichtigem Polymer und in ihrem Innern befinden sich die Elektroden. Die Elektrolysezelle sollte an einer trockenen, nicht der Witterung ausgesetzten Stelle, installiert werden und **immer nach dem Filtersystem angeschlossen werden**. Wenn noch andere Elemente zur Anlage gehören wie z. B. Wärepumpen, Steuerungssysteme, usw., sollten diese immer vor dem Elektrolysesystem angeschlossen werden.

Die Elektrolysezelle sollte an einer gut erreichbaren Stelle installiert werden, so dass der Benutzer die Elektroden gut erreichen kann. Am besten ist es, wenn die Elektrolysezelle auf der Rohrleitung montiert wird und mit zwei Ventilen vom Rest der Anlage getrennt werden kann; dies erleichtert die Wartungsarbeiten ohne dass dazu das Schwimmbad ganz oder teilweise geleert werden muss.

Falls die Zelle im by-pass montiert wird (empfohlene Option), muss ein Ventil zur Regulierung der Strömung installiert werden. Bevor Sie mit der entgültigen Montage des Systems beginnen, sollten Sie folgende Ratschläge beachten:

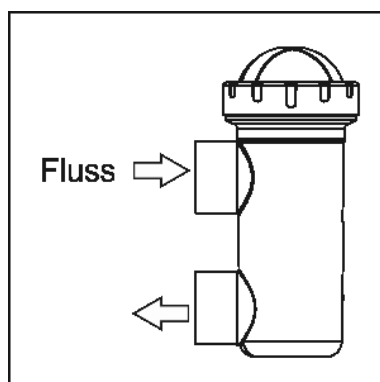


Abb. 3

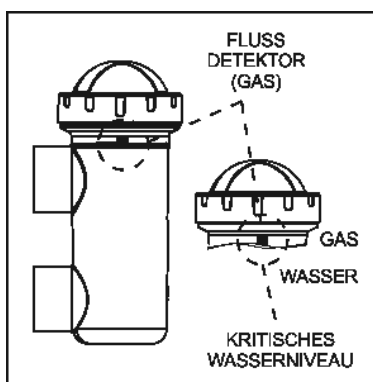


Abb. 4

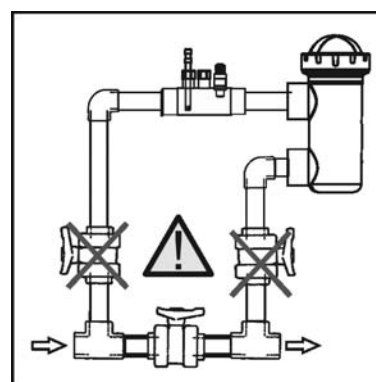


Abb. 5

1. Die in der Zelle angegebene Strömungsrichtung muss unbedingt beachtet werden. Die in der Tabelle „TECHNISCHE ANGABEN“ angegebene Mindestdurchflussmengen für die verschiedenen Modelle, müssen vom Umlaufsystem eingehalten werden (Siehe Absatz 9).

2. Das Flussdetektor wird aktiviert wenn kein Wasserumlauf (Strömung) in der Zelle registriert wird oder wenn dieser sehr gering ist. Wenn das Gas bei der Elektrolyse nicht abgelassen wird, entstehen eine Blase welche die Hilfelektrode elektrisch isoliert (elektronische Detektion). Daher, wenn die Elektroden in die Zelle eingeführt werden, sollte sich die Niveauelektrode (Hilfelektrode) im oberen Bereich der Zelle befinden. Am besten sollten Sie die Hilfelektrode so plazieren wie auf der Abbildung dargestellt ist. Um eine übermäßige Schwingung der Elektroden zu vermeiden, sollten diese im Inneren der Zelle parallel zur Wasserströmung gelegt werden.

3. **ACHTUNG:** wenn beide Ventile, Eingangs- und Ausgangsventil zur Rohrleitung, dort wo die Elektrolysezelle angeschlossen ist, gleichzeitig geschlossen werden funktioniert der Strömungs-Messer nicht richtig und kann sogar beschädigt werden. Obwohl dies eine ausgesprochen ungewöhnliche Situation darstellt, **kann sie vermieden werden, indem das Rückflussventil zum Schwimmbad nach dem Einbau des Geräts verriegelt wird**. Somit kann es nicht aus Versehen manipuliert werden.

Man kann sie auch an einer anderen Stelle montieren, aber nur dann, wenn eine geringe Strömung registriert werden kann.

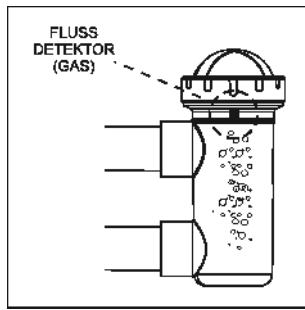


Abb. 6

EMPFOHLENE Installation

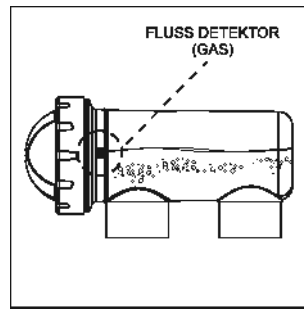


Abb. 7

Erlaubte Installation

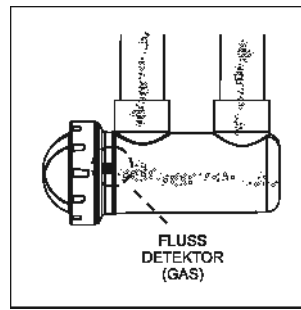


Fig 8

NICHT ERLAUBTE Installationen

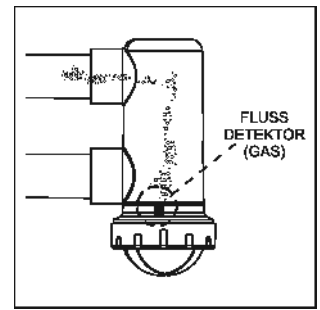


Fig 9

Die Elektroden müssen in das Innere der Elektrolysezelle eingebaut werden, indem die Zentralelektrode der Baugruppe durch die Führungen im oberen und unteren Gehäuseteil der Zelle eingesetzt wird.

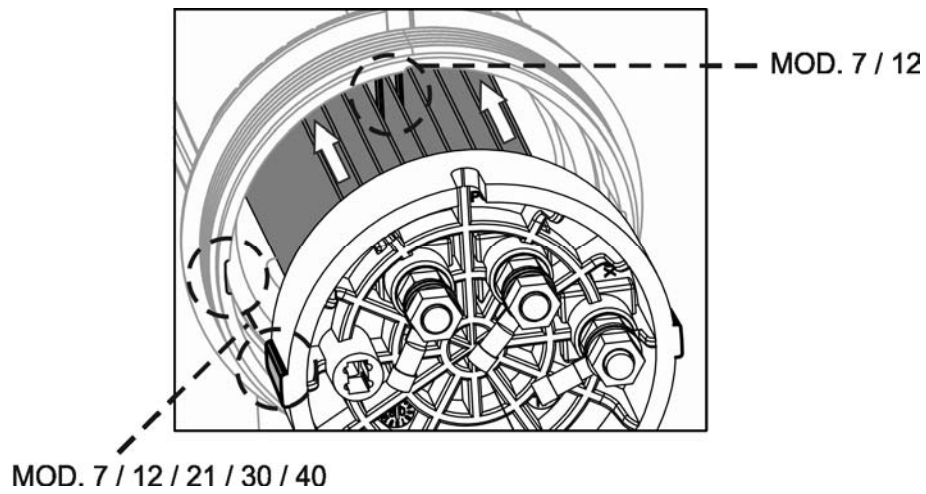


Fig 10

4.3. Elektrische Anschlüsse der Elektrolysezelle

Zusammenschluss zwischen der Elektrolysezelle und dem Netzgerät so wie auf der Abbildung dargestellt ist durchführen. Wegen der relativ hohen Stromstärke, sollten die Stromkabel die mit der Elektrolysezelle verbunden sind, in keinem Fall gekürzt oder getrennt werden, ohne vorher den zugelassenen Fachhändler zu befragen. Das Anschlusskabel zwischen Zelle und Netzgerät muss die in diesem Handbuch angegebene Dicke einhalten: MOD.7 (3.5 A), 15 m.; MOD.12 (6 A), 8 m.; MOD.21 (3.5 A), 30 m.; MOD.30 (6 A), 20 m; MOD.40 (6 A), 20 m.

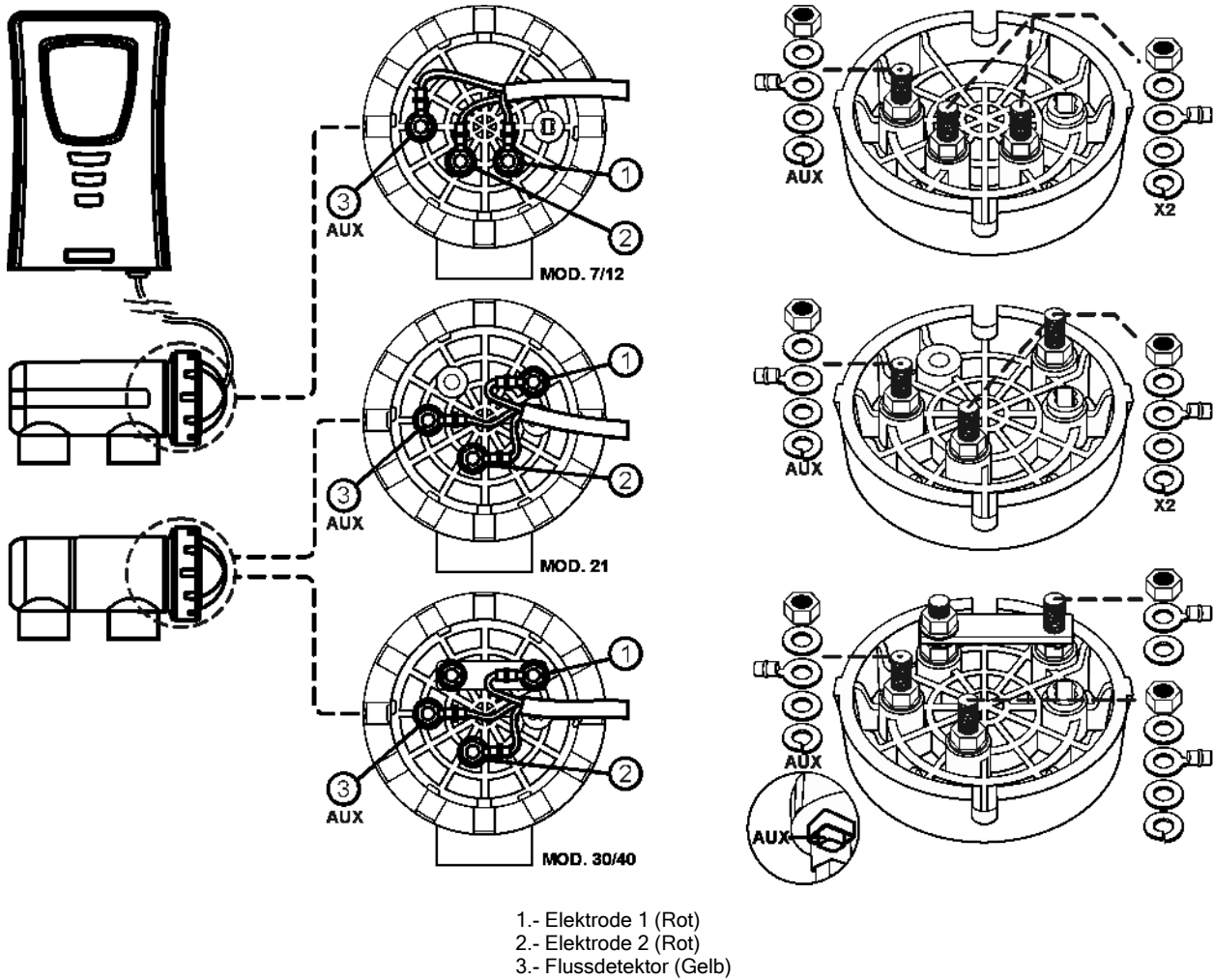


Abb.11

4.4. pH-Sensor (nur in MOD. XX-PH Geräten)

1. Die mit dem Gerät gelieferten pH sensor in die entsprechenden Sensorträgerlagerungen einsetzen (Abb. 12).
2. Lösen Sie hierfür die Überwurfmutter und setzen Sie die Elektrode ein.
3. Die sensor muss so in den Anschlussstutzen eingeführt werden, dass der Sensor, der sich an seinem äußerem Ende befindet, immer im Wasser eingetaucht ist das durch die Leitungen fließ.
4. Die sensor Sensor sollte am besten immer senkrecht installiert werden oder mit einer maximalen Neigung von 40° (Abb. 13).

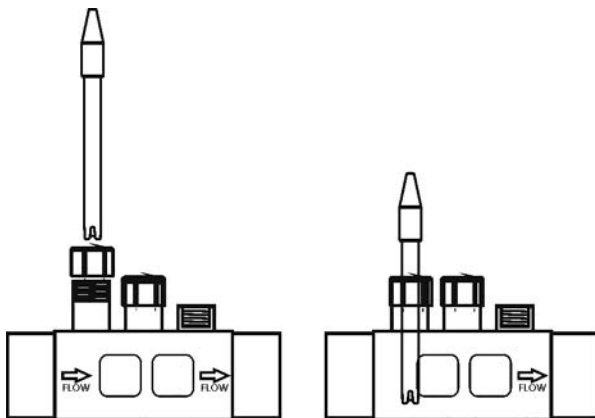


Abb. 12

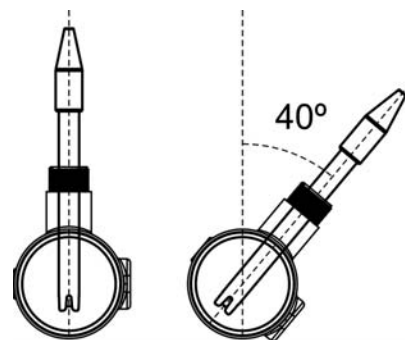


Abb. 13

4.5. Steuerungen und Anzeileuchten

Die Salzelektrolysesysteme sind mit einer auf der Vorderseite befindlichen Steuertafel ausgestattet (Abb. 14,15).

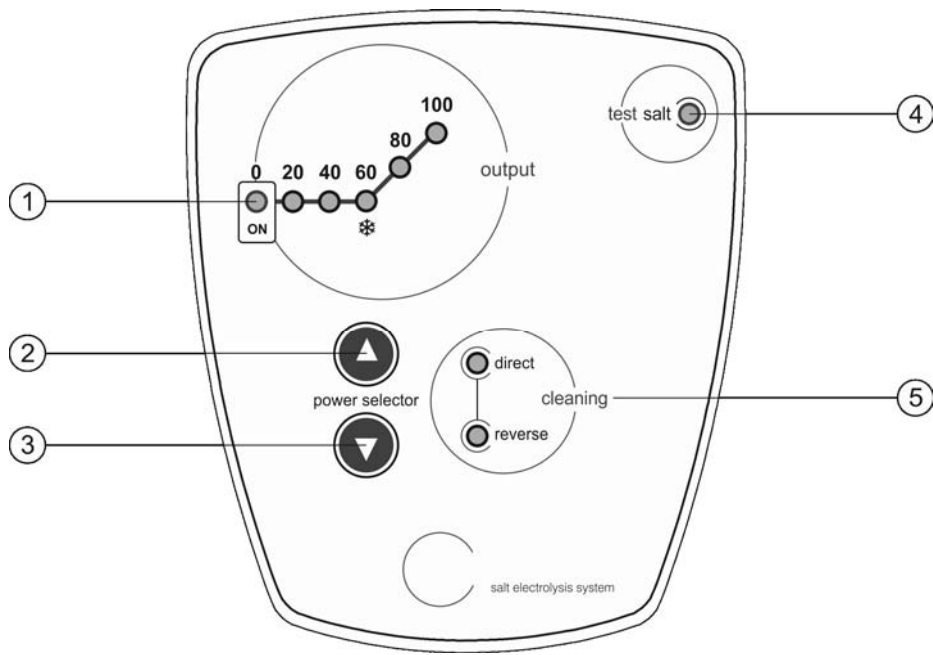


Abb. 14. Steuertafel modelle MOD. XX-PH.

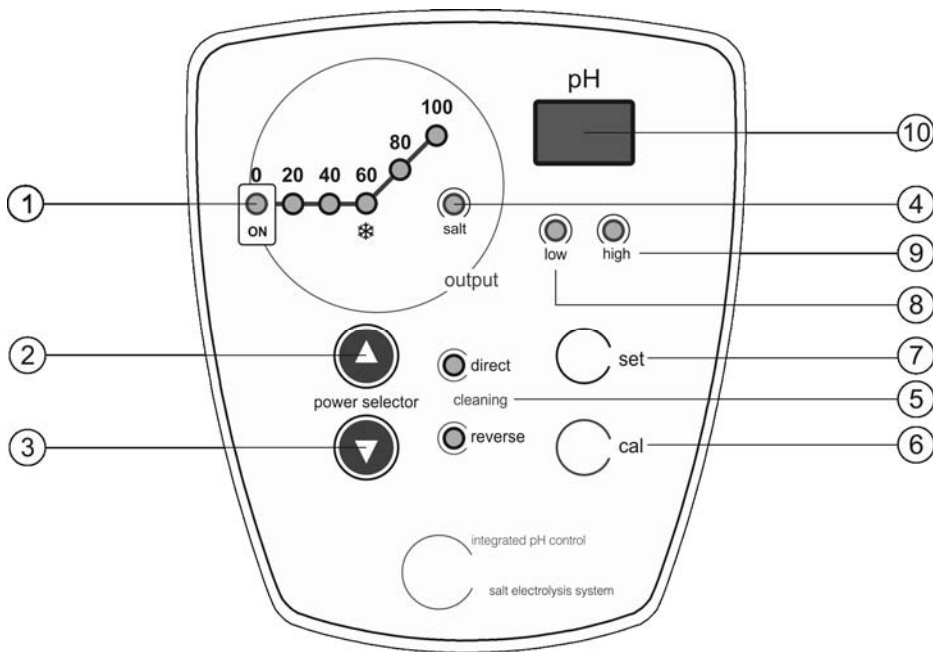


Abb. 15. Steuertafel modelle MOD. XX-PH .

- | | |
|---|---|
| 1. Produktionsskala (%) | 6. Taste für pH KALIBRIERUNGSMODUS |
| 2. „▼“ Taste (Produktion senken) | 7. Programmiertaste und Anzeige des pH-Einstellpunkts |
| 3. „▲“ Taste (Produktion erhöhen) | 8. ALARManzeiger pH NIEDRIG (< 6.5) |
| 4. Alarm für Salzgehalt (hoher/niedriger) | 9. ALARManzeiger pH HOCH (> 8.5) |
| 5. SELBSTREINIGUNGSanzeiger (DIREKTE / UMKEHRPOLARITÄT) | 10. Systeminformationsbild (Wasser-pH / Setpoint-pH). |

4.6. Programmierung und Steuerung

Außer den grundlegenden Operationen verfügt das Salzelektrolysesystem über einen externen Steuereingang über einen Controller für ORP-, Restchlor, usw., und über einen Eingang für die Einstellung der Geräteproduktion, wenn die automatische Abdeckung des Schwimmbads aktiviert wird. Außerdem ermöglicht er die Konfiguration der drei SELBSTREINIGUNGS-Modi der Elektroden: TEST, 2/2, 3/3 Stunden.

- **ELEKTRODENSELBSTREINIGUNGSSYSTEM:** die LEDs [5] zeigen den Polarisierungszustand der Elektroden (direkt/ umgekehrt) an. Die Umkehrfrequenz kann mit dem auf der Systemsteuerplatte befindlichen „JP1“-Jumper gewählt werden (Abb. 16). Diese Konfiguration tritt in Kraft, wenn man das Gerät aus- und wieder einschaltet.
- **Steuerung bei Nutzung einer AUTOMATISCHEN ABDECKUNG:** das System verfügt über einen spannungsfreien Kontakt. Schließt sich der an diesem Eingang angeschlossene Kontakt (automatische Abdeckung GESCHLOSSEN), senkt das Elektrolysesystem seine Produktion auf 10 % des Nennwerts(an der Produktionsskala leuchtet die LED „20 %“ auf).
- **EXTERNE Steuerung:** das System verfügt über einen zusätzlichen Hilfeingang für einen spannungsfreien Kontakt. Dieser Eingang kann verwendet werden, damit das Elektrolysesystem mit einem externen Controller (ORP, RESTCHLOR, FOTOMETER, usw.) geschaltet werden kann. Ist der an diesen Eingang angeschlossene Kontakt GEÖFFNET, stoppt das Elektrolysesystem. Um diesen Eingang einzuschalten, muss der auf der Steuerplatte des Geräts befindliche „JP2“-Jumper gewählt werden. Diese Konfiguration tritt in Kraft, wenn man das Gerät aus- und wieder einschaltet.

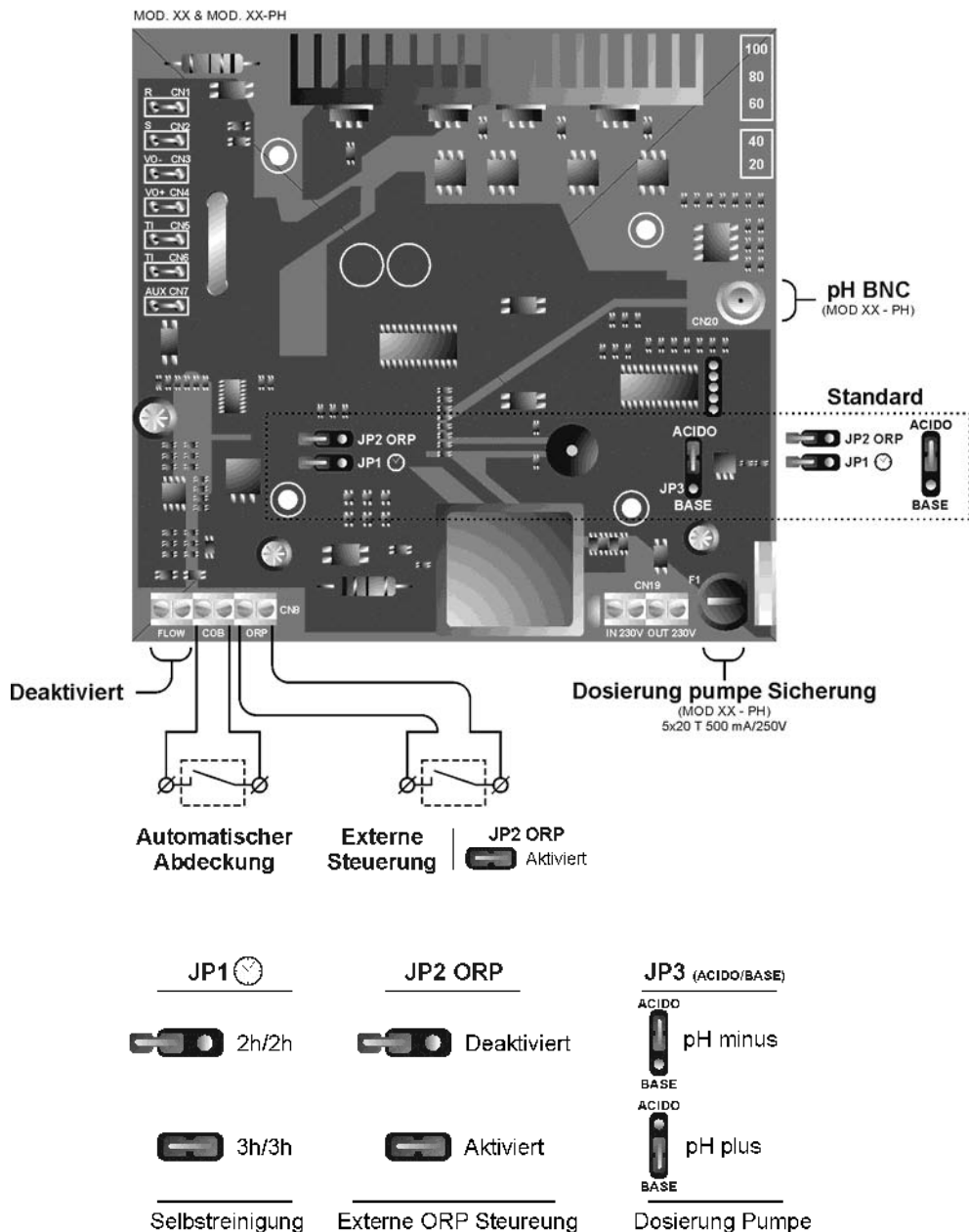


Abb. 16

4.7. Abnahme des Gehäuses

1. Nehmen Sie die Zierverkleidung (A) von der vorderen Gehäusesseite ab.
2. Lösen Sie die Befestigungsschraube (B) am unteren Teil des Geräts.
3. Nehmen Sie das Gehäuse ab, indem Sie es langsam nach oben und nach vorn ziehen.

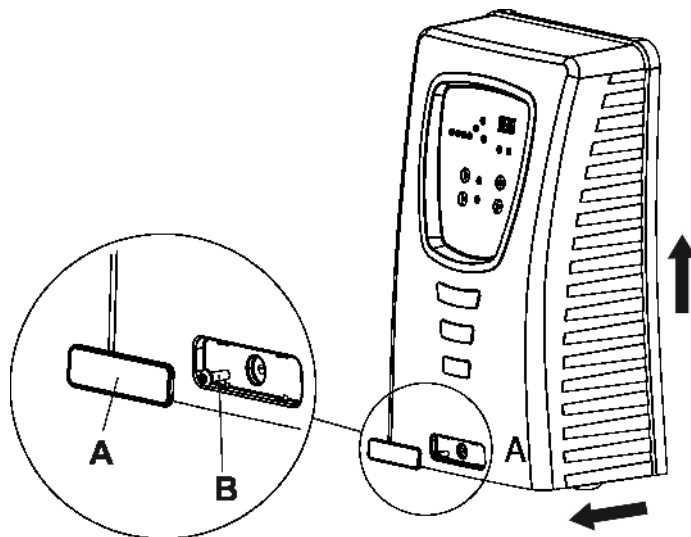


Abb. 17

4.8. Inbetriebnahme

1. Vergewissern Sie sich, dass der Filter 100% sauber ist und dass im Pool und in der Anlage kein Kupfer, Eisen oder Algen vorhanden sind, wie auch dass jede eingerichtete Heizanlage mit der Anwesenheit von Salz in Wasser kompatibel ist.

2. Schwimmbadwasser ausgleichen. So wird die Wasserpflege wirkungsvoller mit einem kleinerem Gehalt an freiem Chlor im Wasser, dies erhöht auch die Lebensdauer der Elektroden und vermindert die Kalkablagerungen im Pool.

a) Der pH-Wert muss zwischen 7.2 und 7.6 liegen.

b) Die Gesamtalkalinitätswerte sollten bei 60-120 ppm liegen.

3. Obwohl das Salzelektrolysesystem bei einem Salzgehalt von 3 - 12 g/l arbeiten kann, sollte der empfohlene Mindestsalzgehalt von 5 g/l durch Beigabe von 5 kg pro m³ Wasser eingehalten werden, wenn das Wasser vorher kein Salz enthalten hat. Verwenden Sie immer nur gewöhnliches Salz (Natriumchlorid), ohne Zusatzstoffe wie Jodverbindungen oder Pudermitel, das zum menschlichen Verbrauch geeignet. Direkt in den Pool oder in das Ausgleichsgefäß geben (weit von den Pool Abfluß).

4. Wenn Sie das Salz hinzugegeben haben und den Pool gleich nutzen wollen, muss eine Chlorbehandlung vorgenommen werden. Als Anfangsdosierung können 2 g./m³ Trichlorisocyanursäure hinzugefügt werden.

5. Bevor Sie den Arbeitszyklus in Gang setzen, ist es ratsam das Netzgerät auszuschalten und die Pumpe der Filteranlage während 24 Stunden lang laufen zu lassen, so dass das Salz sich vollständig auflösen kann. In dieser Zeit sollte die Wasserabsaugung nur durch die Senke erfolgen, denn dies beschleunigt die Salzauflösung.

6. Darauf die Salzelektrolyse-Anlage in Gang setzen und die Leistungsstufe so einstellen, dass die Werte des freien Chlores sich im empfohlenen Rahmen halten (0.5 - 1.5 ppm).

HINWEIS: Um den Stand des freien Chlors feststellen zu können ist ein Analysenkit zu verwenden.

7. Bei Schwimmbädern mit einer hohen Sonnenbestrahlung oder mit einer intensiven Nutzung, sollten die Stabilisierungsmittel-Werte (Isocyanursäure) bei 25-30 g./m³ gehalten werden. Auf keinen Fall ist ein Stand von 75 g./m³ zu überschreiten. Dies ist sehr hilfreich um die Vernichtung des freien Chlors im Wasser, anwesend durch die Einwirkung des Sonnenlichtes, zu vermeiden.

5. OPERATION:



5.1. **Gestopptes System**

Das System schaltet auf „WARTEZUSTAND“, wenn die „▼“ [3] Taste so oft gedrückt wird, bis die „0 %“ LED blinkt. In dieser Situation erfolgt keine Produktion in der Elektrolysezelle.

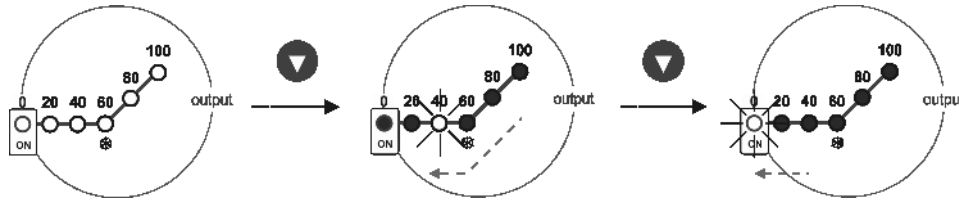


Abb. 18

5.2. **Auswahl Produktionsstufe**

Um die gewünschte Produktionsstufe zu wählen, nacheinander die Tasten „▼“ [3] / „▲“ [2] drücken, bis die Led für die gewünschte Produktionsstufe blinkt. Nach einigen Sekunden setzt das System seine Produktion auf die gewählte Stufe.

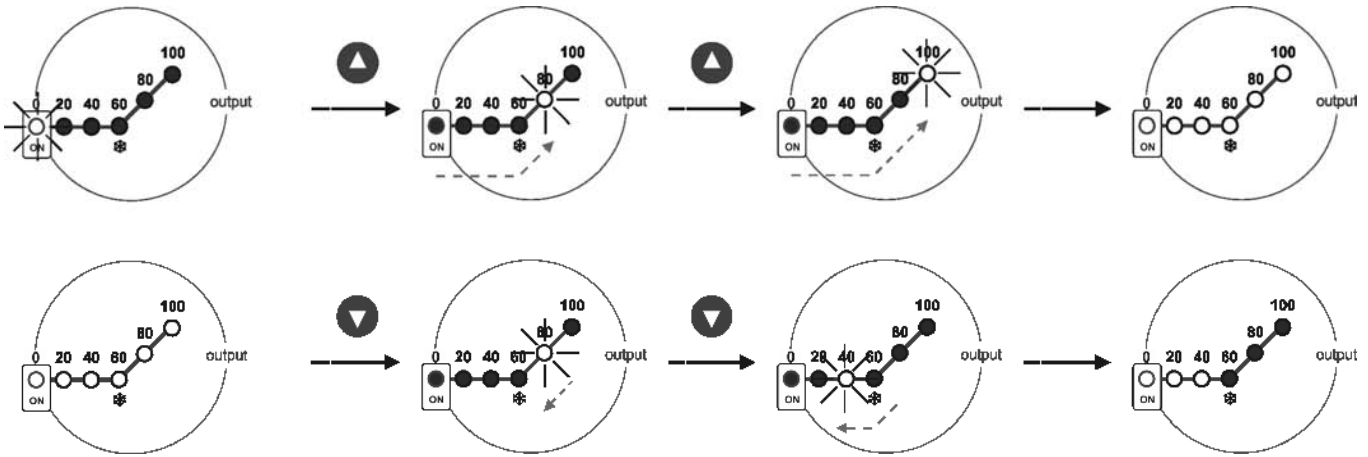


Abb. 19

Der programmierte Einstellpunkt der Produktion lässt sich jederzeit abrufen: Drücken Sie einmal die Taste „▼“ [3] oder die Taste „▲“ [2].

❄️ WINTER Modus: während der Zeiträume mit niedriger Wassertemperatur ein Produktionsniveau [1] zwischen 60% auserwählt. Diese Weise den Stromverbrauch und die Lebensdauer des Pakets von Elektroden optimiert sind.

5.3. **TEST-Modus**

Um in den TEST-MODUS zu gelangen, muss die Produktion anhand von mehrmaligem Betätigen der „▼“ [3]-Taste gesenkt werden (Abb. 20)

Nachdem das System stillsteht, diese Taste 10-Sekunden lang drücken. as System zeigt an, dass es sich im TEST-MODUS befindet, da alle LEDs eine Sekunde lang leuchten. Wenn sich das System im TEST-MODUS befindet, blinkt die Polaritätsanzeige-LED „cleaning“ [5].

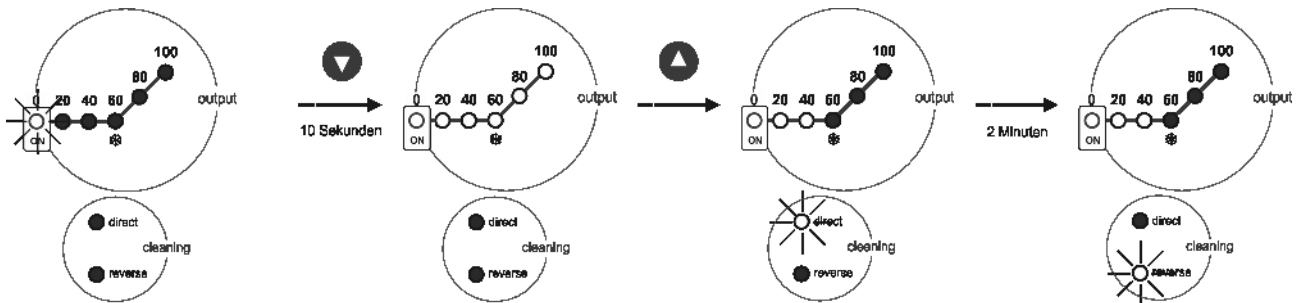


Abb. 20

Wenn das System in den TEST-MODUS übergeht, setzt es den Programmierschalter für Polaritätswechsel und die gewählte Produktionsstufe auf Null. In diesem Modus ist das System komplett betriebsfähig, während die Polaritätsumkehrungen der Elektroden **alle 2 Minuten** erfolgt. Um den TEST-MODUS zu beenden, muss die 230 V Netzversorgung ausgeschaltet werden.

5.4. Integrierter pH-regler (modelle MOD. XX-PH)

Die integrierte pH-regler ist ab Werk mit folgenden Programmierungsparametern kalibriert.

pH-SOLLWERT (SET) = „7.2“

WICHTIG: um eine richtige pH-Regulierung zu erreichen, vergewissern Sie sich, dass der Kalkgehalt im Wasser den empfohlenen Werten von 60-120 ppm CaCO₃ entspricht.

5.4.1. ANSCHLUSS DER PH/ORP SENSOREN

Die Sensor an den BNC-Anschluss, der sich an der rechten Seite des Netzgerätes befindet, anschliessen (Abb. 21).

5.4.2. ANSCHLUSS DER DOSIERUNGSPUMPE

Die Elektrolysesysteme (modelle MOD. XX-PH) besitzen am Boden einen Anschluss für eine Dosierungspumpe zur Steuerung des pH-Werts des Schwimmbadwassers. Die Dosierungspumpe kann mit dem zu diesem Zweck mit dem Gerät gelieferten CEE22 Stecker angeschlossen werden (Abb. 21).

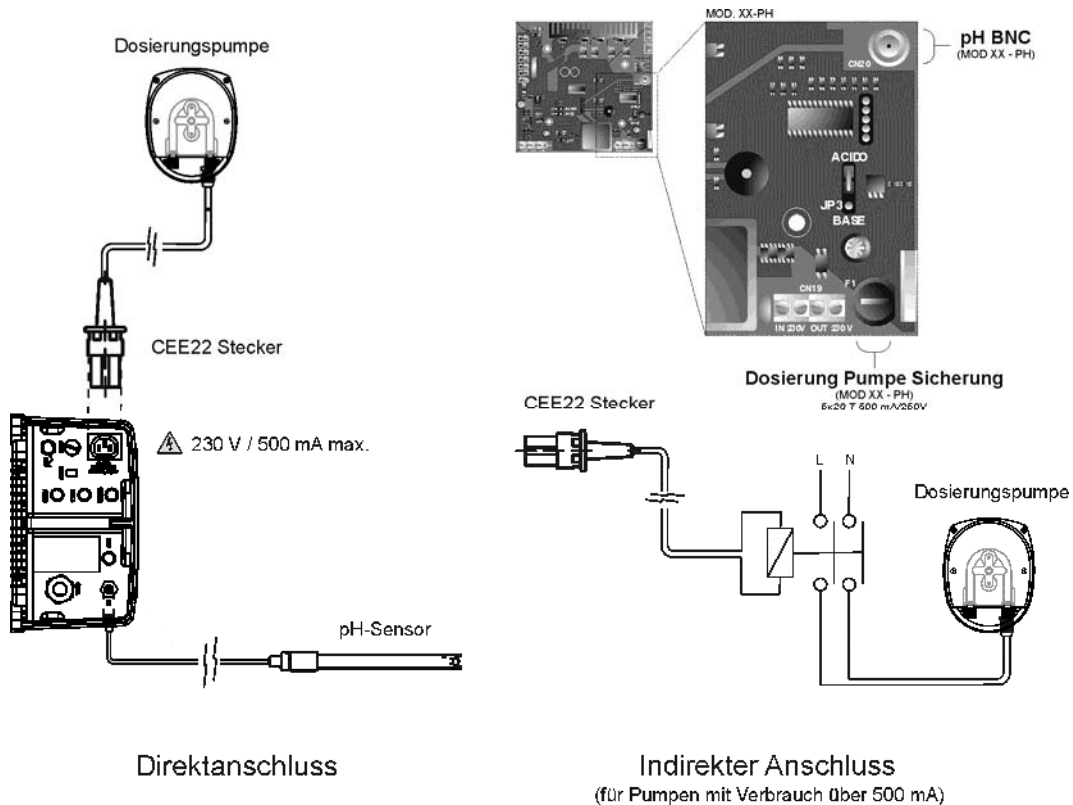


Abb. 21

5.4.3. PROGRAMMIERUNG DES GEWÜNSCHTEN PH-WERTS

„SET“ [7] Taste gedrückt halten bis auf der informationsbild [10] der pH-Wert blinkend angezeigt wird; er sollte zwischen 7,0 und 7,8 liegen. Sobald er gewählt ist, Taste loslassen.

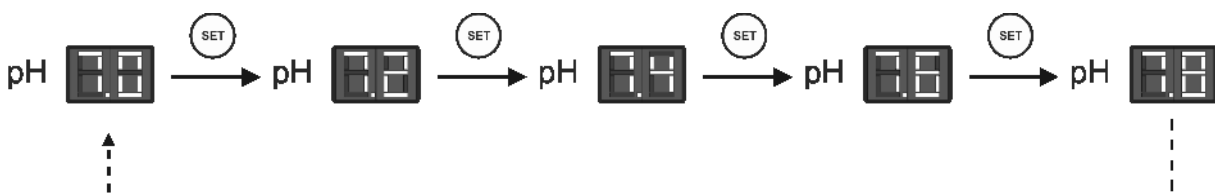


Abb. 22

Der programmierte pH-Einstellpunkt lässt sich jederzeit einsehen: Drücken Sie einmal die Taste „SET“ [7].

5.4.4. SICHERHEITSTOPP CONFIGURATION DER DOSIERUNGSPUMPE (PUMP-STOP-FUNKTION)

Der integrierte pH-Controller ein Sicherheitssystem verfügt, das den folgenden Situationen kann vermieden werden:

- Schäden durch Trockenlauf der Pumpe (abgereichertes pH-minus Produkt) verursacht.
- Überdosierung von pH-Minus-Produkt (Beschädigte oder gealterte Sensor).
- PH Regulierung Probleme aufgrund der hohen Alkalität im Wasser (neu gefüllt Pool, hoher Carbonat-Konzentration).

Wenn die Pumpe-STOP-Funktion aktiviert ist (Werkseinstellung), das System der Dosierpumpe nach einer programmierten Zeit ohne Erreichen der pH-Sollwert stoppt.

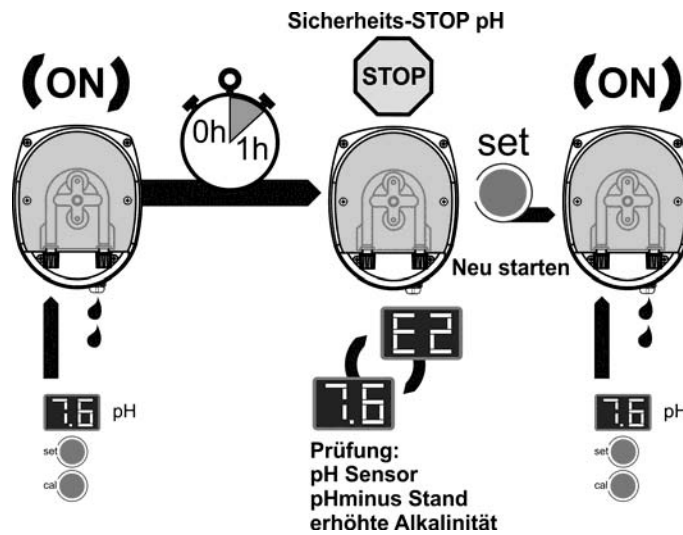


Abb. 22b

Die PUMP-STOP FUNKTION ist werkseitig auf 60 Minuten eingestellt. Um diesen Wert zu ändern, befolgen Sie die folgenden Verfahren.

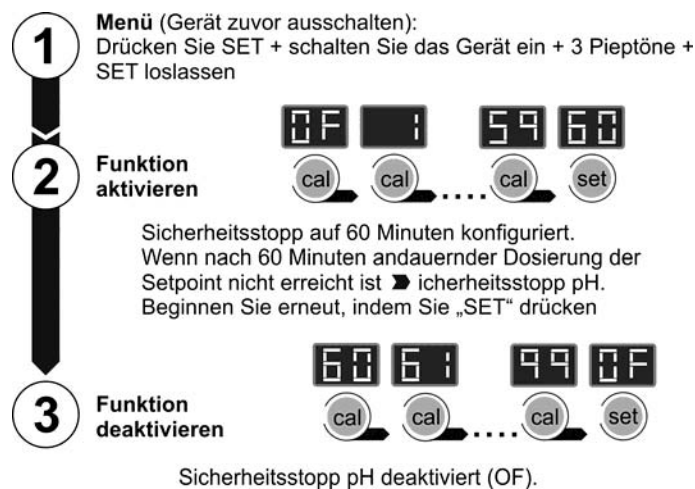


Abb. 22c

5.5. Alarmmeldungen

- **HOHER SALZWERT**

Wurde zu viel Salz zugegeben, senkt die Versorgungsquelle automatisch die Produktion im Vergleich zum automatisch gewählten Wert. Die LED „salt“ [4] leuchtet weiter. In diesem Fall muss ein Teil des Schwimmbads (zum Beispiel 10 %) geleert und frisches Wasser hinzugefügt werden, um die Salzkonzentration zu senken. Um den Salzgehalt genau zu festzustellen, wird der Einsatz eines tragbaren Salzgehalt- /Temperaturmessgeräts empfohlen.

- **NIEDRIGER SALZWERT**

Sollte der Salzgehalt des Schwimmbadwassers unter dem empfohlenen Wert liegen, kann die Versorgungsquelle den gewählten Ausgangswert nicht erreichen. Die LED „salt“ [4] blinkt. In diesem Fall muss der Salzgehalt des Wassers festgestellt und die notwendige Salzmenge zugesetzt werden. Das für die Salzelektrolyse geeignete Speisesalz (NaCl) darf keine Zusatzstoffe (gegen Verklumpung, Jodid) enthalten und muss für den menschlichen Verzehr geeignet sein. Möglicherweise zeigt das System niedrige Salzwerte an, wenn die Temperatur unter 20 °C liegt oder die Ende der Lebensdauer der Elektroden erreicht wurde. Um den Salzgehalt genau zu festzustellen, wird der Einsatz eines tragbaren Salzgehalt- /Temperaturmessgeräts empfohlen.

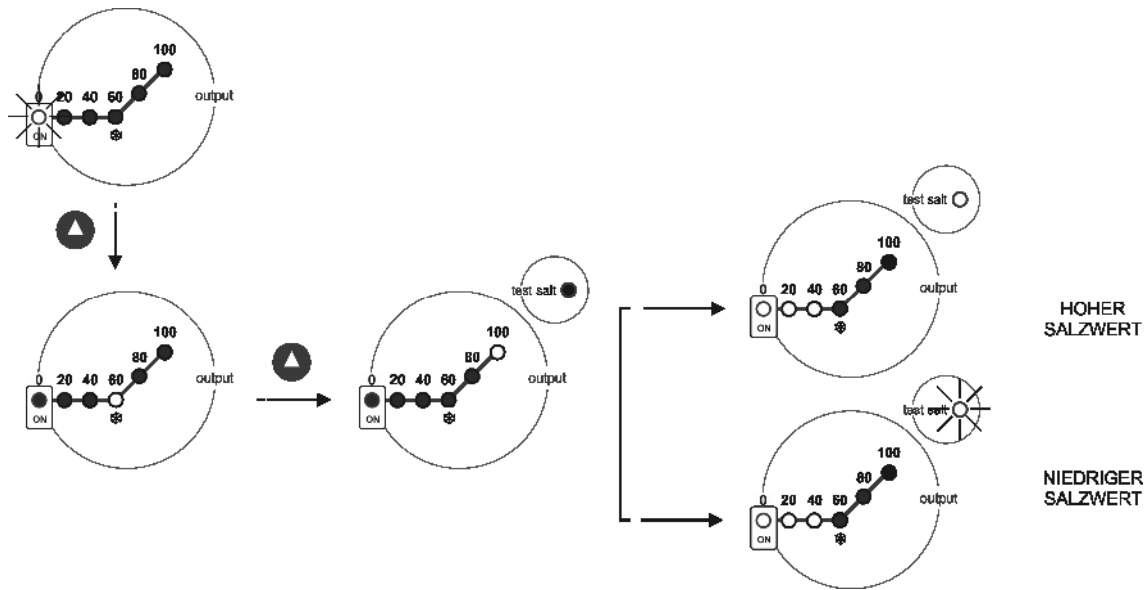
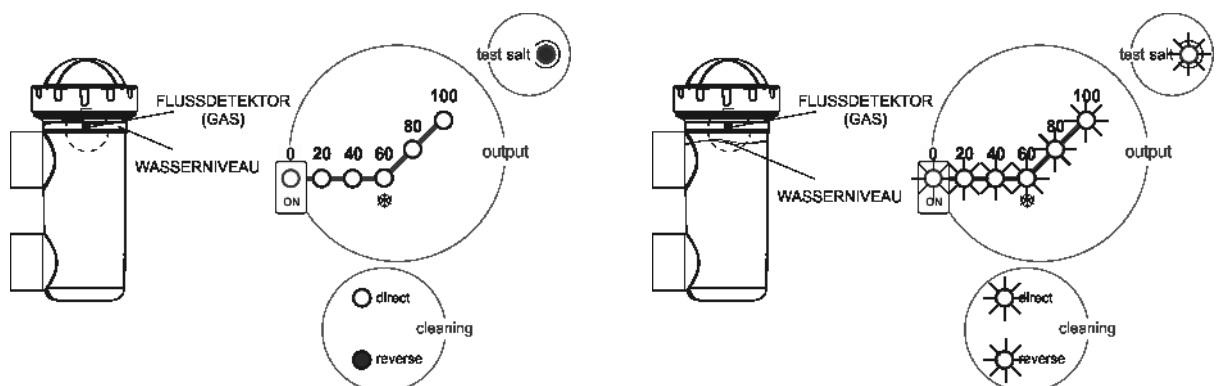


Abb. 23

- **WASSERSTAND IN DER ZELLE / FLUSSDETEKTOR (GAS)**

Sollte sich eine Luft- oder Gasblase im oberen Teil der Elektrolysezelle bilden und der FLUSSDETEKTOR nicht eingetaucht sein, schaltet das System automatisch die Produktion ab. Alle LEDs des Steuertafel blinkt. Sobald der Wasserstrom durch die Zelle wieder hergestellt oder die Luftblase entwichen ist, startet das System automatisch neu.



1. Gasdetektor eingetaucht. System in Betrieb.

2. Gas entdeckt. System gestoppt.

Abb. 24

- **EXTERNE STEUERUNG [JP2] AKTIVIERT**

Wenn das externe Steuergerät einen Wert feststellt, der über dem gewählten Einstellungspunkt liegt, schaltet es die Produktion automatisch ab und die LED „0%“ an der Produktionsskala [1] beginnt zu blinken.

- **PH-WERT AUSSERHALB DER BANDBREITE (nur in Modelle MOD. XX-PH)**

Die eingebaute pH-Kontrollvorrichtung besitzt zwei ALARM-Leds, die immer dann aufleuchten, wenn ein anomaler pH-Wert unter 6.5 „low“ [8] oder über 8.5 „high“ [9]. Entdeckt das Regelgerät einen aktiven PH-Alarm, öffnet es den Kontrollausgang der Dosierungspumpe (pH).

6. WARTUNG:

6.1. Wartung der Elektrolysezelle

Die Elektrolysezelle muss in optimalen Zustand gehalten werden um eine lange Betriebsdauer zu garantieren. Die Salzelektrolyse-Anlage verfügt über ein Selbstreinigungssystem der Elektroden. So können Kalkablagerungen vermieden werden und die Elektroden müssen auch nicht gereinigt werden. Wenn es aber doch notwendig sein sollte, das Innere der Zelle zu reinigen, müssen folgende Schritte beachtet werden:

1. Stromversorgung 230 Vac der Anlage ausschalten.
2. Verschlusschraube am Ende, an dem sich die Elektroden befinden, lösen und Elektrodenpaket herausnehmen.
3. Eine in Salzsäure aufgelöste Lösung (ein Anteil Säure und 10 Anteil Wasser) verwenden und das Elektrodenpaket während 10 Minuten lang in diese Lösung tauchen.
4. DIE ZELLE UND DIE ELEKTRODEN NIEMALS AUFKRATZEN ODER BÜRSTEN.

Die Elektroden einer Salzelektrolyse-Anlage bestehen aus Titanplättchen mit einer Beschichtung aus Edelmetalloxiden. Der Elektrolyseprozess, der auf der Oberfläche der Elektroden stattfindet, bewirkt auf die Dauer einen Verschleiß, daher sollte man folgende Hinweise beachten, wenn man die Lebensdauer der Elektroden aufs möglichste verlängern will:

1. Obwohl die Salzelektrolyse-Anlage ein SELBSTREINIGENDES System ist, bei einem langandauernden Betrieb mit pH-Werten über 7,6 bei sehr hartem Wasser können Kalkablagerungen auf den Elektroden vorkommen. Wenn diese nicht entfernt werden, beschädigen sie die Beschichtung der Elektroden auf die Dauer und verkürzen somit die Lebensdauer.
2. Das Elektrodenpaket sollte nicht zu oft gereinigt werden, nach den oben angegebenen Anleitungen.
3. Wenn die Anlage während langer Zeit mit einem niedrigen Salzgehalt (3 g/l) in Betrieb ist, kann dies zu einer frühzeitigen Abnutzung der Elektroden führen.
4. Wenn häufig Algicide mit hohen Kupfergehalten verwendet werden, kann es sein, dass sich das Kupfer auf den Elektroden ablagert und so auf die Dauer deren Beschichtung schädigt. Das beste Algicid ist das Chlor.

6.2. Kalibrierung der pH-Sensor (nur in MOD. XX-PH Geräten)

Die Nachkalibrierungsfrequenz der Anlage muss für jeden Gebrauch neu bestimmt werden. Wir empfehlen die Kalibrierung wenigstens einmal im Monat während der Badeperiode des Schwimmbades durchzuführen. Der integrierte pH-Regler verfügt über zwei Kalibriermodi der pH-Sensor: „FAST“ (schnell) und „STANDARD“.

6.2.1. „FAST“-Modus

Mit dem „FAST“-Modus können Sie die pH-Sensor routinemäßig bei kleinen Abweichungen kalibrieren, **ohne dass dabei die Sensor aus der Anlage entfernt werden muss oder dazu Standardlösungen benutzt werden müssen.**

VORGEHEN:

1. Vergewissern Sie sich, dass die Stelle wo die Sensor eingeführt ist unter Wasser steht und das Wasser durch die Anlage fließt.
2. Mit einem pH-Messkit den gegenwärtigen pH-Wert im Schwimmbadwasser bestimmen.
3. „CAL“ [6] Taste ca. 5 sek. lang drücken bis das Gerät einen Pfeifton abgibt und Taste loslassen. Das pH-Anzeigebild [10], zeigt blinkend „7.0“.
4. Die „SET“-Taste [7] so lange gedrückt halten bis der vorhin mit dem Kit gemessene pH-Wert des Wassers erscheint. Danach die „CAL“-Taste [6] betätigen. Wenn kein Fehler aufgetreten ist, so ist die Anlage nun kalibriert.

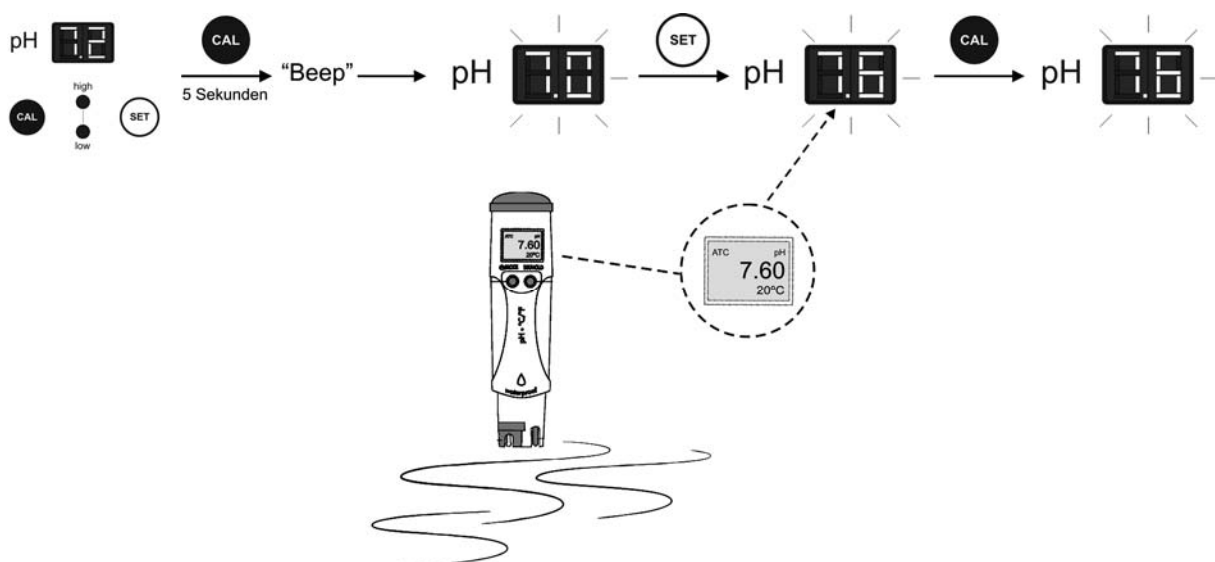


Abb. 25

6.2.2. „STANDARD“-Modus

Mit dem „STANDARD“-Modus kann die Sensor genau kalibriert werden, wobei man zwei Standardlösungen mit einem pH-Wert von 7,0 und 4,0 verwendet. Dazu muss aber die **Sensor aus der Anlage entfernt werden**.

VORGEHEN:

WICHTIG: Bevor die Bypass-Ventile geschlossen werden, muss das System von der Steuertafel aus gestoppt werden (siehe Abschnitt 5.1).

1. Die Sensor aus dem Sensornhalter nehmen und sie mit reichlich Wasser spülen.

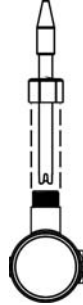


Abb. 26

2. „CAL“ [6] Taste drücken, bis das Gerät einen Pfeifton abgibt. Ohne die Taste loszulassen, die „SET“ [7] Taste einige Sekunden lang drücken, bis auch das pH-Anzeigebild [10] blinkend „7.0“ anzeigt.
3. Sensor leicht schütteln, damit evtl. anhaftende Wassertropfen abfallen. In die pH-Musterlösung eintauchen 7.0 (grüne Farbe). Ein paar Sekunden lang leicht schütteln und die „CAL“ [6]. Taste drücken. Nachdem sich der Wert stabilisiert hat, blinkt auf dem Bildschirm [10] die Anzeige „4.0“.

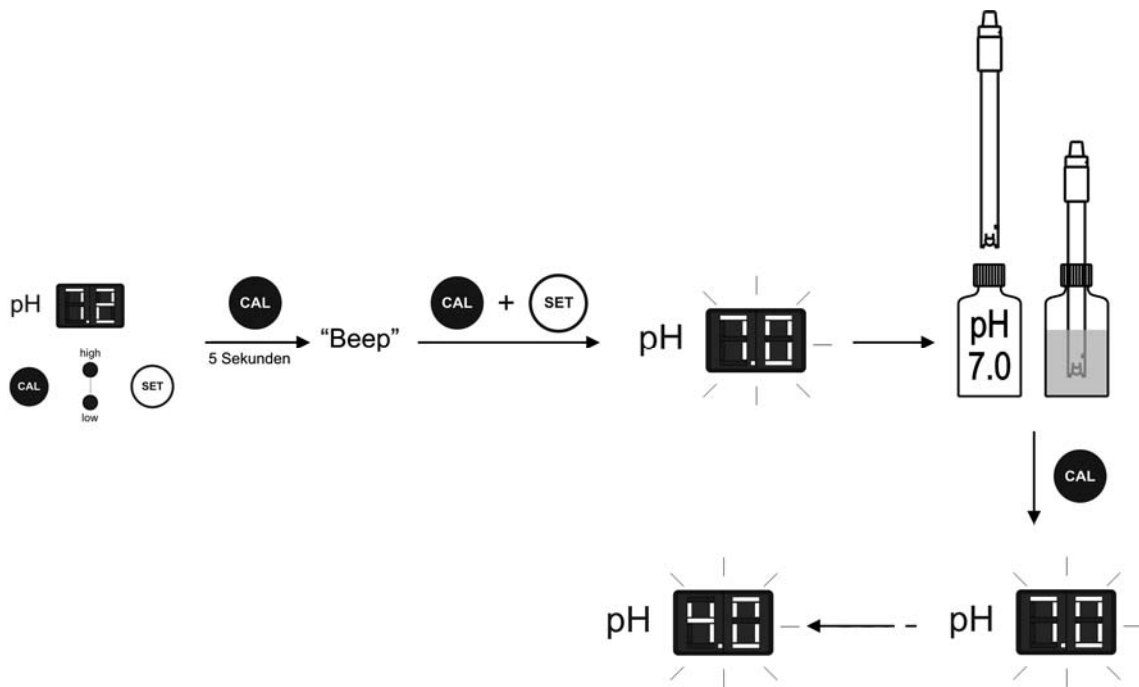


Abb. 27

4. Die Sensor aus der Lösung nehmen und mit reichlich Wasser spülen.
5. Die Sensor leicht schütteln damit das Wasser gut abtropft und sie in die Standardlösung mit pH = 4,0 eintauchen (rote Farbe). Während einigen Sekunden lang leicht schütteln und die Taste „CAL“ [6] betätigen. Wenn die Ablesung sich stabilisiert hat, stellt sich der Regler automatisch von Kalibriermodus auf den Normalmodus um.

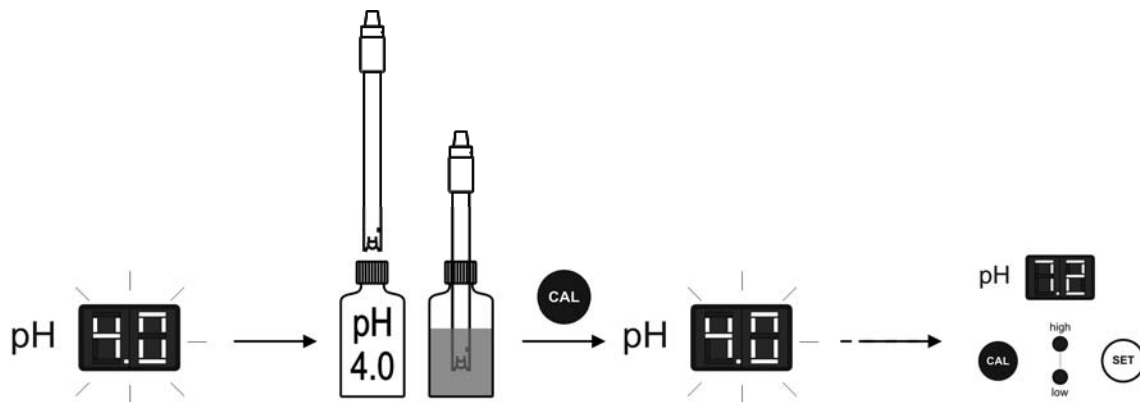


Abb. 28

FEHLERMELDUNGEN:

pH Wenn der Kalibrierungsprozess aus irgendwelchen Gründen unterbrocht wird, so stellt sich der Regler automatisch vom Kalibriermodus auf den Normalmodus um, wenn der Benutzer nicht nach wenigen Sekunden eingreift. In diesem Fall zeigt das obere Display [10] während einigen Sekunden „E1“ an.

pH Wenn der während der Kalibrierung gemessene pH-Wert sehr von dem erwarteten Wert abweicht (z.B. beschädigte Sensor, usw.), so wird im oberem Display [10] „E2“ angezeigt, ohne dass eine Kalibrierung der Sensor möglich ist.

pH Wenn der pH-Wert während dem Kalibrierungsprozess schwankend ist, so wird der Code „E3“ angezeigt. Auch hier kann die Sensor nicht kalibriert werden.

6.3. Wartung der Ph-Sensor

1. Die Membrane der Sensor muss immer feucht bleibe.
2. Wenn Sie die Sensor über längere Zeit nicht benutzen werden, sollten Sie sie in einer Konservierungslösung mit einem pH-Wert = 4,0 aufbewahren
3. Zur Reinigung der Sensor bitte keine Schleifmittel verwenden, die die Messfläche beschädigen könnten.
4. Die pH-Sensor ist ein verbrauchbares Teil und wird über eine Zeitabschnitt ersetzt werden müssen.

7. STÖRUNGEN / BEHEBUNG: _____

Bei jedem Eingriff zur Behebung einer Störung muss das Gerät vom Stromnetz getrennt werden. Zur Behebung jeglicher Störung, die in der folgenden Auflistung nicht enthalten ist, sollte ein Servicetechniker inbezogen werden.

STÖRUNG	BEHEBUNG
<p>Der Produktionsanzeiger zeigt in allen gewählten Produktionsstufen immer „0“ an</p>	<p>Elektrodenzustand überprüfen. Elektrische Anschlüsse zwischen dem Netzgerät und der Elektrolysezelle überprüfen. Den Salzgrad prüfen.</p>
<p>Das Netzgerät schaltet sich nicht ein</p>	<p>Überprüfen, ob die Anlage genügend Stromzuführung hat (230 V / 50-60 Hz) über den Steuerkasten der Filteranlage. Sicherung am unteren Teil des Netzgerätes überprüfen.</p>
<p>Der Chlorspiegel im Wasser liegt zu tief</p>	<p>Überprüfen, ob das System im Rücklauf des Schwimmbads Chlor erzeugt. Überprüfen, ob die chemischen Parameter (pH, gebundenes Chlor, Isocyanursäure) korrekt sind. Filteranlage länger laufen lassen. Stabilisierungsmittel dazugeben (Isocyanursäure o) bis ein Gehalt von 25-30 g./m³ erreicht wird.</p>
<p>Die Anlage zeigt immer einen erhöhten pH-Wert an oder die Ablesung ist unregelmässig</p>	<p>Der Anschluss vom Kabel zur Sensor ist beschädigt. Kontakte reinigen oder Kabel ersetzen. Es besteht eine Luftblase bei der Membrane der Sensor. Sensor senkrecht stellen mit der Spitze nach unten. Leicht schütteln bis die Luftblase sich langsam nach oben bewegt. pH-Sensor ist beschädigt. Das Anschlusskabel ist zu lang oder ist zu nahe an den Störquellen (Motoren, usw.). Durch eine neue ersetzen. Anlage näher zur Sensor stellen.</p>
<p>PH Sensorenkalibrierung nicht möglich</p>	<p>Standardlösung in schlechtem Zustand. Membrane der Sensor ist verstopft. Überprüfen ob die Membrane beschädigt ist. Die Sensor mit im Wasser verdünnter Säure säubern, indem man sie leicht schüttelt. Sensor beschädigt. Durch eine neue ersetzen.</p>
<p>Die pH-Sensor reagiert sehr langsam</p>	<p>Die Sensor ist elektrostatisch geladen. Während der Kalibrierung dürfen die Sensoren nicht mit Papier oder Stofftüchern getrocknet werden. Sie ausschließlich mit Wasser reinigen und leicht schütteln. Nicht genügend Wassererneuerung analysiert. Überprüfen ob die Messstelle der Sensor über ein ausreichendes Wasserniveau verfügt und dass keine Blasen vorhanden sind.</p>

8. TECHNISCHE ANGABEN:

TECHNISCHE DATEN:

Standard-Gebrauchsspannung

230V AC - 50/60 Hz.

Kabel: 3 x 1.0 mm², läng. 2 m.

MOD. 7	0.2 A
MOD. 12	0.4 A
MOD. 21	0.4 A
MOD. 30	0.8 A
MOD. 40	0.9 A

Sicherung

MOD. 7	1 A T (5x20 mm)
MOD. 12	2 A T (5x20 mm)
MOD. 21	2 A T (5x20 mm)
MOD. 30	3.15 A T (5x20 mm)
MOD. 40	4 A T (5x20 mm)

Ausgangsspannung

Kabel 3 x 2.5 mm², long. 2 m.

MOD. 7	10.5 VDC / 3.5 A
MOD. 12	10.5 VDC / 6.0 A
MOD. 21	23.0 VDC / 3.5 A
MOD. 30	20.0 VDC / 6.0 A
MOD. 40	24.0 VDC / 6.5 A

Erzeugung

MOD. 7	6 - 7 g./h.
MOD. 12	10 - 12 g./h.
MOD. 21	17 - 21 g./h.
MOD. 30	24 - 30 g./h.
MOD. 40	31 - 40 g./h.

Kleinste Durchflussmenge

MOD. 7	1 m ³ /h.
MOD. 12	2 m ³ /h.
MOD. 21	3 m ³ /h.
MOD. 30	5 m ³ /h.
MOD. 40	6 m ³ /h.

Elektrodenanzahl

MOD. 7	3
MOD. 12	5
MOD. 21	7
MOD. 30	11
MOD. 40	13

Nettogewicht (einschließlich Verpackung)

MOD. 7	9 Kg.
MOD. 12	11 Kg.
MOD. 21	13 Kg.
MOD. 30	15 Kg.
MOD. 40	17 Kg.

ALLGEMEINE KENNZEICHEN:

Steuerungssystem

- Mikroprozessor.
- Membrantastatur mit Steuertasten und Betriebsanzeige-LEDs.
- Steuerein-/ausgang: 2 Eingänge vom Typ spannungsfreier Kontakt, für den Zustand der automatischen Abdeckung und externer Controller (ORP, RESTCHLOR, usw.)
- Ausgang zur Zelle: Produktionskontrolle (5 diskrete Stufen)).
- Salzgehalt/Temp. rank: 3 - 12 g/l. / +15 - 40°C.
- Integrierter pH-Regler.
(nur in modelle MOD. XX-PH).

Selbstreinigung

Automatisch, durch Polumkehrung

Arbeitstemperatur

Von 0°C bis + 50°C

Kühlung, über natürliche Konvektion

Material

- Netzgerät
ABS
- Electrolysezelle
Durchsichtig Methacrylat

pH-Sensor (modelle MOD. XX-PH)

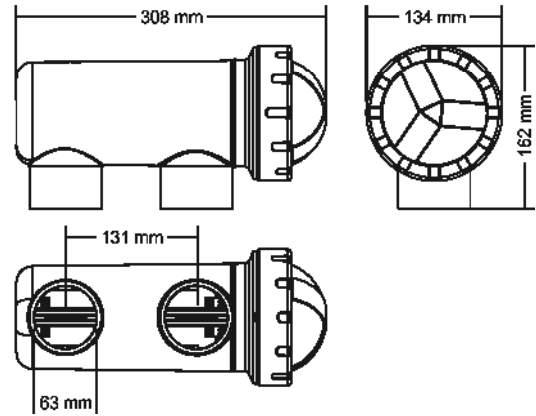
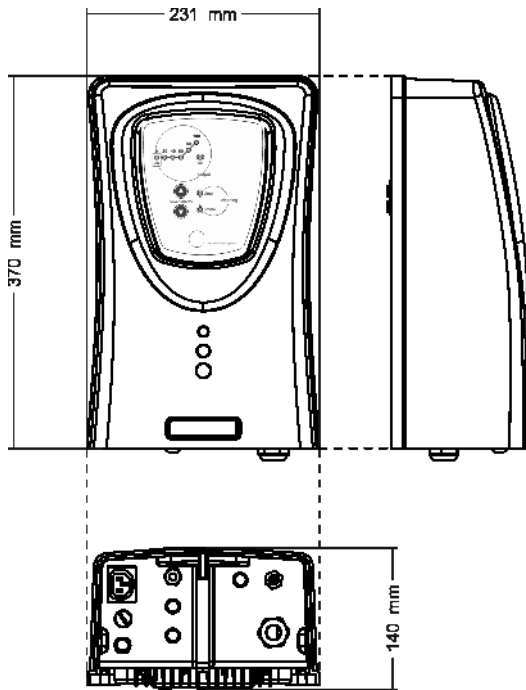
Korps: plastik (blaues schutz)

Skala 0 - 12 pH

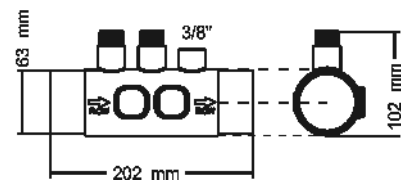
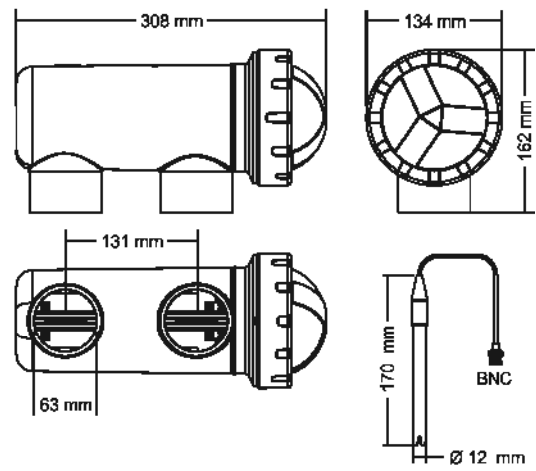
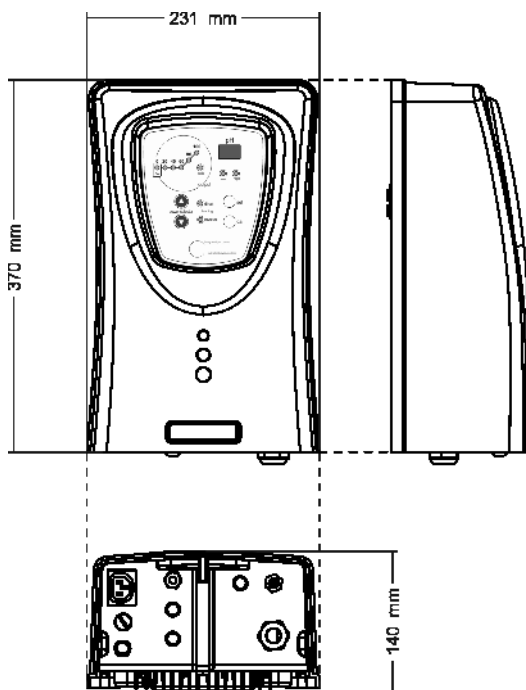
Festes Elektrolyt

Abmessungen

MOD. XX



MOD. XX-PH



9. GARANTIEBEDINGUNGEN:

9.1. ALLGEMEINE VORGABEN

- 9.1.1. Gemäß dieser Vorgaben garantiert der Verkäufer, dass das zu dieser Garantie gehörende Produkt zum Zeitpunkt der Übergabe keinen Konformitätsmangel aufweist.
- 9.1.2. Der Garantiezeitraum beläuft sich auf zwei Jahre.
- 9.1.3. Die Gesamtgarantiedauer wird vom Zeitpunkt der Übergabe an den Käufer berechnet. Die Elektrode ist mit einer unverlängerbaren Garantie von 2 JAHRE (oder 3.000 Stunden) gedeckt. Die pH-Sensor sind mit einer unverlängerbaren Garantie von 6 MONATEN gedeckt.
- 9.1.4. Sollte während des Garantiezeitraums ein Konformitätsmangel am Produkt eintreten und der Käufer diesen dem Verkäufer mitteilen, muss der Verkäufer das Produkt auf eigene Kosten an dem von ihm erachteten Ort reparieren oder ersetzen - außer wenn dies unmöglich oder unverhältnismäßig wäre.
- 9.1.5. Kann das Produkt nicht repariert oder ersetzt werden, kann der Käufer eine anteilmäßige Preissenkung anfordern. Ist der Konformitätsfehler jedoch relevant genug, kann er die Auflösung des Kaufvertrags fordern.
- 9.1.6. Die laut dieser Garantie ersetzten oder reparierten Teile verlängern die Garantiefrist des Originalprodukts nicht, haben aber ihre eigene Garantie.
- 9.1.7. Für die Wirksamkeit dieser Garantie muss der Käufer das Kauf- und Lieferdatum des Produkts nachweisen.
- 9.1.8. Sind seit Produktübergabe an den Käufer mehr als sechs Monate vergangen und zeigt dieser einen Konformitätsmangel an, muss der Käufer den Ursprung und das Vorhandensein des angeführten Fehlers nachweisen.
- 9.1.9. Das vorliegende Garantiezertifikat beschränkt oder bedingt die Ansprüche, die den Kunden aufgrund zwingender nationaler Vorschriften zustehen, nicht.

9.2. SENSORBEDINGUNGEN

- 9.2.1. Für die Wirksamkeit dieser Garantie muss der Käufer die Herstelleranweisungen, die in den Begleitunterlagen des Produkts enthalten und laut Produktserie und -modelle anwendbar sind, genau einhalten.
- 9.2.2. Wird ein Zeitplan für Ersatz, Wartung oder Reinigung bestimmter Teile oder Bauteile des Produkts spezifiziert, ist die Garantie nur gültig, wenn dieser Zeitplan ordnungsgemäß eingehalten wurde.

9.3. EINSCHRÄNKUNGEN

- 9.3.1. Die vorliegende Garantie ist nur bei Verkäufen an Verbraucher anwendbar, wenn unter „Verbraucher“ die Person gemeint ist, die das Produkt nicht für berufliche Zwecke erworben hat.
- 9.3.2. Für den normalen Verschleiß durch den Produkteinsatz, wie auch für Teile, Bauteile u. /o. Verbrauchsmaterial (ausgenommen: die Elektrode) wird keine Garantie erteilt.
- 9.3.3. Die Garantie deckt keine Fälle, bei denen das Produkt: (i) fehlerhaft eingesetzt; (ii) von nicht zulässigen Personen untersucht, repariert, gewartet oder manipuliert; (iii) mit Nichtoriginalteilen repariert oder gewartet oder (iv) fehlerhaft eingebaut oder in Betrieb genommen wurde.
- 9.3.4. Ist der Konformitätsmangel des Produkts eine Folge fehlerhaften Einbaus oder Inbetriebnahme, findet die vorliegende Garantie nur Anwendung, wenn diese Anlage oder Inbetriebnahme im Kaufvertrag des Produkts enthalten ist oder vom Verkäufer oder unter dessen Zuständigkeit durchgeführt wurde.
- 9.3.5. Bei Schäden oder Produktfehlern, die durch eine der folgenden Ursachen bedingt sind:
 - Schlechte Programmierung des Systems und/oder unzulängliche Kalibrierung der pH/ORP Sensoren durch den Benutzer.
 - Betrieb bei Salzgehalten unter 3 g/l Natriumchlorid und/oder Temperaturen unter 15°C oder über 40°C.
 - Betrieb bei über 7,6 pH.
 - Verwendung ausdrücklich unzulässiger Chemikalien.
 - Korrosiven Umgebungen u. / o. Temperaturen unter 0°C oder über 50°C.

IMPORTANTE: O manual de instruções que você tem nas mãos contém informação fundamental sobre as medidas de segurança a tomar ao realizar a instalação e a colocação em funcionamento. Por isso, é imprescindível que tanto o instalador como o utilizador leiam as instruções antes de realizar a montagem e a colocação em funcionamento. Guarde este manual para futuras consultas sobre o funcionamento deste aparelho.



Eliminação de resíduos de sistemas domésticos eléctricos e electrónicos na União Europeia.

Todo o produto marcado com este símbolo indica que não pode ser eliminado juntamente com o resto dos resíduos domésticos quando termina a sua vida útil. É da responsabilidade do utilizador eliminar este tipo de resíduo, depositando num local adequado para a reciclagem de resíduos eléctricos e electrónicos. O tratamento e reciclagem adequados destes resíduos contribui de forma essencial para a preservação do Meio Ambiente e saúde dos utentes. Para obter uma informação mais precisa sobre os pontos de recolha deste tipo de resíduos, deve contactar com as autoridades locais.

Nas instruções deste manual descreve-se o funcionamento e manutenção dos sistemas de Electrólise Salina MOD. XX e MOD. XX-PH. Para conseguir um óptimo rendimento dos Sistemas de Electrólise Salina observe as instruções indicadas abaixo:

1. VERIFIQUE O CONTEÚDO DA EMBALAGEM: _____

Dentro da caixa encontrará os seguintes acessórios:

- Fonte de alimentação.
- Célula de electrólise.
- Sensor de pH (só em modelos mod. XX-PH).
- Porta-sondas (opcional em modelos mod. XX-PH).
- Soluções de calibragem pH 7.0 (verde) / pH 4.0 (vermelho) (só em modelos MOD. XX-PH).
- Conector CEE22 M para bomba de dosagem (só em modelos MOD. XX-PH).
- Manual de Operação.

2. CARACTERÍSTICAS GERAIS: _____

Uma vez instalado o seu sistema de Electrólise Salina é necessário dissolver uma quantidade de sal na água. Esta água salina circula através da célula de electrólise situada no depurador. O sistema de Electrólise Salina compõe-se por dois elementos: uma célula de electrólise e uma fonte de alimentação. A célula de electrólise contém um número determinado de pontos de titânio (eléctrodos), de modo que, ao fazer circular uma corrente eléctrica e enquanto a solução salina passa através dos mesmos, produz-se cloro livre.

A manutenção de certo nível de cloro na água da piscina garantirá a qualidade sanitária. Um sistema de Electrólise Salina produzirá cloro quando o sistema de recirculação da piscina (bomba e filtro) estão operativos.

A fonte de alimentação conta com vários dispositivos de segurança, os quais se activam em caso de funcionamento anómalo do sistema, bem como com um micro-controlador de controlo.

Os sistemas de Electrólise Salina contam com de um sistema automático de limpeza dos eléctrodos que evita a formação de incrustações nos mesmos. Além disso os sistemas da gama MOD. XX-PH incluem um controlador de pH integrado.

3. ADVERTÊNCIAS DE SEGURANÇA E RECOMENDAÇÕES: _____

- O sistema deve ser instalado e manipulado pelo pessoal qualificado.
- É necessário respeitar as normas em vigor eléctricas e para a prevenção de acidentes.
- O fabricante não se responsabiliza em nenhum caso pela montagem, instalação ou colocação em funcionamento, nem por qualquer manipulação ou instalação de componentes que não tenham sido efectuados nas suas instalações.
- Os sistemas de Electrólise Salina funcionam a 230 Vac, 50/60 Hz. Não tente alterar o sistema para operar com outra voltagem.
- Certifique-se de que as conexões estão firmes para evitar falsos contactos, com o conseqüente sobreaquecimento dos mesmos.
- Antes de proceder à instalação ou a substituição de um componente, desligar o aparelho da rede eléctrica, e use exclusivamente peças fornecidas pelo fabricante. Este equipamento produz calor, portanto, deve ser instalado num lugar bem ventilado e com as aberturas de ventilação livres de qualquer elemento que as possa obstruir. Não deve ser instalado perto de materiais inflamáveis.
- Os sistemas de Electrólise Salina dispõem de um grau de protecção IP24. Não devem ser instalados em nenhum caso em lugares expostos a inundações.

FONTE DE ALIMENTAÇÃO:

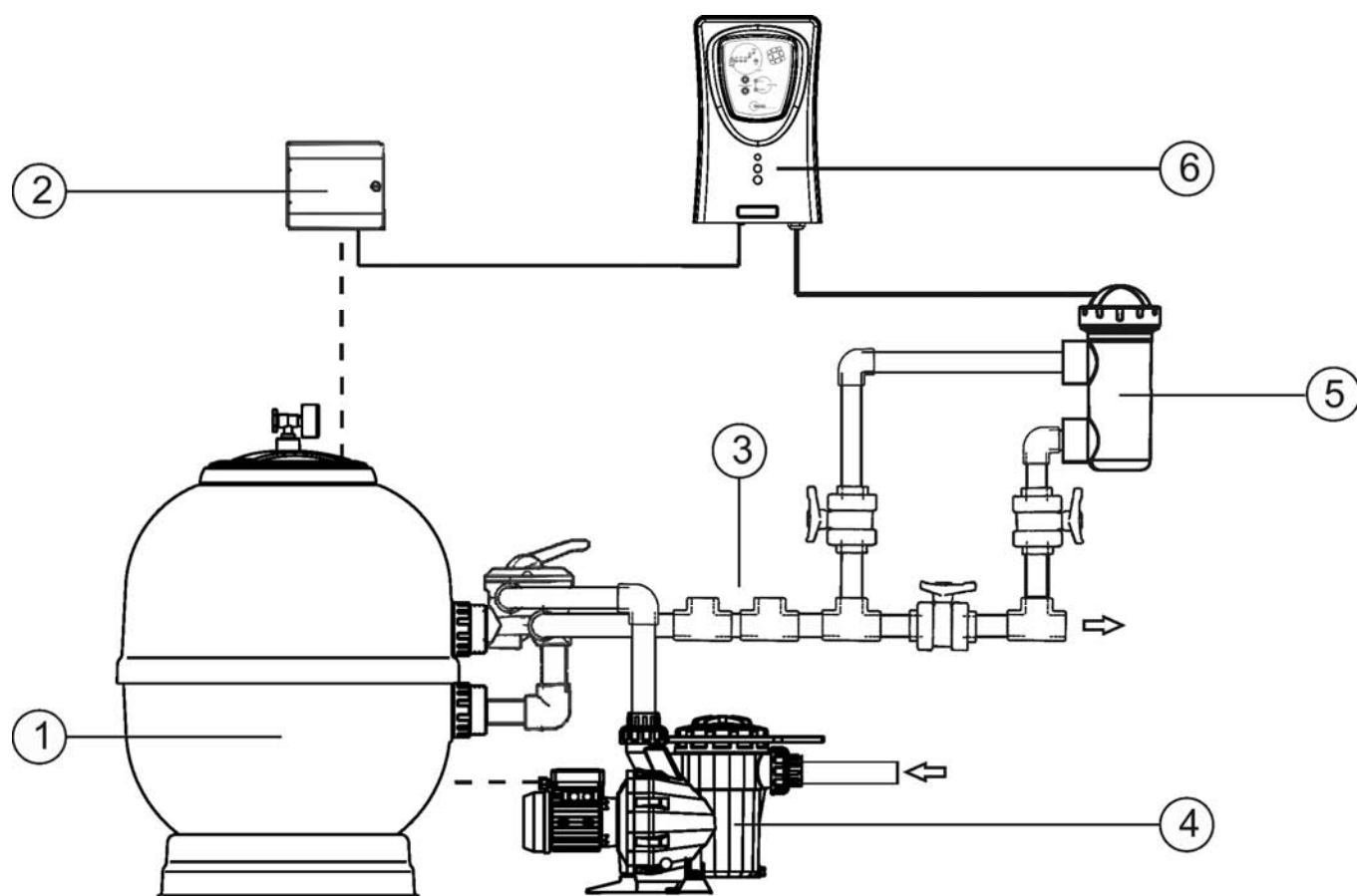
DESCRIÇÃO	MODELO				
	MOD.7 MOD.7 PH	MOD.12 MOD.12 PH	MOD.21 MOD.21 PH	MOD.30 MOD.30 PH	MOD.40 MOD.40 PH
Tensão de serviço	230 V AC, 50 Hz./60 Hz.				
Saída (dc)	3.5 A x 2	6 A x 2	3.5 A x 6	6 A x 5	6.5 A x 6
Produção (g/h)	6 - 7	10 - 12	17 - 21	24 - 30	31 - 40
Capacidade piscina (m ³) Temperado: 16 - 24°C Quente: +25°C	40 25	60 50	100 80	160 120	200 160
Detector de fluxo	Detector de gás				
Margem Salinidade / Temperatura	3 - 12 g./l. / +15 - 40°C				
Eléctrodos	Titânio com revestimento AUTO-LIMPANTE Tempo de vida previsto: 8.000-10.000 horas de funcionamento (de acordo com a qualidade de água) ⁽²⁾				
Controlo de produção	0 - 100 % (5 níveis de produção)				
Inversão de polaridade	Programável 2 ⁽¹⁾ / 3 horas (jumper na placa de controlo) + modo teste				
Protecção nível de sal	Protecção automática de produção				

⁽¹⁾ Configuração de fábrica⁽²⁾ Sob condições ideais: salinidade (6 g/l), pH (7,2), dureza da água (120 mg/l) e fluxo mínimo.**CÉLULA DE ELECTRÓLISE**

DESCRIÇÃO	MODELO				
	MOD.7 MOD.7 PH	MOD.12 MOD.12 PH	MOD.21 MOD.21 PH	MOD.30 MOD.30 PH	MOD.40 MOD.40 PH
Fluxo mínimo	1 m ³ /h	2 m ³ /h	3 m ³ /h	5 m ³ /h	6 m ³ /h
Número de eléctrodos	3	5	7	11	13
Material	Polímero da família do metacrilato				
Conexão	Com adesivo para tubo PVC Ø 63 mm.				
Pressão máxima recomendada	1 Kg./cm ²				
Temperatura funcionamento	Menor que 40°C				

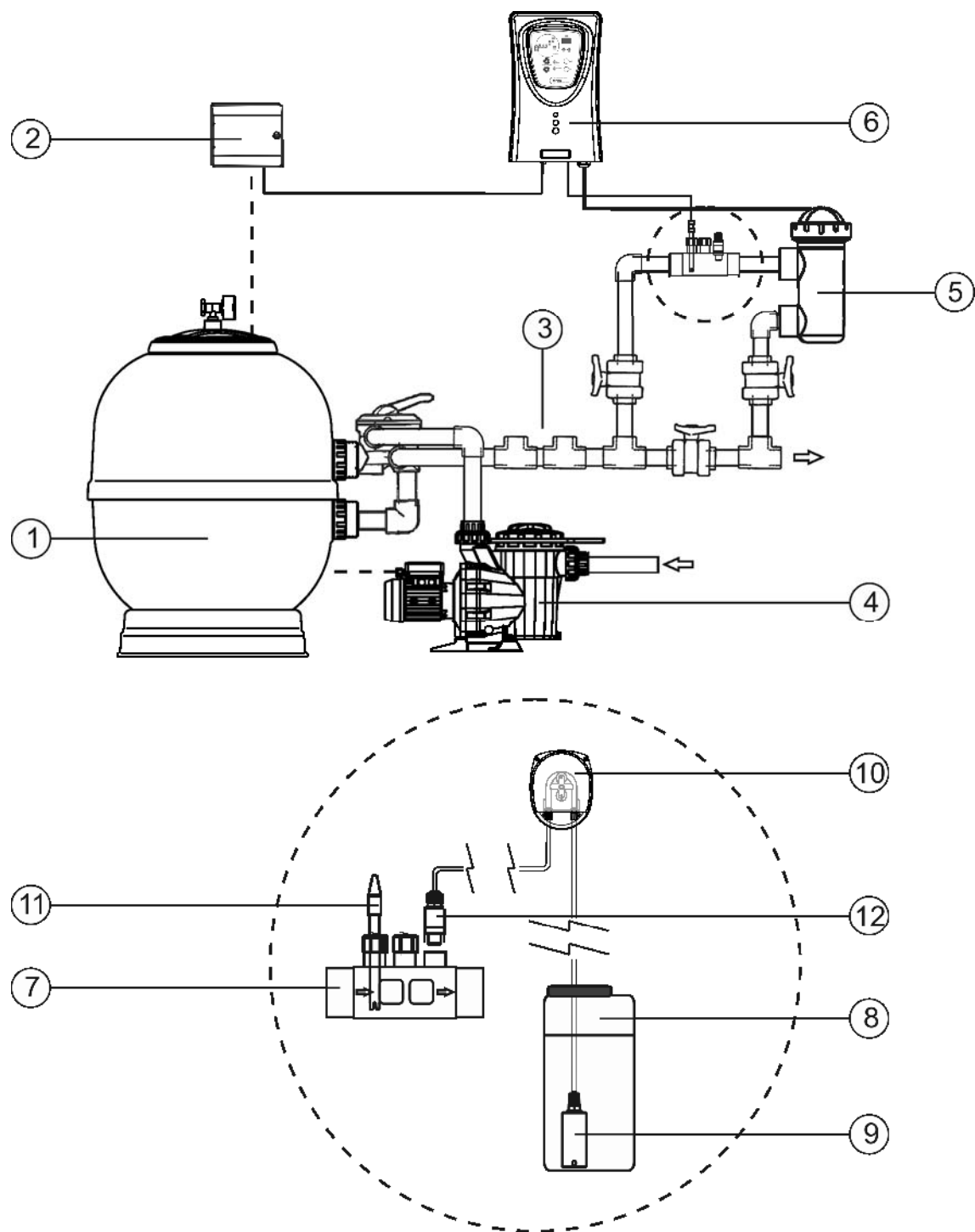
CONTROLADOR DE PH (só em modelos MOD. XX-PH)

DESCRIÇÃO	MODELO				
	MOD.7 PH	MOD.12 PH	MOD.21 PH	MOD.30 PH	MOD.40 PH
Margem de medida	0.0 - 9.9 (pH)				
Margem de controlo	7.0 - 7.8 (pH)				
Precisão	± 0.1 pH				
Calibragem	Automática com soluções padrão				
Saída de controlo [pH]	Uma saída 230 VAC / 500 mA para bomba de dosagem				
Sensor pH	Corpo epoxy, 12x 150 mm., união simple, 0-80°C cor AZUL, margem 0 - 12 (pH)				



- 1.- Filtro.
- 2.- Painel de controle.
- 3.- Outros equipamentos (permutador de calor, UV, etc.).
- 4.- Bomba.
- 5.- Célula de electrólise.
- 6.- Fonte de alimentação.

Fig.1 Diagrama de instalação recomendada (equipos MOD. XX).



- | | |
|---|------------------------------|
| 1.- Filtro. | 7.- Porta-sondas (opcional). |
| 2.- Painel de controle. | 8.- Tanque ph-minus. |
| 3.- Outros equipamentos
(permutador de calor, UV, etc.). | 9.- Filtro de entrada. |
| 4.- Bomba. | 10.- Bomba de dosagem |
| 5.- Célula de electrólise. | 11.- Sonda de pH. |
| 6.- Fonte de alimentação. | 12.- Válvula de injeção. |

Fig.2 Diagrama de instalação recomendada (equipos MOD. XX-PH).

4. INSTALAÇÃO:

4.1. Instalação da fonte de alimentação

Instalar sempre a FONTE DE ALIMENTAÇÃO do sistema de electrólise salina de modo VERTICAL e numa superfície (parede) rígida, tal como se indica no esquema de instalação recomendada (Figs. 1,2). Para garantir o seu bom estado de conservação, é preciso instalar sempre o equipamento num lugar seco e bem ventilado. O grau de estanquidade da FONTE DE ALIMENTAÇÃO do sistema de electrólise salina não permite a sua instalação à intempérie. A FONTE DE ALIMENTAÇÃO preferivelmente, deve ser instalada o suficientemente afastada da célula de electrólise, por forma a que não possa sofrer salpicaduras de água de forma accidental.

De maneira especial, evite a formação de ambientes corrosivos devidos às soluções redutoras do pH (especificamente as formuladas com ácido clorídrico "HCl"). Não instale o sistema de electrólise salina perto de lugares de armazenamento destes produtos. Recomendamos veementemente o uso de produtos com base de bisulfato sódico ou ácido sulfúrico diluído. A conexão da fonte de alimentação à rede eléctrica deve ser efectuada no quadro de manobra do depurador, por forma que a bomba e o sistema de electrólise salina sejam conectados de forma simultânea.

4.2. Instalação da célula de electrólise

A célula de electrólise deve ser instalada num lugar protegido da intempérie e **sempre atrás do sistema de filtração**. No caso de existência de outros dispositivos na instalação como bombas de calor, sistemas de controlo, etc.; estes deverão sempre ser colocados antes do sistema de electrólise.

A célula de electrólise sempre deve ser situada num ponto da tubagem que possa ser isolado do resto da instalação por meio de duas válvulas, de modo que se possam efectuar as tarefas de manutenção da mesma sem a necessidade de esvaziar total ou parcialmente a piscina.

No caso de a célula seja instalada em by-pass (opção recomendada), dever-se-á introduzir uma válvula que regule o fluxo através da mesma. Antes de proceder com a instalação definitiva do sistema é preciso levar em consideração as seguintes observações:

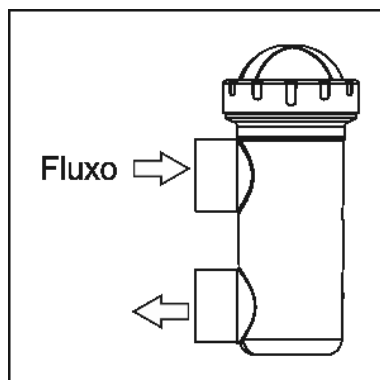


Fig. 3

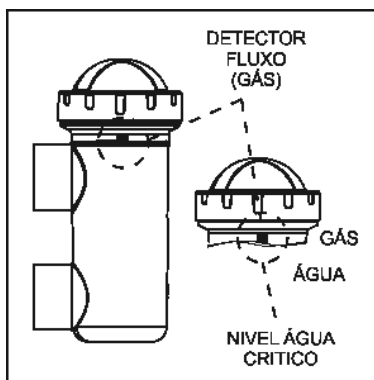


Fig. 4

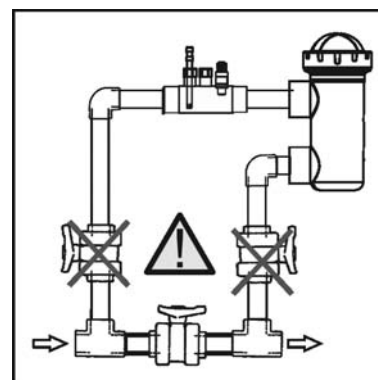


Fig. 5

1. É preciso respeitar o sentido de fluxo marcado na célula. O sistema de recirculação deve garantir o fluxo mínimo indicado na Tabela de Especificações Técnicas (ver Secção 9).

2. O sistema detector de fluxo activa-se no caso de que não haja recirculação (fluxo) de água através da célula ou no caso de que este seja muito baixo. A não evacuação do gás de electrólise gera uma bolsa que isola electricamente o eléctrodo auxiliar (detecção electrónica). Portanto, ao introduzir os eléctrodos na célula, a sonda de nível (eléctrodo auxiliar) deverá situar-se na parte superior da mesma. A disposição mais segura é a indicada no esquema de instalação recomendada.

3. **ATENÇÃO:** o detector de fluxo não funcionará correctamente, com o conseqüente risco de ruptura da célula, se se fecharem simultaneamente as válvulas de entrada e saída aos tubos onde está instalada a célula de electrólise. **Embora seja uma situação extremamente inusual, é possível evitá-la bloqueando, uma vez instalado o equipamento, a válvula de retorno à piscina,** de modo que não possa ser manipulada accidentalmente.

Outras instalações seriam só aceitáveis se permitem a detecção de fluxo fraco ou nulo.

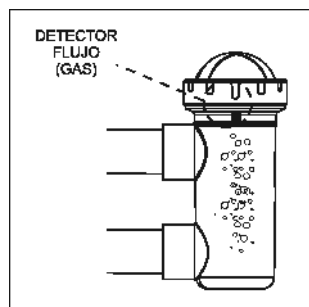


Fig. 6

Instalação RECOMENDADA

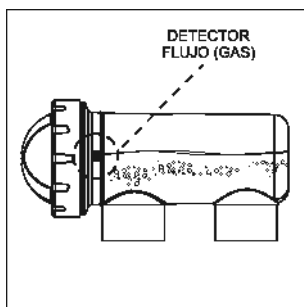


Fig. 7

Instalação PERMITIDA

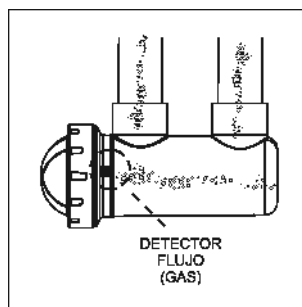


Fig 8

Instalações NÃO PERMITIDAS

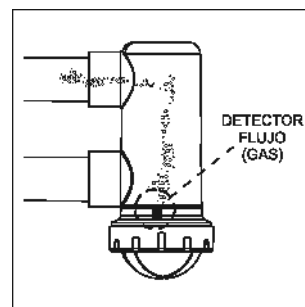


Fig 9

Os eléctrodos devem ser colocados no interior da célula de electrólise, de modo a encaixar o eléctrodo central do conjunto através das guias situadas dos quadrantes do corpo da mesma.

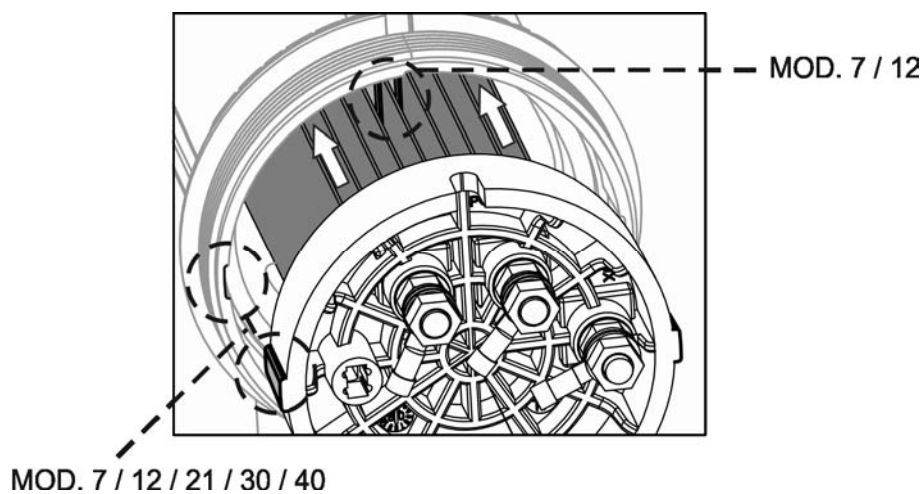


Fig 10

4.3. Conexões eléctricas da célula de electrólise

Realizar a ligação entre a célula de electrólise e a fonte de alimentação de acordo com o seguinte esquema. Em virtude da intensidade relativamente elevada da corrente que circula pelos cabos de alimentação da célula de electrólise, em nenhuma hipótese deverá modificar o comprimento ou secção dos mesmos sem fazer uma consulta prévia ao seu distribuidor autorizado. O cabo de conexão célula de electrólise-fonte de alimentação nunca deve exceder o comprimento máximo recomendado neste Manual: MOD.7 (3.5 A), 15 m.; MOD.12 (6 A), 8 m.; MOD.21 (3.5 A), 30 m.; MOD.30 (6 A), 20 m; MOD.40 (6 A), 20 m.

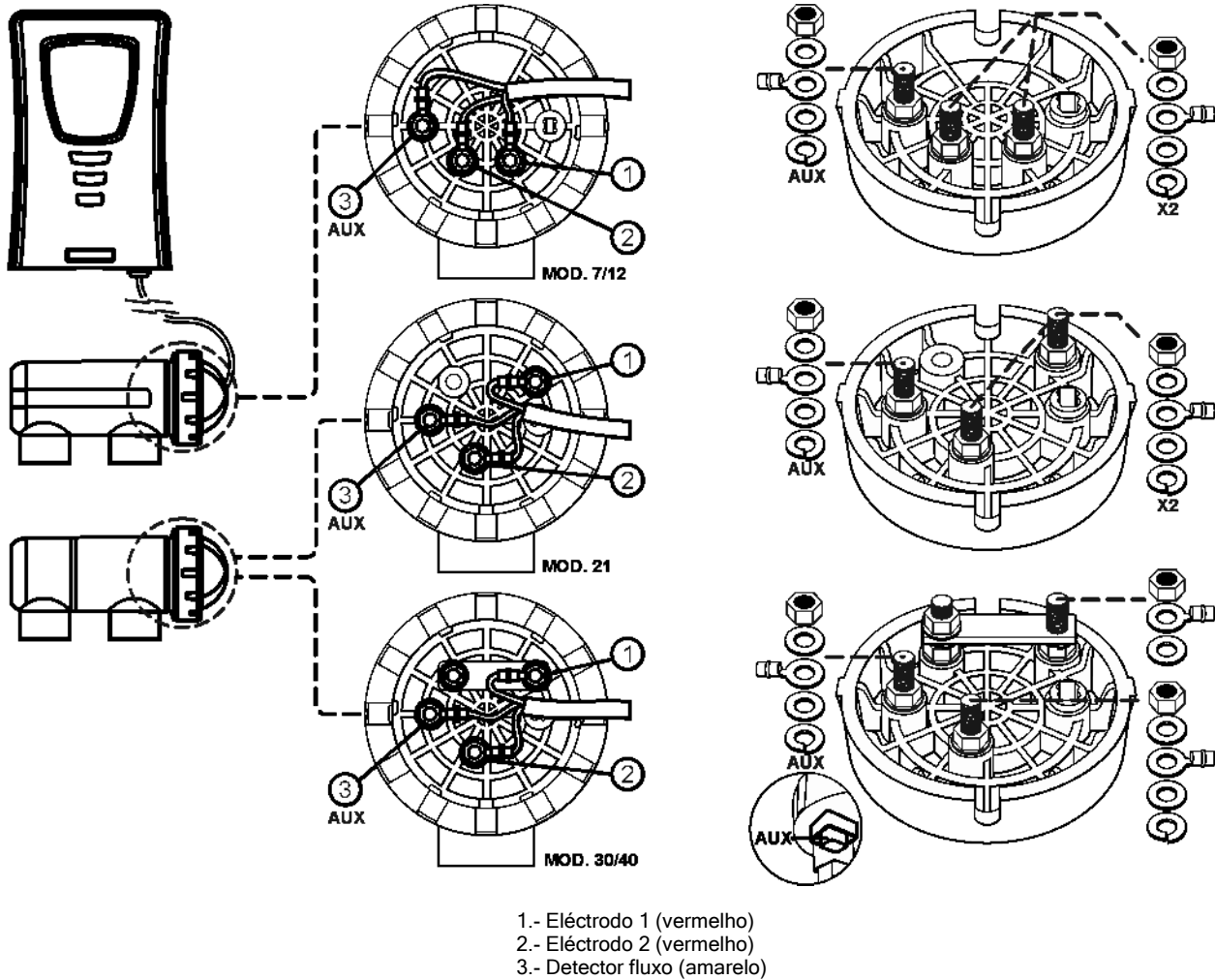


Fig.11

4.4. Instalação do sensor de pH (só em modelos MOD-XX PH)

1. Inserir o sensor de pH fornecido com o equipamento no correspondente compartimento do porta-sondas (Fig. 12).
2. Para tal, desaperte a porca do bucin e introduza o sensor no mesmo.
3. O sensor deve ser introduzido no adaptador por forma a garantir que o sensor situado na sua extremidade fique sempre submerso na água que circula pela tubagem.
4. Instalar sempre o sensor de pH referivelmente na posição vertical ou com uma inclinação máxima de 40° (Fig. 13).

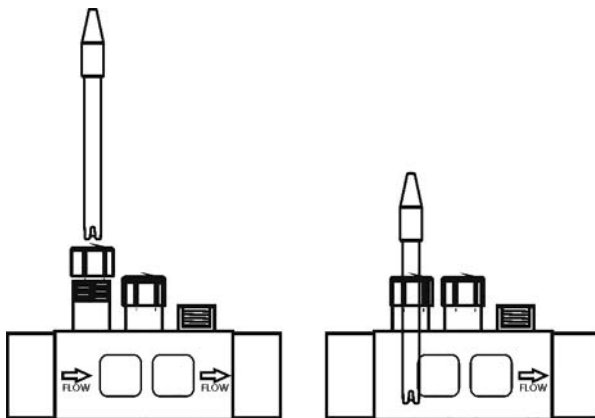


Fig. 12

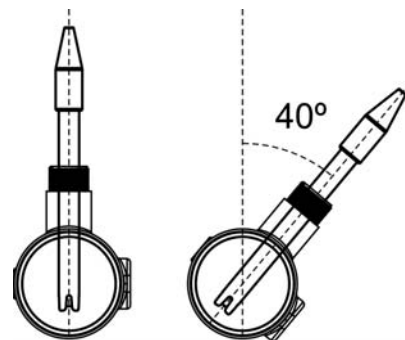


Fig. 13

4.5. Controles e indicadores

Os sistemas de electrólise salina estão equipados com um painel de controlo situado na sua frente (Figs. 14, 15).

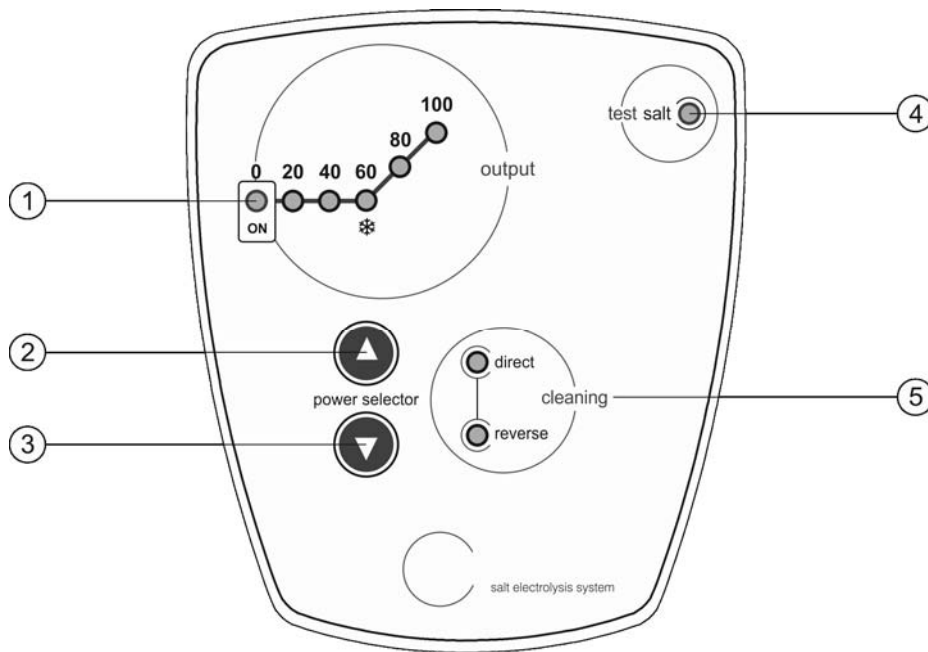


Fig. 14. Painel de controlo sistemas MOD. XX

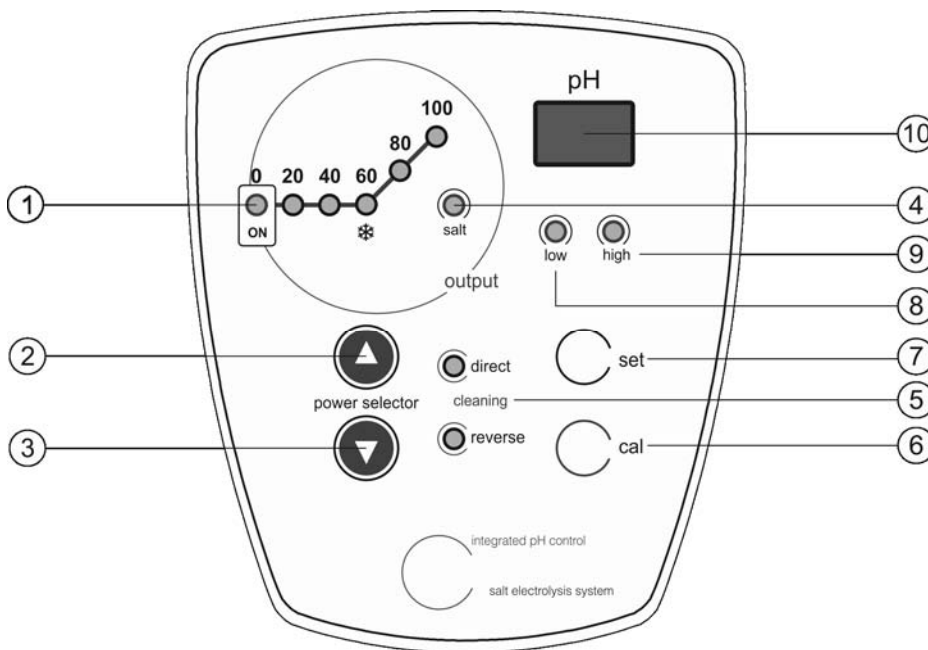


Fig. 15. Painel de controlo sistemas MOD. XX-PH

- | | |
|--|---|
| 1. Escala de produção (%) | 6. Tecla para MODO CALIBRAGEM pH |
| 2. Tecla “▲” (aumentar produção) | 7. Tecla programação/indicação do setpoint pH |
| 3. Tecla “▼” (diminuir produção) | 8. Indicador ALARME pH BAIXO (< 6.5) |
| 4. ALARME SALINIDADE (elevada/baixa) | 9. Indicador ALARME pH ELEVADO (> 8.5) |
| 5. Indicadores AUTO-LIMPEZA (polaridade DIRECTA/INVERSA) | 10. Ecrã de indicação (pH da água / setpoint pH) (valor/ programação do pH da água) |

4.6. Programação e controlo

Além das operações básica, o Sistema de Electrólise de Sal dispõe de uma entrada para o controlo externo através de um controlador ORP, cloro residual, etc.; bem como uma para o ajuste da produção do equipamento ao se activar a cobertura automática da piscina. Além disso, permite a configuração de três modos de AUTOLIMPEZA dos eléctrodos: TESTE, 2/2, 3/3 horas.

- **Sistema de AUTOLIMPEZA DOS ELÉCTRODOS:** as luzes [5] indicam o estado da polarização dos eléctrodos (directa/inversa) A frequência de inversão pode-se seleccionar através do jumper "JP1" situado na placa de controlo do sistema (Fig. 16). Esta configuração ficará efetiva quando o equipamento seja desconectado e conectado novamente.
- **Controlo COBERTURA AUTOMÁTICA:** o sistema dispõe de uma entrada para contacto sem tensão. Quando o contacto está ligado a esta entrada, fecha-se (a cobertura automática FECHADA), o sistema de electrólise reduz a sua produção **10%** do seu valor nominal (a luz "20%" da escala de produção vai manter-se iluminada).
- **Controlo EXTERNO:** o sistema dispõe de uma entrada auxiliar adicional para contacto sem tensão. Esta entrada pode ser utilizada para fazer interagir o sistema de electrólise com um controlador externo (ORP, CLORO RESIDUAL, FOTÓMETRO, etc.) Quando o contacto está ligado a esta entrada está ABERTO, o sistema de electrólise pára. Para activar esta entrada deverá colocar-se o jumper "JP2" situado na placa de controlo da unidade. Esta configuração ficará efetiva quando o equipamento seja desconectado e conectado novamente.

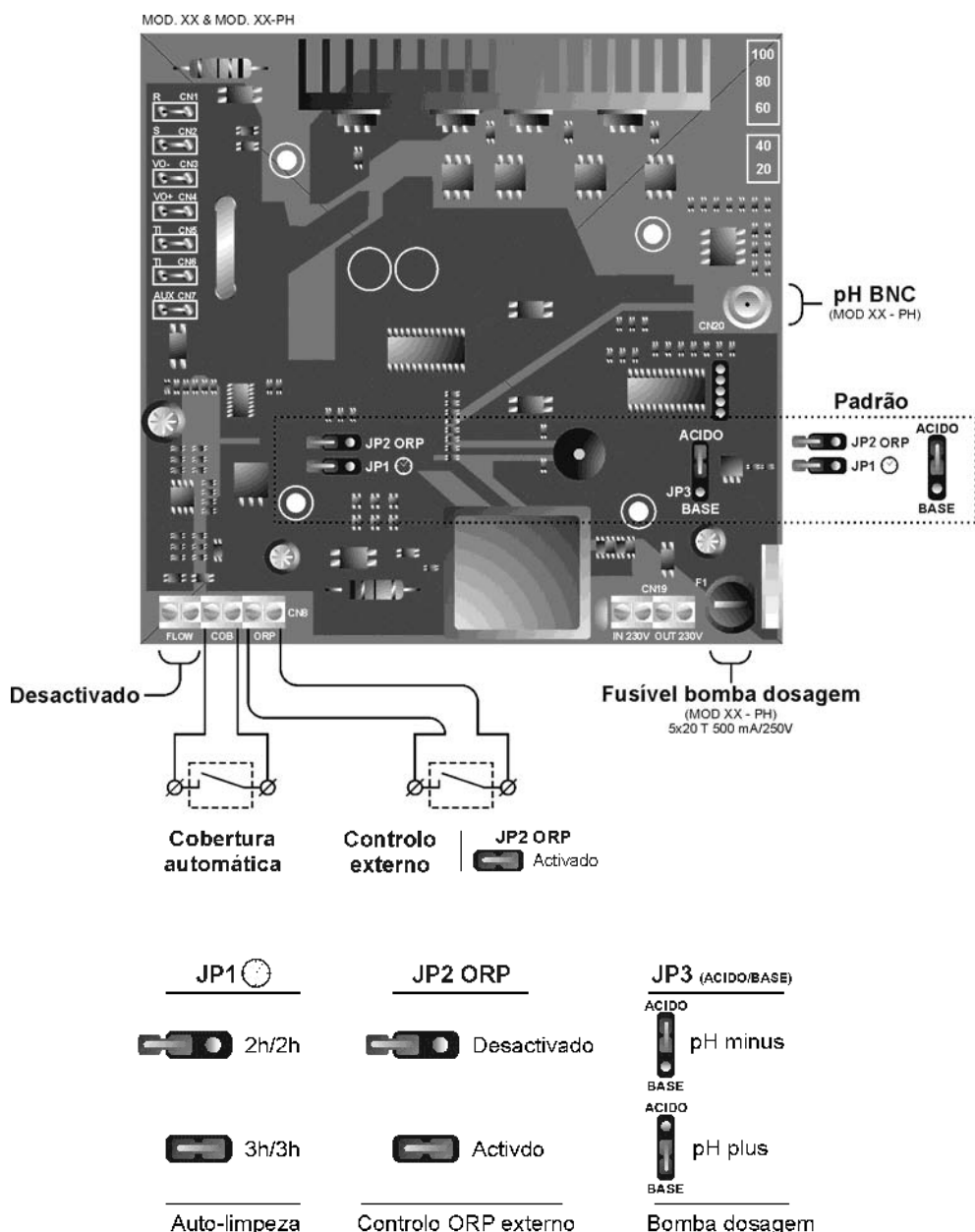


Fig. 16

4.7. Separação coberta

1. Remover o embellecedor (A) localizado na parte da coberta.
2. Desenroscar o parafuso de fixação (B).
3. Remover a coberta deslizando a mesma para cima e para fora.

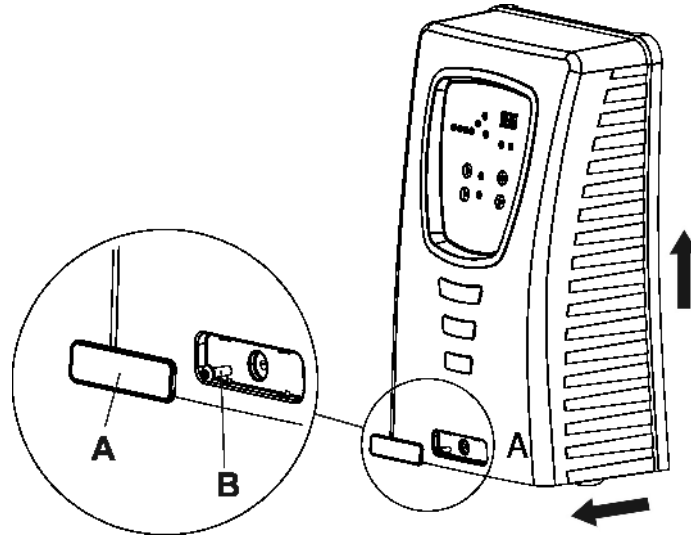


Fig. 17

4.8. Início

1. Assegurar-se de que o filtro esteja limpo a 100%, e de que a piscina e a instalação não contenham cobre, ferro e algas, bem como certificar-se de que todos os equipamentos de aquecimento instalados são compatíveis com a presença de sal na água.
 2. Equilibrar a água da piscina. Isto nos permitirá obter um tratamento mais eficiente com a menor concentração de cloro livre na água, bem como um funcionamento mais prolongado dos eléctrodos além de uma menor formação de depósitos calcários na piscina.
 - a) O pH deve ser de 7.2-7.6
 - b) A alcalinidade total deve ser de 60-120 ppm.
 3. Ainda que o sistema de electrólise salina possa trabalhar num intervalo de salinidade de 3 - 12 g/l., deve-se tentar manter o nível de sal no nível mínimo recomendado de 5 g/l, acrescentando 5 Kg. por cada m³ de água se a água não contiver previamente sal. Utilizar sempre sal comum (cloreto de sódio), sem aditivos como iodetos ou anti-espessantes, e com qualidade apta para consumo humano. Não adicionar nunca o sal através da célula. Aplicá-lo directamente na piscina ou no tanque de compensação (longe do ralo da piscina).
 4. Ao acrescentar o sal, e no caso de que a piscina seja utilizada de forma imediata, efectuar um tratamento com cloro. Como dose inicial, é possível acrescentar 2 g/m³ de ácido tricloro-isocianúrico.
 5. Antes de iniciar o ciclo de trabalho, desligue a fonte de alimentação e coloque a bomba do depurador em funcionamento durante 24 horas para garantir a completa solução do sal.
 6. Depois coloque o sistema de electrólise salina em funcionamento, situando o nível de produção do mesmo, de modo que se mantenha o nível de cloro livre dentro dos níveis recomendados (0.5 - 1.5 ppm).
- NOTA:** para poder determinar o nível de cloro livre é preciso empregar um kit de análise.
7. Em piscinas com forte insolação ou utilização intensiva, é aconselhável manter um nível de 25-30 g/m³ de estabilizante (ácido isocianúrico). Em nenhuma hipótese poderá superar o nível de 75 g/m³. Isto será de grande ajuda para evitar a destruição do cloro livre presente na água pela acção da luz solar.

5. FUNCIONAMENTO:



5.1. Sistema parado

O sistema entra no modo “EM ESPERA” quando se prime sucessivamente a tecla “▼” [3] até que o indicador “0%” fica a piscar. Nesta situação não existe produção na célula de electrólise.

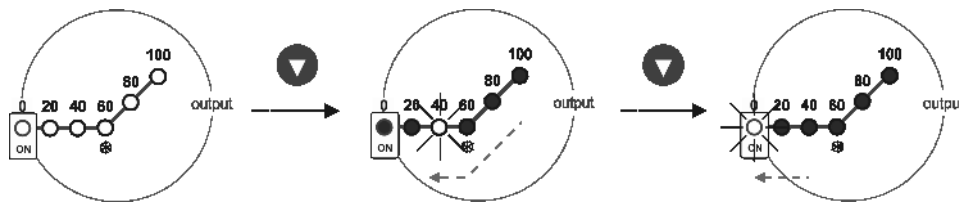


Fig. 18

5.2. Seleção do nível de produção

Para seleccionar o nível de produção desejado, prima sucessivamente as teclas “▼” [3] / “▲” [2] até que a luz correspondente ao nível de produção desejado fique a piscar. Passados alguns segundos, o sistema colocará a sua produção no nível seleccionado.

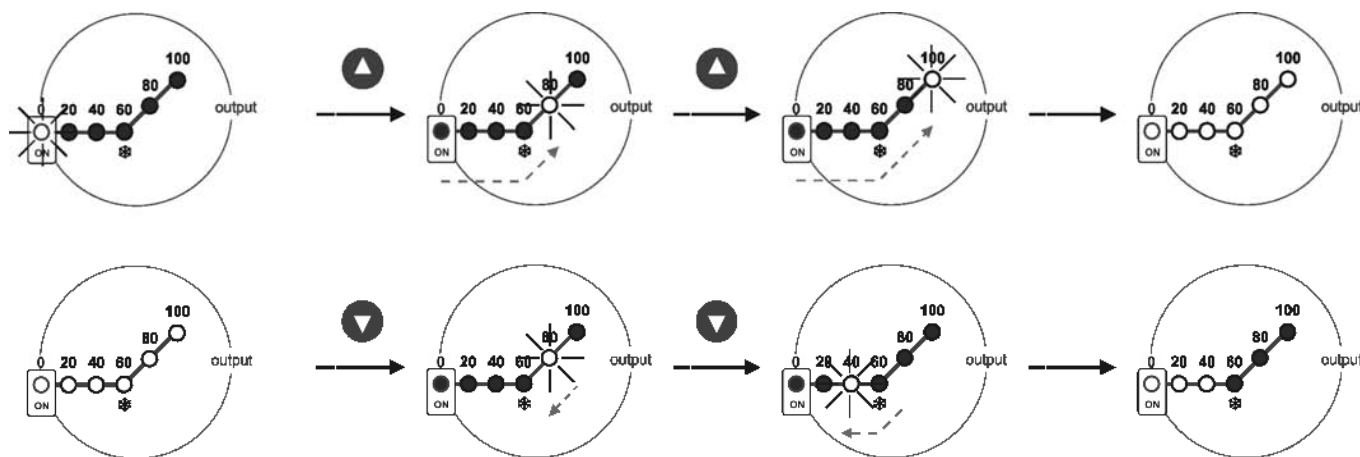


Fig. 19

O setpoint de produção programado poderá ver-se em todo momento apertando uma vez a tecla “▼” [3] ou a tecla “▲” [2].

Modo INVERNO: durante os períodos de baixa temperatura da água, onde a demanda de cloro será baixa, selecione um nível de produção [1] de 60%. Desta forma o consumo de energia e vida útil do conjunto de eletrodos são otimizados.

5.3. Modo TESTE

Para entrar no modo TESTE, baixar o nível de produção para “0 %” a través de pressões sucessivas na tecla “▼” [3] (Fig. 20)

Assim que o sistema parar mantenha a mesma tecla premida durante 10 segundos. O sistema indicará ter entrado no modo TESTE iluminando todas as luzes durante um segundo. Quando o sistema estiver no modo TESTE, os indicadores de luz de polaridade “cleaning” [5], piscan.

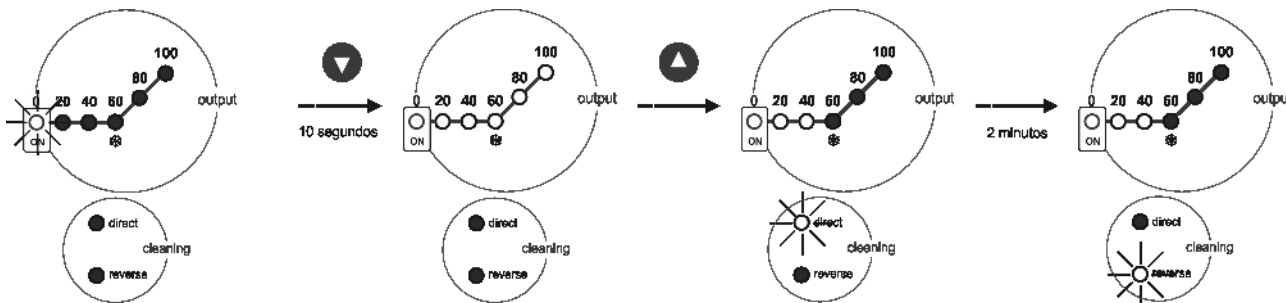


Fig. 20

Quando o sistema entra em modo de TESTE, o sistema coloca o temporizador de troca de polaridade e o nível de produção seleccionado a zero. Neste modo o sistema está totalmente operacional, efectuando-se as inversões de polaridade dos electrodos **de 2 em 2 minutos**. Para sair do MODO TESTE, o sistema deve ser desligado da rede de 230 Vac por alguns segundos. Quando o sistema é ligado novamente, volta automaticamente ao programa de auto-limpeza prévio.

5.4. Controlador de pH integrado (modelos MOD. XX-PH)

O controlador de pH integrado vem ajustado pela fábrica com os seguintes parâmetros de programação.

Valor programado pH="7.2" / ORP="700 mV"

IMPORTANTE: para chegar a uma correcta regulação do pH, assegure-se de que a alcalinidade da água está no intervalo recomendado, entre 60-120 ppm de CaCO₃. Utilize um kit para verificar o nível de alcalinidade total da água, e ajuste-o manualmente caso seja necessário.

5.4.1. CONEXÃO DO SENSOR DE PH/ORP

Conectar o sensor de pH fornecido com a unidade ao conector BNC correspondente situado na base da unidade (Fig. 21).

5.4.2. CONEXÃO DA BOMBA DE DOSAGEM

Os sistemas de electrólise salina (modelos MOD. XX-PH) dispõem de uma ligação na sua base para a conexão de uma bomba doseadora para controlo do pH da água da piscina. A bomba doseadora pode ligar-se através do conector CEE22 fornecido em conjunto com o equipamento para esse fim (Fig. 21).

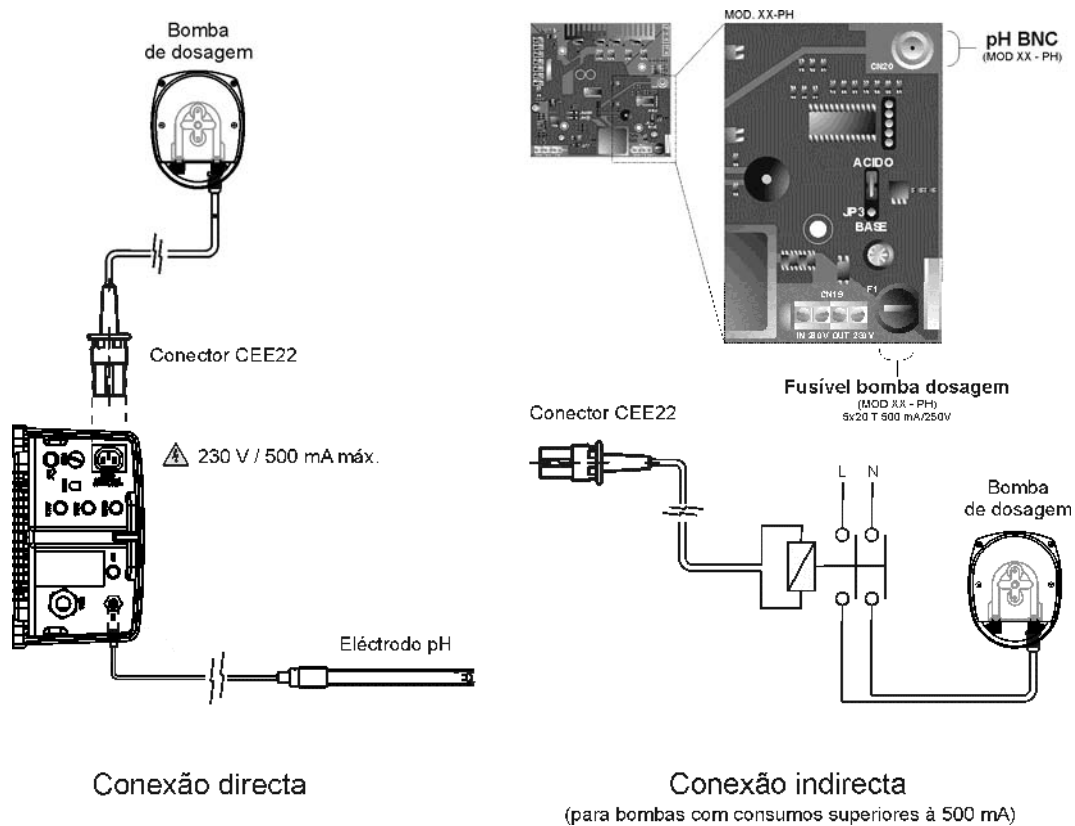


Fig. 21

5.4.3. PROGRAMAÇÃO DO VALOR DE PH DESEJADO

Manter premida a tecla "SET" [7] até que o ecrã [10] indique piscando o valor de pH desejado dentro do alcance de 7.0 - 7.8. Uma vez seleccionado, largar a tecla.

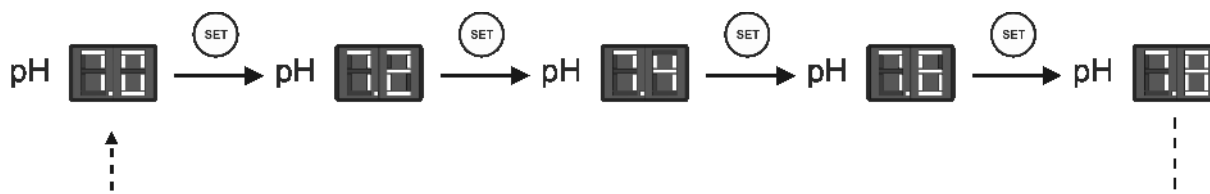


Fig. 22

O setpoint de pH programado poderá ver-se em todo momento apertando uma vez a tecla "SET" [7].

5.4.4. CONFIGURAÇÃO DA PARADA DE SEGURANÇA DA BOMBA DE DOSAGEM (FUNÇÃO PUMP-STOP)

O controlador de pH tem um sistema de segurança integrado (FUNÇÃO PUMP-STOP) atuando na bomba de dosagem que permite evitar as seguintes situações:

- Danos à bomba causados pelo funcionamento a seco (produto pH-minus esgotado).
- Mais de dosagem do produto minorador de pH (sensor danificado o no fim da vida operacional).
- Problemas de regulação de pH devido à alta alcalinidade da água (piscina recém-cheia, níveis elevados de carbonato).

Quando a função PUMP-STOP está ativada (configuração de fábrica), o sistema pára a bomba de dosagem após um tempo programado sem ter atingido o ponto de ajuste de pH.

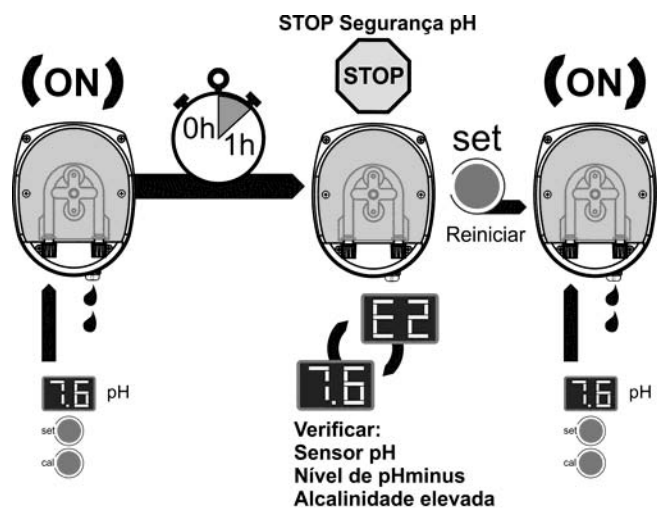


Fig. 22b

A função da PUMP-STOP está programada de fábrica para 60 minutos. Para alterar esse valor, siga o procedimento seguinte.



Fig. 22c

5.5. **Alarmes**

- **NÍVEL DE SAL ELEVADO**

No caso de se ter acrescentado sal em excesso, a fonte de alimentação irá diminuir o nível de potência com referência ao seleccionado. A luz "salt" [4] vai manter-se iluminada. Neste caso, deve-se esvaziar uma parte da piscina, (por exemplo 10%) e acrescentar água fresca para diminuir a concentração de sal. Para um conhecimento preciso do nível de sal recomendamos que utilize um medidor portátil de salinidade-temperatura.

- **NÍVEL DE SAL BAIXO**

No caso do nível de sal na água da piscina estar abaixo do recomendado, a fonte de alimentação não poderá alcançar o nível de saída seleccionado. A luz "salt" [4] vai piscar. É possível que o sistema indique níveis de sal inferiores aos reais se a temperatura for inferior a 20°C, ou se o eletrodo chegou ao fim da sua vida útil. Neste caso, determinar o nível de salinidade da água e acrescentar o sal necessário. O tipo de sal comum (NaCl) indicado para a electrólise salina não deve apresentar aditivos (anti-espessante, iodetos) e deve ser apto ao consumo humano. Para um conhecimento preciso do nível de sal recomendamos que utilize um medidor portátil de salinidade-temperatura.

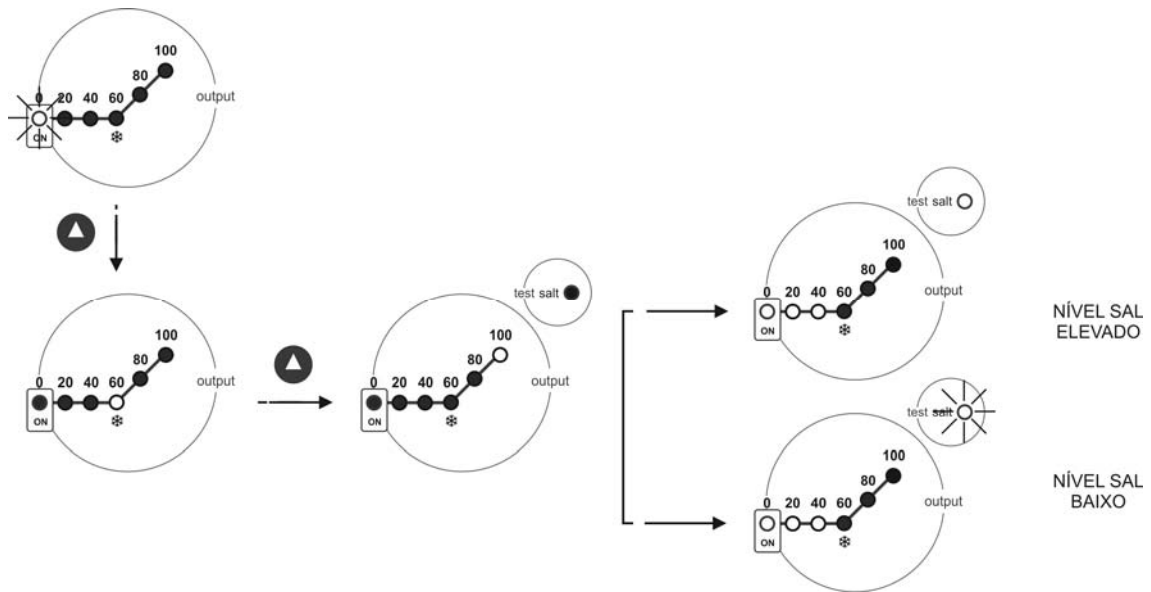
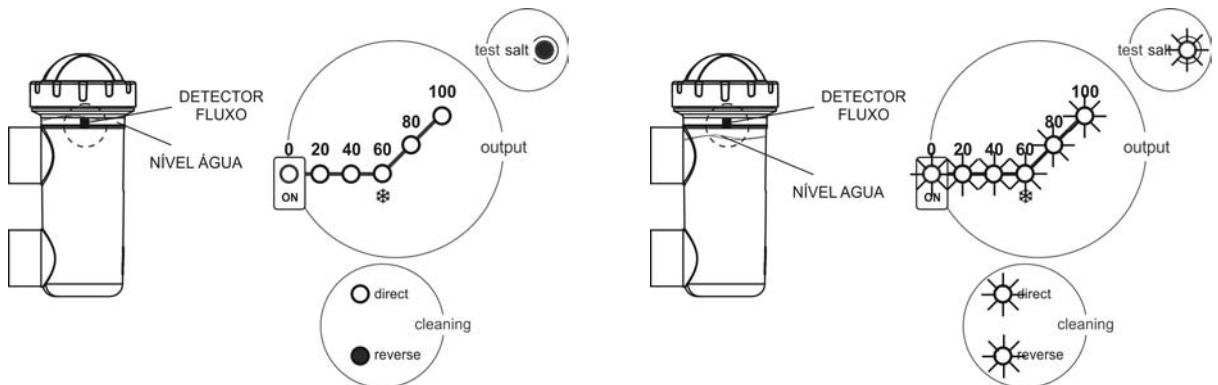


Fig. 23

- **NÍVEL DE ÁGUA EM CÉLULA/DETECTOR DE FLUXO (GÁS)**

Se em qualquer momento se formar uma bolha de ar ou de gás na parte superior da célula de electrólise e o DETECTOR DE FLUXO não estiver submerso, o sistema vai desligar automaticamente a produção, e todos os leds do painel de controle piscarão. O sistema reinicia automaticamente assim que se restitua a passagem de água pela célula ou a bolha seja evacuada.



1. Detector de gás submerso. Sistema em funcionamento.

2. Gás detectado. Sistema parado.

Fig. 24

- **CONTROL EXTERNO [JP2] ACTIVADO**

Quando o controlador externo detecta um valor superior ao setpoint programado, desliga automaticamente a produção e o led "0%" da escala de produção [1] cintila.

- **VALORES ANORMAIS DE PH (modelos MOD. XX PH)**

O controlador de pH integrado dispõe de dois led ALARME, as quais se acendem sempre que se detecte um valor anómalo de pH inferior a 6.5 "low" [8] ou superior a 8.5 "high" [9]. Quando o regulador detecta um alarme de PH activo, abre a saída de controlo da bomba doseadora (pH), sendo a mesma desconectada por segurança.

6. MANUTENÇÃO:

6.1. Manutenção da célula de electrólise

A célula deve ser mantida em condições adequadas para garantir um longo tempo de funcionamento. O sistema de electrólise salina conta com um sistema de limpeza automática dos eléctrodos. Assim, evita-se a formação de incrustações calcárias nos mesmos, portanto não se prevê a necessidade de efectuar nenhuma limpeza nos mesmos. No entanto, caso seja necessário realizar uma limpeza no interior da célula, proceder da seguinte forma:

1. Desligar a alimentação 230 Vac do equipamento.
2. Desenroscar a porca de fecho situada na extremidade onde se encontram os eléctrodos, e retirar o conjunto de eléctrodos.
3. Utilizar uma solução diluída de ácido clorídrico (uma parte de ácido em 10 partes de água), imergindo o grupo de eléctrodos na mesma durante 10 minutos no máximo.
4. NUNCA RASPAR NEM ESCOVAR A CÉLULA OU OS ELÉCTRODOS.

Os eléctrodos de um sistema de electrólise salina constituem-se por lâminas de titânio revestidas com uma camada de óxidos de metais nobres. Os processos de electrólise que têm lugar na sua superfície produzem o seu desgaste progressivo, portanto, com o fim de otimizar o tempo de duração dos mesmos, é preciso considerar os seguintes aspectos:

1. Apesar de se tratarem de sistemas de electrólise salina AUTO-LIMPANTES, o funcionamento prolongado do sistema com valores de pH acima de 7,6 em águas de alta dureza pode produzir a acumulação de depósitos calcários na superfície dos eléctrodos. Estes depósitos deteriorarão progressivamente o revestimento, ocasionando uma diminuição do seu tempo de vida útil.
2. A realização de limpezas/lavagens frequentes dos eléctrodos (como os descritos anteriormente) reduzirá a sua vida útil.
3. O funcionamento prolongado do sistema com salinidades inferiores a 3 g/l produz uma deterioração prematura dos eléctrodos.
4. A utilização frequente de produtos algicidas com alto conteúdo de cobre pode produzir a deposição do mesmo nos eléctrodos, danificando progressivamente o revestimento. Lembre-se que o cloro é o melhor algicida.

6.2. Calibragem do sensor de pH (só em modelos MOD. XX-PH)

O controlador de pH integrado conta com dois modos de calibragem do sensor de pH: "FAST" (rápido) e "STANDARD". Recomendamos efectuar a calibragem pelo menos uma vez por mês.

6.2.1. MODO "FAST"

O modo "FAST" permite a calibragem rotineira do sensor frente a pequenos desvios do mesmo **sem necessidade de extrair o sensor da instalação ou utilização de soluções padrão.**

PROCEDIMENTO:

1. Certificar-se de que o ponto onde se insere o sensor está imerso, e de que o depurador está em recirculação.
2. Por meio de um kit de medição de pH meça o pH actual da água da piscina.
3. Premir a tecla "CAL" [6] durante 5 seg. aproximadamente até que o equipamento emita um som e largar a tecla. O ecrã do pH programado [10], indicará "7.0" piscando.
4. Manter pressionada a tecla "SET" [7] até aparecer o valor de pH medido na água anteriormente, por meio do correspondente kit. Uma vez alcançado o valor, largar e premir a tecla "CAL" [6]. Caso não se detecte nenhum erro, o sistema ficará ajustado.

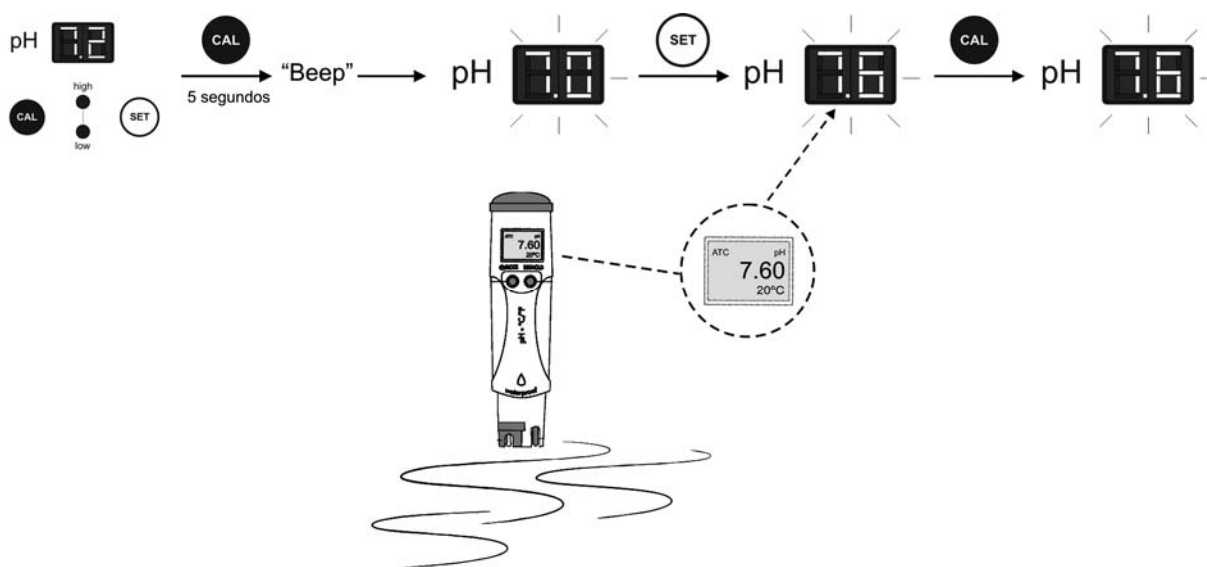


Fig. 25

6.2.2. MODO “ESTANDAR”

O modo “ESTANDAR” permite a calibragem precisa do sensor por meio do uso de duas soluções padrão de pH 7,0 e 4,0, no entanto requer a extracção do sensor da instalação.

PROCEDIMENTO:

IMPORTANTE: antes de proceder com o fecho das válvulas de by-pass, parar o sistema no painel de controlo (ver Secção 5.1).

1. Extrair o sensor do porta-sensores e lavar com água em abundância.



Fig. 26

2. Premir a tecla “CAL” [6] aproximadamente durante 5 segundos até que o equipamento emita um som, e sem a soltar prima a tecla “SET” [7] durante alguns segundos, até que o ecrã de indicação do pH [10] indique “7.0” piscando.
3. Agitar suavemente o sensor para soltar as gotas de água que podem estar presas ao mesmo e introduzi-lo na solução padrão pH=7.0 (cor verde). Agitar suavemente durante uns segundos e premir a tecla “CAL” [6]. Uma vez estabilizada a leitura, no ecrã [10] ficará a piscar a indicação “4.0”.

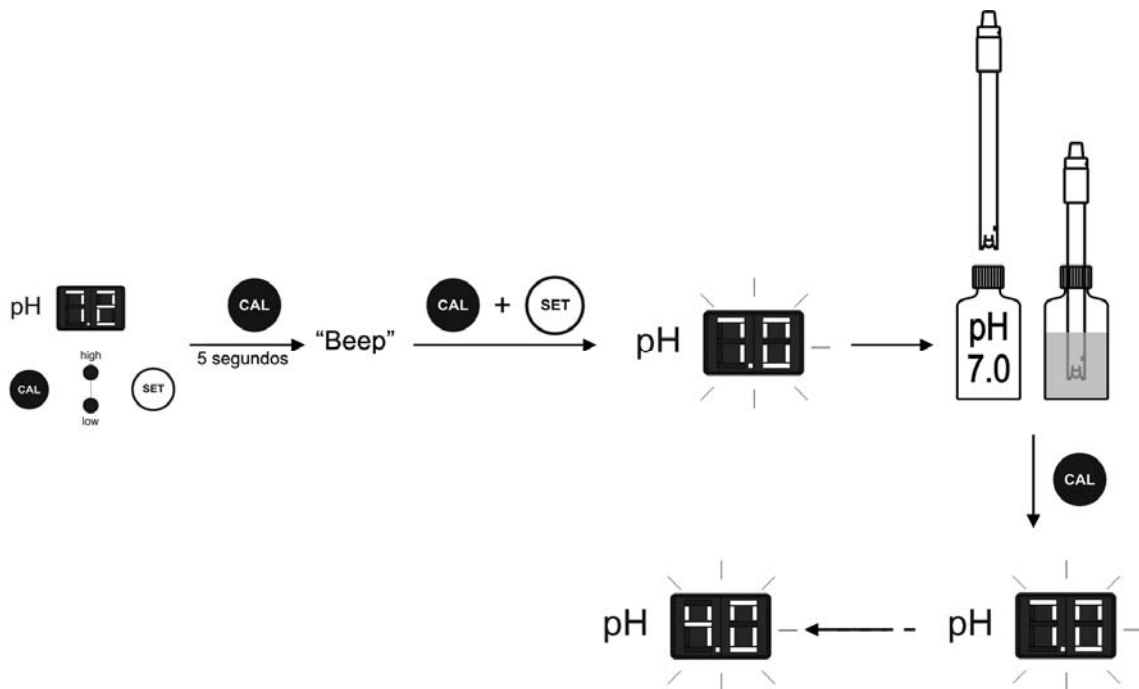


Fig. 27

4. Retirar o sensor da solução e enxaguar com água em abundância.
5. Agitar suavemente o sensor para desprender as gotas de água que podem ter ficado no mesmo e introduzir na solução padrão pH=4,0 (cor vermelho). Agitar suavemente durante alguns segundos e premir “CAL” [6]. Uma vez estabilizada a leitura, o regulador sairá automaticamente do modo de calibragem e ficará operativo.

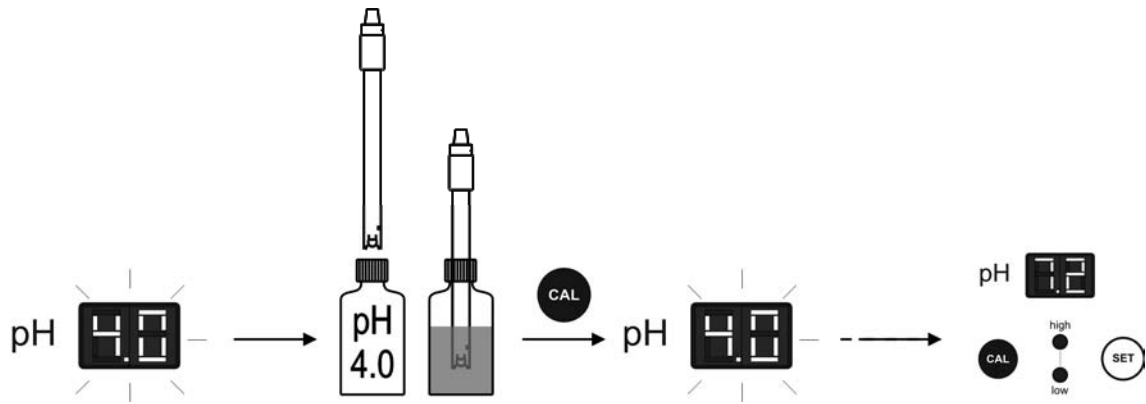





Fig. 28

MENSAJES DE ERROR:

pH  Se o processo de calibragem for interrompido por qualquer motivo, o regulador sairá automaticamente do modo calibragem uma vez transcorridos alguns segundos sem que se detecte a intervenção do utilizador. Neste caso, aparecerá durante alguns instantes a indicação "E1" no ecrã [10].

pH  Se o valor de pH detectado durante a calibragem for muito diferente ao esperado (por exemplo sensor defeituoso, etc.), o ecrã [10] indicará "E2", não permitindo a calibragem do mesmo.

pH  Se a medida de pH for instável durante o processo de calibragem, aparecerá o código "E3" no ecrã [10]. Do mesmo modo, não se permitirá a calibragem do sensor.

6.3. Manutenção do sensor de pH

1. Verificar se a membrana do sensor está húmida todo o tempo.
2. Caso não se utilize o sensor durante um longo período, conservar submerso numa solução de conservação com pH=4.0
3. Para limpar o sensor da possível sujidade, evitar utilizar materiais abrasivos que possam arranhar a superfície de medição.
4. **O sensor de pH é uma peça consumível e precisa ser substituído uma vez transcorrido determinado tempo de operação.**

7. SOLUÇÃO DE PROBLEMAS: _____

Qualquer acção necessária para solucionar possíveis problemas no equipamento deve ser realizada sempre com o equipamento desligado da alimentação eléctrica. Os problemas não contemplados na lista abaixo devem ser solucionados por um técnico qualificado.

PROBLEMA	SOLUÇÃO
<p>O indicador de produção indica sempre "0" em qualquer nível de produção escolhido.</p>	<p>Verificar os eléctrodos.</p> <p>Verificar as conexões entre a fonte de alimentação e a célula de electrólise.</p> <p>Verificar a concentração de sal.</p>
<p>A fonte de alimentação não liga.</p>	<p>Verificar se o sistema está convenientemente conectado a 230 V/50-60 Hz no quadro de manobra da piscina.</p> <p>Verificar o estado do fusível localizado na parte inferior do equipamento.</p>
<p>Os níveis de cloro livre na água são muito baixos</p>	<p>Colher uma amostra nos bicos de retorno à piscina e efectuar uma análise ao cloro.</p> <p>Verificar se os parâmetros químicos da água (pH, cloro combinado, ácido isocianúrico) são correctos.</p> <p>Aumentar o tempo de filtração.</p> <p>Acrescentar estabilizante de cloro (ácido cianúrico) até alcançar um nível 25-30 g./m³.</p>
<p>O controlador de pH sempre indica valores altos, ou as leituras são instáveis.</p>	<p>O cabo de conexão do sensor está danificado. Limpe os contactos ou troque o cabo.</p> <p>O sensor tem bolhas de ar na zona da membrana. Instale o sensor na posição vertical. Agite suavemente até eliminar a bolha.</p> <p>Falha do sensor. O cabo de conexão é muito longo ou perto de fontes de interferência electromagnética (motores, etc.). Substitua o sensor. Instale o equipamento o mais perto possível do sensor.</p>
<p>Impossível calibrar o sensor de pH</p>	<p>A solução de calibragem está fora do prazo de validade ou contaminada.</p> <p>A membrana do sensor está bloqueada. Certifique-se de que a membrana não está danificada. Limpe o sensor com ácido diluído em água, agitando suavemente.</p> <p>Falha do sensor. Troque o sensor.</p>
<p>Resposta do sensor de pH muito lenta</p>	<p>Sensor com carga electrostática. Durante a fase de calibragem os sensores não devem ser secos com papel ou fibras. Limpe exclusivamente com água e agite suavemente.</p> <p>Renovação insuficiente da água analisada (fluxo nulo pelo ponto de amostragem). Certifique-se de que a extremidade do sensor está submersa no ponto de análise, e de que não há bolhas de ar.</p>

8. CARACTERÍSTICAS TÉCNICAS:

ESPECIFICAÇÕES TÉCNICAS:

Tensão de serviço standard

230V AC - 50/60 Hz.

Cabo: 3 x 1.0 mm², long. 2 m.

MOD. 7	0.2 A
MOD. 12	0.4 A
MOD. 21	0.4 A
MOD. 30	0.8 A
MOD. 40	0.9 A

Fusível

MOD. 7	1 A T (5x20 mm)
MOD. 12	2 A T (5x20 mm)
MOD. 21	2 A T (5x20 mm)
MOD. 30	3.15 A T (5x20 mm)
MOD. 40	4 A T (5x20 mm)

Voltagem saída

Cabo 3 x 2.5 mm², long. 2 m.

MOD. 7	10.5 VDC / 3.5 A
MOD. 12	10.5 VDC / 6.0 A
MOD. 21	23.0 VDC / 3.5 A
MOD. 30	20.0 VDC / 6.0 A
MOD. 40	24.0 VDC / 6.5 A

Produção

MOD. 7	6 - 7 g./h.
MOD. 12	10 - 12 g./h.
MOD. 21	17 - 21 g./h.
MOD. 30	24 - 30 g./h.
MOD. 40	31 - 40 g./h.

Fluxo recirculação mínimo

MOD. 7	1 m ³ /h.
MOD. 12	2 m ³ /h.
MOD. 21	3 m ³ /h.
MOD. 30	5 m ³ /h.
MOD. 40	6 m ³ /h.

Número eléctrodos

MOD. 7	3
MOD. 12	5
MOD. 21	7
MOD. 30	11
MOD. 40	13

Peso líquido (embalagem incluído)

MOD. 7	9 Kg.
MOD. 12	11 Kg.
MOD. 21	13 Kg.
MOD. 30	15 Kg.
MOD. 40	17 Kg.

CARACTERÍSTICAS GERAIS:

Sistema de controlo

- Microprocessador.
- Teclado de membrana com botões de controlo e indicadores de funcionamento.
- E/S controlo: 2 entradas tipo contacto livre de potencial para estado de cobertura automática e controlador externo (ORP, CLORO RESIDUAL, etc.).
- Saída célula: controlo de produção (6 níveis discretos).
- Margem salinidade / Temperatura: 3 - 12 g/l. / +15 - 40°C.
- Controlador de pH integrado. (só em modelos MOD. XX-PH)

Auto-limpeza

Automática, por inversão da polaridade

Temperatura de trabalho

0°C a +50°C

Refrigeração: convecção natural

Material

- Fonte de alimentação
ABS
- Célula de electrólise
Metacrilato transparente

Sensor pH (só em modelos MOD. XX-PH)

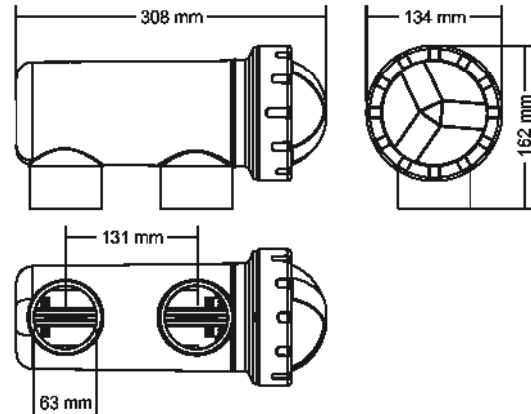
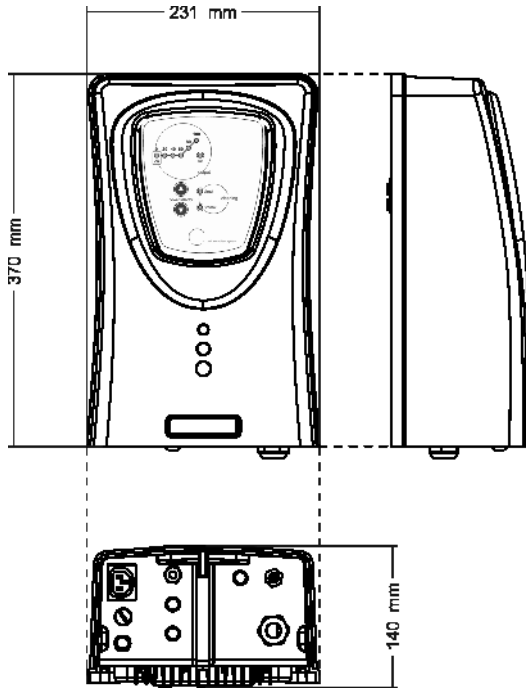
Corpo: plástico (cor azul)

Margem 0 - 12 pH

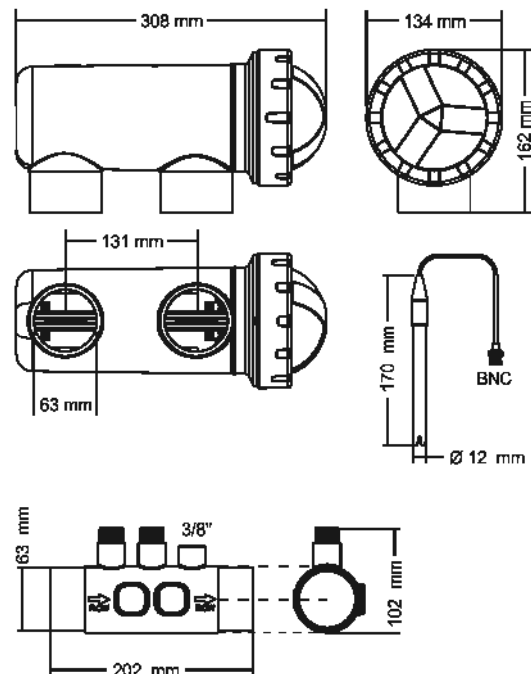
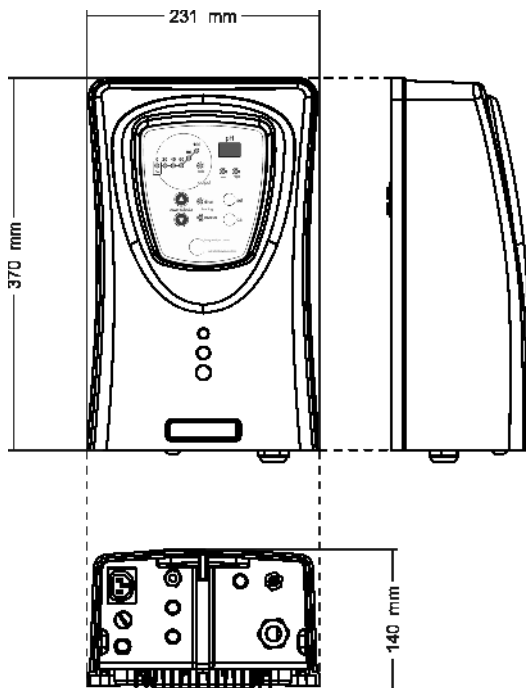
Electrólito sólido

Dimensões

MOD. XX



MOD. XX-PH



9. CONDIÇÕES DE GARANTIA:

9.1. ASPECTOS GERAIS

- 9.1.1. De acordo com estas disposições, o vendedor garante que o Produto que corresponde a esta não apresente nenhuma falta de conformidade no momento da sua entrega.
- 9.1.2. O Período de Garantia Total é de 2 ANOS.
- 9.1.3. O Período de garantia conta-se desde o momento da sua entrega ao comprador. O eléctrodo está coberto por uma garantia de 2 ANOS (ou 3.000 horas) sem prorrogações. O sensor de pH é coberto por uma garantia de 6 MESES sem prorrogações.
- 9.1.4. Se se verificar uma falta de conformidade do Produto e o comprador o notificar ao vendedor durante o período de garantia, o vendedor deverá reparar ou substituir o Produto a custo próprio no local que considerar oportuno, salvo se for impossível ou desproporcionado.
- 9.1.5. Quando não for possível reparar ou substituir o Produto, o comprador poderá solicitar uma redução proporcional do preço ou, se a falta de conformidade for suficientemente importante, a resolução do contrato de venda.
- 9.1.6. As partes substituídas ou reparadas no âmbito desta garantia não ampliam o prazo de garantia original do Produto, se bem que dispõem da sua própria garantia.
- 9.1.7. Para a efectividade da presente garantia, o comprador deverá autenticar a assinatura de aquisição e entrega do Produto.
- 9.1.8. Quando hajam decorrido mais de seis meses desde a entrega do Produto ao comprador e este alegue falta de conformidade daquele, o comprador deverá autenticar a origem e a existência do defeito alegado.
- 9.1.9. O presente Certificado de Garantia não limita ou prejudica os direitos que correspondam aos consumidores em virtude de normas nacionais de carácter imperativo.

9.2. CONDIÇÕES PARTICULARES

- 9.2.1. Para a eficácia desta garantia, o comprador deverá seguir estritamente as indicações do Fabricante incluídas na documentação que acompanha o Produto, quando esta for aplicável de acordo com a gama e modelo do Produto.
- 9.2.2. Quando for especificado um calendário para a substituição, manutenção ou limpeza de certas peças ou componentes do produto, a garantia só será válida quando seja correctamente cumprido o referido calendário.

9.3. LIMITAÇÕES

- 9.3.1. A presente garantia será unicamente de aplicar nas vendas realizadas a consumidores, entendendo-se por “consumidor” aquela pessoa que adquire o Produto com fins que não entram no âmbito da sua actividade profissional.
- 9.3.2. Não se outorga qualquer garantia a respeito do normal desgaste pelo uso do produto, nem a respeito das peças, componentes e/ou materiais fungíveis ou consumíveis (com excepção do eléctrodo).
- 9.3.3. A garantia não cobre os casos em que o Produto: (i) tenha sido objecto de tratamento incorrecto; (ii) tenha sido inspeccionado, reparado, efectuada manutenção ou manipulado por pessoa não autorizada; (iii) tenha sido reparado ou efectuada manutenção com peças não originais ou (iv) tenha sido instalado ou colocado em funcionamento de modo incorrecto.
- 9.3.4. Quando a falta de conformidade do Produto seja consequência de uma instalação incorrecta ou funcionamento incorrecto, a presente garantia apenas responderá quando a dita instalação ou funcionamento esteja incluído no contrato de compra e venda do Produto e tenha sido realizada pelo vendedor ou sob a sua responsabilidade.
- 9.3.5. Danos ou falhas do produto devido a qualquer uma das seguintes causas:
 - Programação do sistema e/ou calibragem inadequado das sondas de pH/ORP por o usuário
 - Funcionamento com salinidade inferior a 3 g./l. de cloreto de sódio e/ou temperaturas inferiores à 15°C ou superiores à 40°C.
 - Funcionamento com pH superior a 7,6.
 - Emprego de produtos químicos não autorizados de forma expressa.
 - Exposição a ambientes corrosivos e/ou a temperaturas inferiores a 0°C ou superiores a 50°C.

BELANGRIJK: Het instructieboek dat u momenteel in handen hebt, bevat fundamentele informatie over de veiligheidsmaatregelen die u dient te nemen tijdens de installatie en bij de ingebruikstelling. Het is dan ook noodzakelijk dat zowel de installateur als de gebruiker deze instructies aandachtig lezen vooraleer over te gaan tot de montage en de inbedrijfstelling. Bewaar dit handboek zodat u het later kunt raadplegen bij eventuele vragen over de werking van dit apparaat.



Verwerking van elektrische en elektronische apparaten na hun levensduur (geldt enkel in de EU)

Wanneer een product voorzien is van dit symbool, betekent dit dat het na het verstrijken van de levensduur ervan niet mag worden weggegooid samen met de rest van het huishoudelijk afval. Het behoort tot de verantwoordelijkheid van de gebruiker om dit soort afval naar een verzamelpunt te brengen dat specifiek voorzien is voor de selectieve recyclage van afgedankte elektrische en elektronische apparaten. De aangepaste verwerking en recyclage van dit soort afval draagt essentieel bij tot het behoud van het leefmilieu en het welzijn van de gebruikers. Voor meer informatie over de specifieke inzamelpunten voor dit soort afval dient u contact op te nemen met de lokale autoriteiten.

De instructies in dit handboek beschrijven de werking en het onderhoud van de zoutelektrolysesystemen model XX en model XX-PH. Om te komen tot een optimaal rendement van de zoutelektrolysesystemen, is het raadzaam de onderstaande instructies te volgen:

1. CONTROLEER DE INHOUD VAN DE VERPAKKING

In de verpakking moeten zich de volgende toebehoren bevinden:

- Voedingsbron
- Elektrolysecel
- Gecombineerde pH-sensor (alleen bij apparaten van het model XX-PH)
- IJkoplossingen pH 7.0 (groen) / pH 4.0 (rood) (alleen bij apparaten van het model XX-PH)
- Sondehouder (optioneel bij apparaten van het model XX-PH)
- CEE22 M-connector voor de aansluiting van een doseerpomp (alleen bij apparaten van het model XX-PH)
- Handleiding voor het apparaat

2. ALGEMENE KENMERKEN

Zodra uw zoutelektrolysesysteem geïnstalleerd is, moet u een hoeveelheid zout in het water laten oplossen. Dit zoute water circuleert door de elektrolysecel die zich in de zuiveringsinstallatie bevindt. Het zoutelektrolysesysteem bestaat uit twee elementen: een elektrolysecel en een voedingsbron. De elektrolysecel omvat een bepaald aantal titaniumplaatjes (elektroden), waardoor een elektrische stroom circuleert alsook de zoutoplossing; als gevolg hiervan vormt er zich vrij chloor.

Door de hoeveelheid chloor in het zwembadwater op een bepaald niveau te houden, kan een goede waterkwaliteit gegarandeerd worden. Het zoutelektrolysesysteem produceert chloor telkens het recirculatiesysteem van het zwembad (pomp en filter) operationeel is.

De voedingsbron is uitgerust met diverse veiligheidsinrichtingen die geactiveerd worden bij een abnormaal werkend systeem, alsook met een microbesturingseenheid.

De zoutelektrolysesystemen beschikken over een automatisch reinigingssysteem voor de elektroden dat de vorming van aanslag voorkomt. Verder zijn de systemen uit de modellenreeks XX-PH ook uitgerust met een automatische pH-controller.

3. VEILIGHEIDSWAARSCHUWINGEN EN AANBEVELINGEN

- De montage en bediening mogen enkel worden uitgevoerd door personeel dat daartoe voldoende gekwalificeerd is.
- De geldende normen ter preventie van ongevallen, alsook met betrekking tot elektrische installaties moeten worden nageleefd.
- De fabrikant kan in geen geval verantwoordelijk worden gesteld voor de montage, installatie of inbedrijfstelling, noch voor enige verwerking of integratie van componenten in zijn installaties die hij niet zelf heeft vervaardigd.
- De zoutelektrolysesystemen werken met 230 V AC / 50/60 Hz. U mag de voedingsbron niet proberen te gebruiken met een ander voltage.
- Vergewis u ervan dat de elektrische aansluitingen stevig zijn om valse contacten te vermijden, wat kan leiden tot oververhitting.
- Voordat u overgaat tot de installatie of vervanging van enig component in het systeem, moet u zich ervan vergewissen dat dit eerst is losgekoppeld van de voedingsspanning, en gebruik uitsluitend door de fabrikant geleverde reserveonderdelen.
- Aangezien het apparaat warmte genereert, is het van belang dat u het installeert op een locatie die voldoende wordt verlucht en dat u ervoor zorgt dat de ventilatieopeningen steeds vrij blijven van enig blokkerend element. Zorg ervoor dat het apparaat niet geïnstalleerd wordt in de buurt van ontvlambare materialen.
- De zoutelektrolysesystemen hebben een beschermingsgraad IP24. Ze mogen in geen geval geïnstalleerd worden op locaties die kunnen overstromen.

VOEDINGSBRON

BESCHRIJVING	MODEL				
	MOD.7 MOD.7 PH	MOD.12 MOD.12 PH	MOD.21 MOD.21 PH	MOD.30 MOD.30 PH	MOD.40 MOD.40 PH
Bedrijfsspanning	230 V AC, 50 Hz/60 Hz				
Uitgang (DC)	3,5 A x 2	6 A x 2	3,5 A x 6	6 A x 5	6,5 A x 6
Output (g/u)	6 - 7	10 - 12	17 - 21	24 - 30	31 - 40
Capaciteit zwembad (m ³) Matig: 16 - 24°C Warm: +25°C	40 25	60 50	100 80	160 120	200 160
Debietmeter	Gasdetector				
Zoutbereik / Temperatuurbereik	3 - 12 g/l / +15 - 40°C				
Elektroden	Titanium met ZELFREINIGENDE coating, STANDAARD-kwaliteit Geschatte duur: 8.000 - 10.000 uren (afhankelijk van de waterkwaliteit) ⁽²⁾				
Outputcontrole	0 - 100 % (5 outputniveaus)				
Polariteitsinversie	Programmeerbaar: 2 ⁽¹⁾ / 3 uren (jumper op controlekaart) + testmodus				
Zoutniveaubescherming	Automatische outputbescherming				

⁽¹⁾ Fabrieksinstelling.

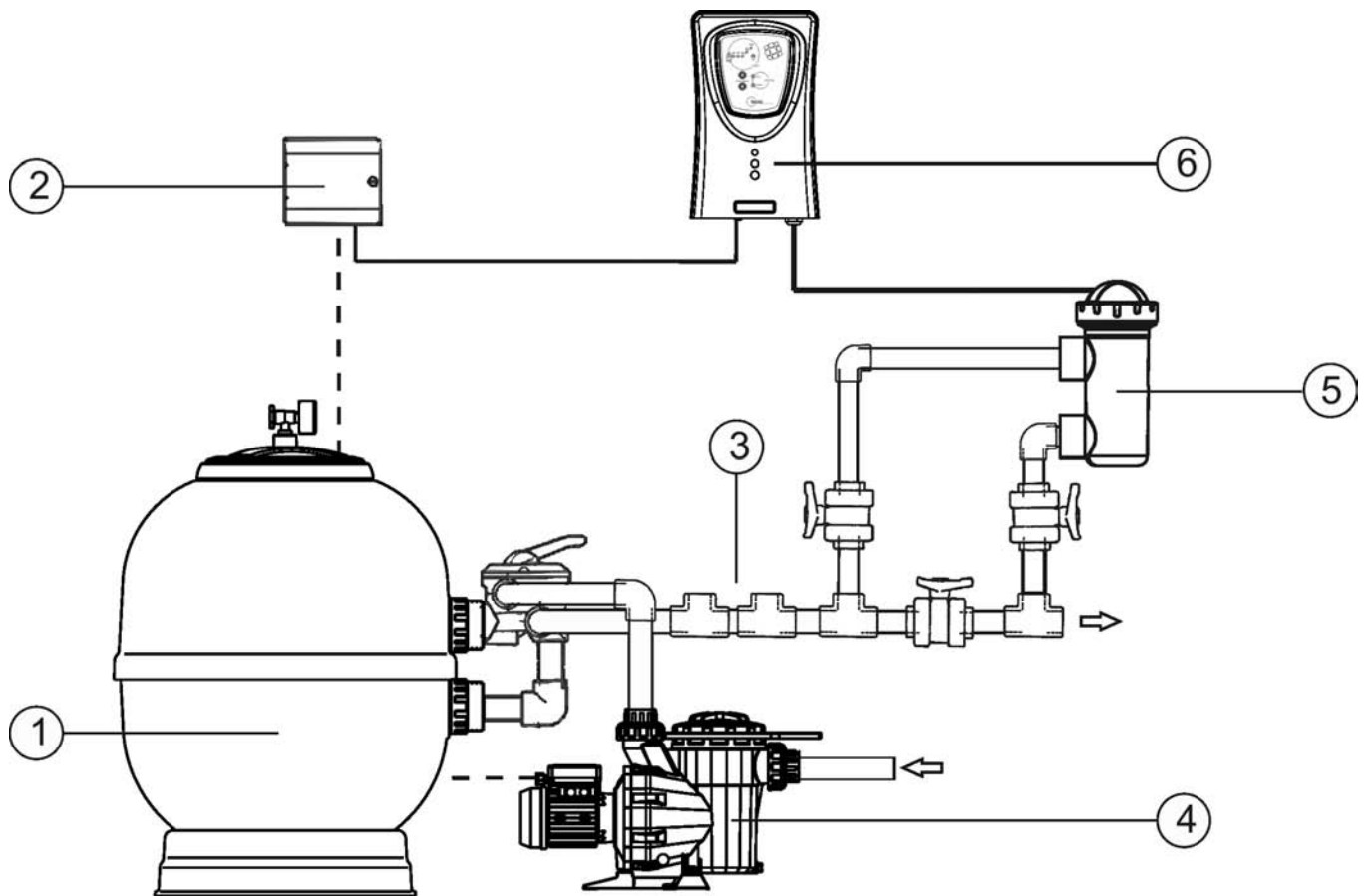
⁽²⁾ Onder ideale omstandigheden: zoutgehalte (6 g/l), pH (7.2), waterhardheid (120 mg/l) en minimale debiet.

ELEKTROLYSECEL

BESCHRIJVING	MODEL				
	MOD.7 MOD.7 PH	MOD.12 MOD.12 PH	MOD.21 MOD.21 PH	MOD.30 MOD.30 PH	MOD.40 MOD.40 PH
Min. Debiet	1 m ³ /u	2 m ³ /u	3 m ³ /u	5 m ³ /u	6 m ³ /u
Aantal elektroden	3	5	7	11	13
Materiaal	Methacrylaatderivaat				
Leidingaansluiting	Vastgemaakt met lijm voor pvc-buizen Ø 63 mm				
Aanbevolen max. druk	1 kg/cm ²				
Werktemperatuur	Minder dan 40°C				

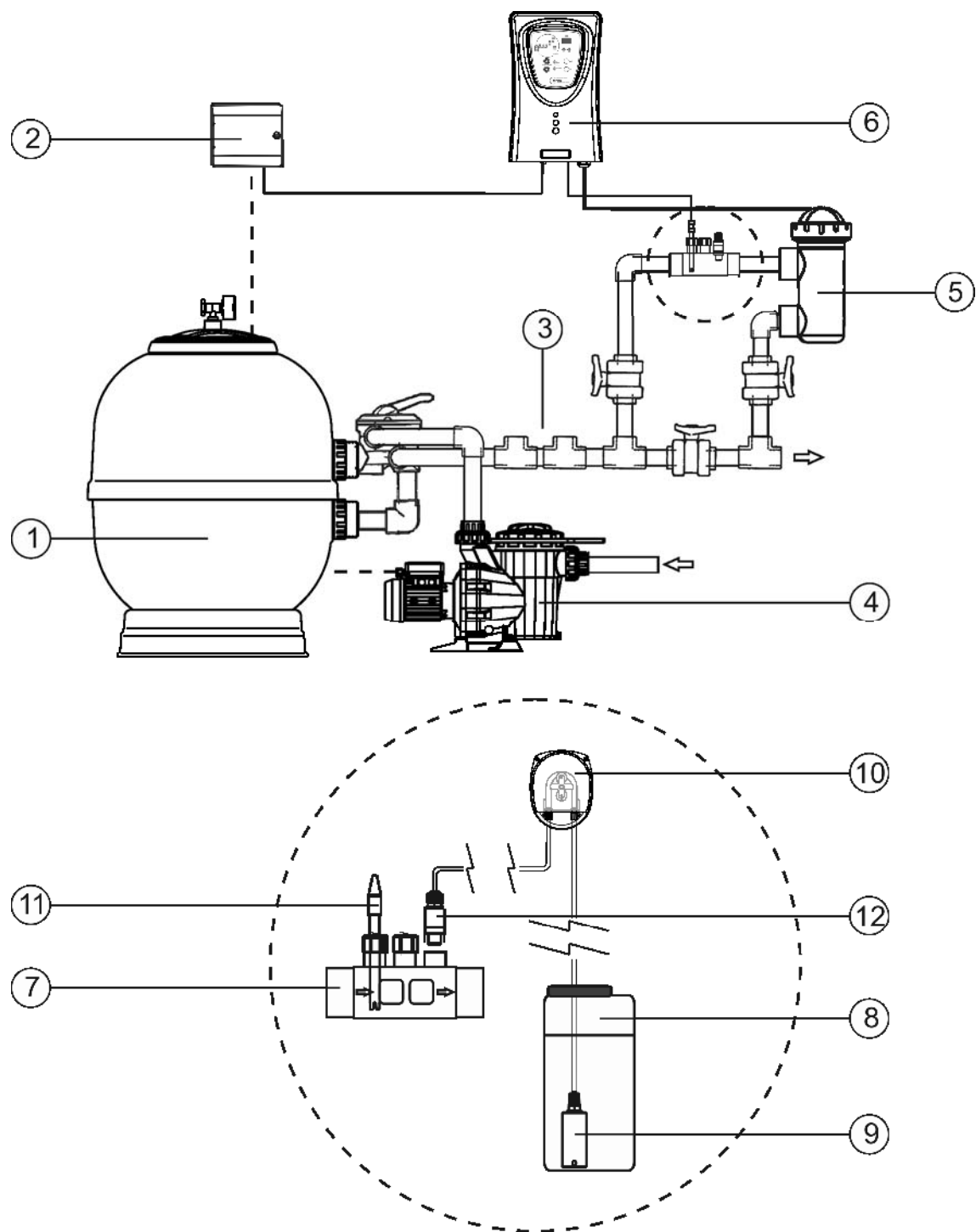
PH-CONTROLLER (alleen bij de modellen MOD. XX-PH)

BESCHRIJVING	MODEL				
	MOD.7 PH	MOD.12 PH	MOD.21 PH	MOD.30 PH	MOD.40 PH
Meetbereik	0,0 - 9,9 (pH)				
Controlebereik	7,0 - 7,8 (pH)				
Nauwkeurigheid	± 0,1 pH				
Kalibratie	Automatisch met behulp van standaardoplossingen 7,0 / 4,0 (pH)				
Controle-uitgangen [pH]	Een uitgang van 230 VAC / 500 mA voor aansluiting van de doseerpomp				
pH-sensoren	Hoofdbestanddeel in epoxy, 12 x 150 mm, eenvoudige verbinding, 0-80°C kleur BLAUW, bereik 0 - 12 (pH)				



- 1.- Filter
- 2.- Schakelbord
- 3.- Andere uitrustingen (warmtewisselaar, UV ...)
- 4.- Pomp
- 5.- Elektrolysecel
- 6.- Voedingsbron

Fig.1 Aanbevolen installatieschema (apparaten model XX)



- | | |
|-------------------------|-----------------------------|
| 1.- Filter | 7.- Sondehouder (optioneel) |
| 2.- Schakelbord | 8.- pH-min-reservoir |
| 3.- Andere uitrustingen | 9.- Aanzuigfilter |
| 4.- Pomp | 10.- Doseerpomp |
| 5.- Elektrolysecel | 11.- pH-sonde |
| 6.- Voedingsbron | 12.- Injectieventiel |

Fig.2 Aanbevolen installatieschema (apparaten model XX-PH)

4. INSTALLATIE

4.1. Installatie van de voedingsbron

Installeer de VOEDINGSBRON van het systeem steeds VERTICAAL en op een stevig oppervlak (aan een stevige wand) zoals weergegeven in het aanbevolen installatieschema (Fig. 1,2). Om te garanderen dat het systeem in goede staat blijft, moet u ervoor zorgen dat het apparaat steeds geïnstalleerd wordt op een droge en goed verluchte locatie. De dichtheidsgraad van de VOEDINGSBRON van het systeem laat geen installatie in de openlucht toe. De VOEDINGSBRON moet bij voorkeur worden geïnstalleerd op een voldoende grote afstand van de elektrolysecel, om te vermijden dat er niet ongewild waterspatten op terechtkomen.

Vermijd in het bijzonder dat er corrosieve omgevingen ontstaan als gevolg van oplossingen met een lage pH (concreet alle samenstellingen met zoutzuur "HCl"). Installeer het systeem niet in de buurt van plaatsen waar dergelijke producten opgeslagen zijn. We raden met klem aan producten te gebruiken op basis van natriumbisulfaat of verdund zwavelzuur. De aansluiting van de voedingsbron op het elektriciteitsnet moet gerealiseerd worden in de schakelkast van de zuiveringsinstallatie. Daarbij moet u ervoor zorgen dat de pomp en het systeem gelijktijdig aangesloten worden.

4.2. Installatie van de elektrolysecel

De elektrolysecel is vervaardigd in een transparant polymeer, waarin zich de elektroden bevinden. De elektrolysecel moet worden geïnstalleerd op een locatie die voldoende bescherming biedt tegen de weersomstandigheden en **altijd achter het filtreersysteem** en iedere andere voorziening in de installatie zoals warmtepompen, controlesystemen ...

Na installatie van de elektrolysecel moet de gebruiker makkelijk toegang hebben tot de geïnstalleerde elektroden. De elektrolysecel moet altijd aangebracht zijn op een locatie in het leidingnet die door middel van kleppen afgescheiden kan worden van de rest van de installatie, zodat de respectieve onderhoudswerkzaamheden kunnen worden uitgevoerd zonder dat het zwembad geheel of gedeeltelijk moet worden geleegd.

Indien de cel wordt geïnstalleerd in een bypass (aanbevolen optie), moet ze worden ingewerkt in een klep die het debiet door deze bypass regelt. Vooraleer over te gaan tot de definitieve installatie van het systeem, moet rekening worden gehouden met de volgende opmerkingen:

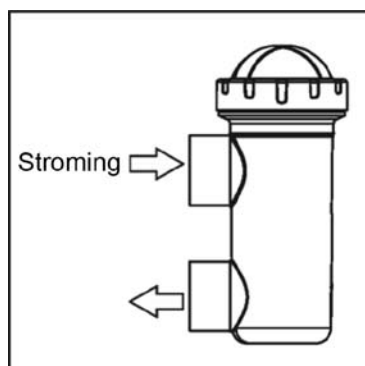


Fig. 3

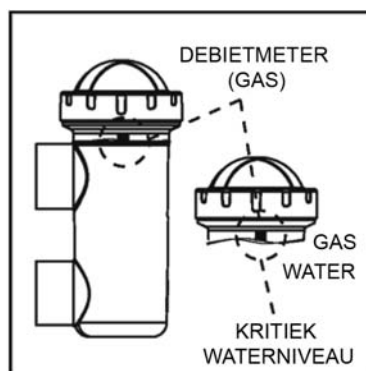


Fig. 4

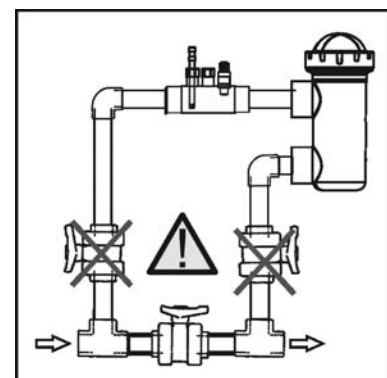


Fig. 5

1. U moet steeds de stroomrichting respecteren die op de cel is aangegeven. Het recirculatiesysteem moet het minimumdebiet garanderen zoals vermeld in de tabel met de technische kenmerken (zie punt 9).

2. Het systeem voor de debietmeting (gasdetector) wordt geactiveerd wanneer er geen of heel weinig water door de cel circuleert (stroomt). Doordat het elektrolysegas niet afgevoerd wordt, ontstaat er een luchtbel die de hulpelektrode elektrisch isoleert (elektronische detectie). Vandaar dat de gasdetector (hulpelektrode) bij het invoeren van de elektroden in de cel steeds in het bovenste deel ervan moet blijven zitten. De veiligste opstelling is zoals weergegeven in het aanbevolen installatieschema.

3. **OPGELET:** de debietmeter (gasdetector) zal niet correct werken, met het daaruit voortvloeiende risico op onderbreking van de cel, als zowel de ingangs- als de uitgangskleppen op het leidingnet waarop de elektrolysecel is geïnstalleerd, zich sluiten. Ook al leidt dit tot een ongebruikelijke situatie, **toch kan dit vermeden worden door de terugstroomklep naar het zwembad, na installatie van het apparaat, te blokkeren**, zodat ze niet per ongeluk gemanipuleerd kan worden.

Andere voorzieningen zullen slechts aanvaardbaar zijn als ze eveneens de mogelijkheid bieden om gasbellen te detecteren die veroorzaakt worden door een te laag debiet van het water dat door de cel stroomt.

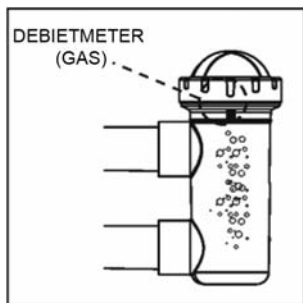


Fig. 6

AANBEVOLEN installatie

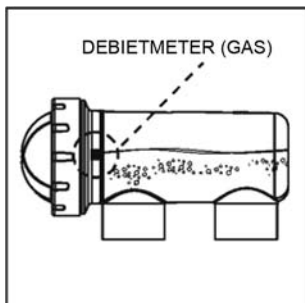


Fig. 7

TOEGESTANE installatie

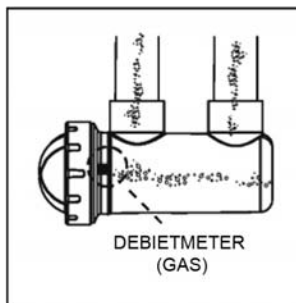


Fig. 8

NIET TOEGESTANE installaties

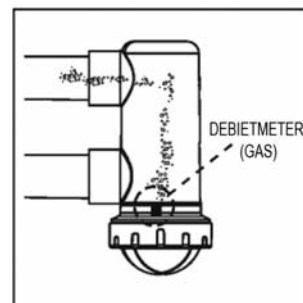


Fig. 9

De elektroden van de modellen moeten in de elektrolysecel worden ingebracht, zodat de centrale elektrode van het geheel via de rails in de kwadranten van het lichaam past.

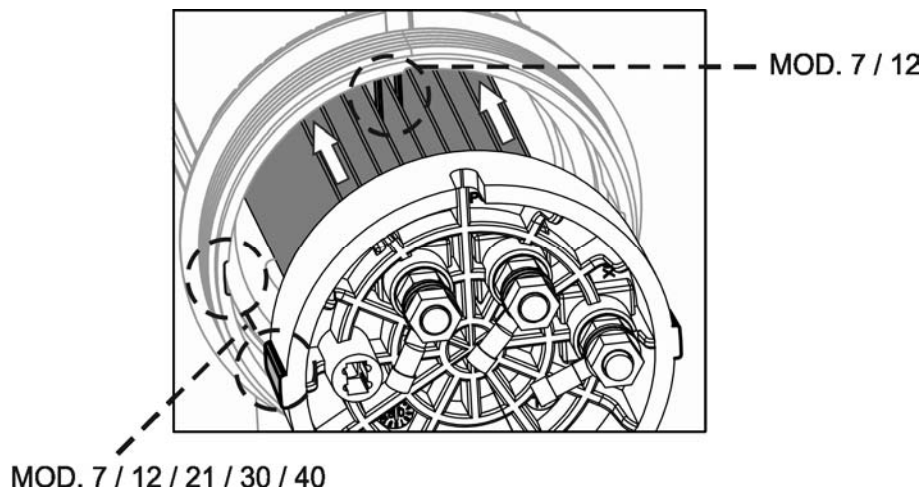
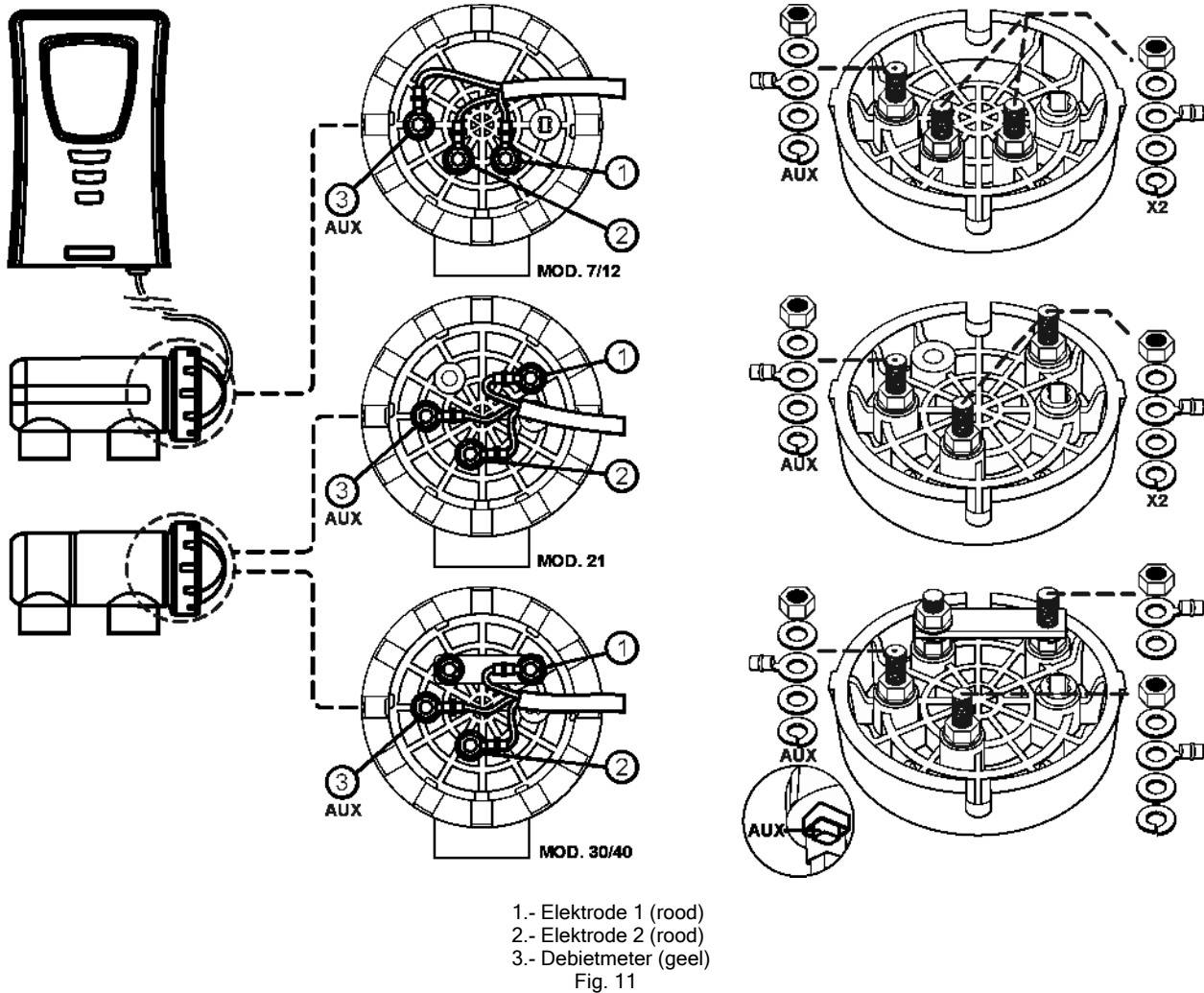


Fig. 10

4.3. Elektrische aansluitingen van de elektrolysecel

Realiseer de verbinding tussen de elektrolysecel en de voedingsbron volgens de onderstaande schematische voorstellingen. Door de relatief hoge stroomsterkte die door de kabels van de elektrolysecel stroomt, mag u in geen enkel geval de lengte noch de diameter van deze kabels veranderen zonder voorafgaand uw erkende verdeler te consulteren. De verbindingskabel tussen de cel en de voedingsbron mag nooit langer zijn dan de in dit handboek aanbevolen maximumlengte: MOD.7 (3,5 A), 15 m; MOD.12 (6 A), 8 m; MOD.21 (3,5 A), 30 m; MOD.30 (6 A), 20 m; MOD.40 (6 A), 20 m.



4.4. Installatie van de pH-sonde (alleen bij apparaten van het model XX-PH)

1. Steek de pH-sonde die samen met het apparaat werd geleverd, in de overeenstemmende behuizing van de sondehouder. (Fig. 12)
2. Draai hiermee de moer van het verbindingstuk los en steek er de sensor in.
3. De sensor moet zodanig in het verbindingstuk worden gestoken, dat gegarandeerd wordt dat de sensor aan het uiteinde ervan steeds ondergedompeld blijft in het water dat door het leidingnet stroomt.
4. De pH-sonde moet steeds als volgt worden geïnstalleerd: bij voorkeur verticaal, ofwel met een maximale schuifte van 40° (Fig. 13).

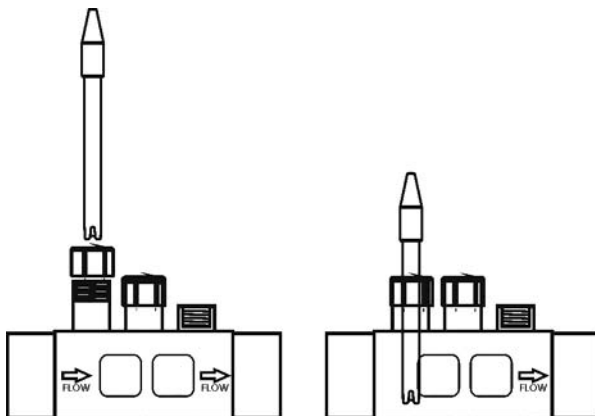


Fig. 12

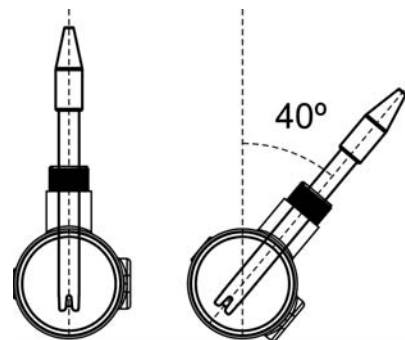


Fig. 13

4.5. Controle-elementen en indicatoren

De zoutelektrolysesystemen zijn aan de voorkant uitgerust met een bedieningspaneel (Fig. 14,15).

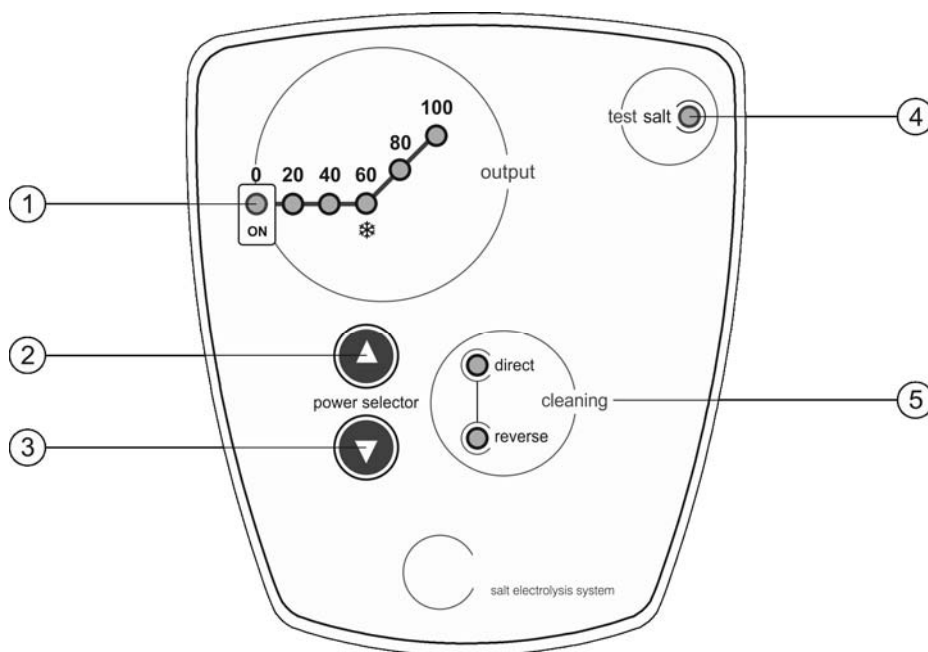


Fig. 14. Bedieningspaneel voor de systemen van het model XX

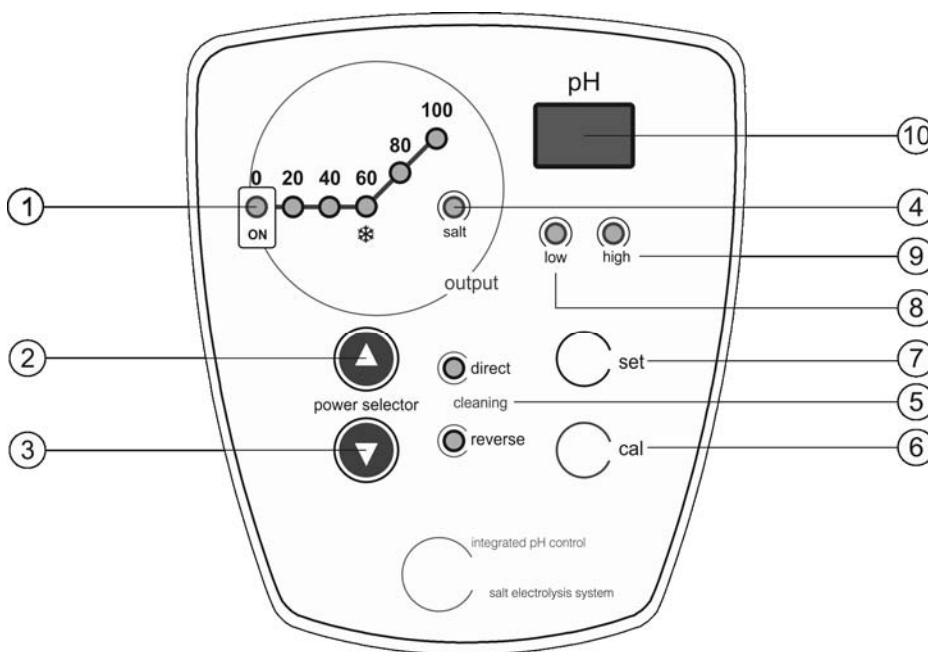


Fig. 15. Bedieningspaneel voor de systemen van het model XX-PH

- | | |
|---|--|
| 1. Outputschaal (%) | 6. Toets voor pH-KALIBRATIEMODUS |
| 2. Toets "▲" (output verhogen) | 7. Toets voor het programmeren van de gewenste pH-waarde |
| 3. Toets "▼" (output verminderen) | 8. Indicator LAGE pH-ALARM (< 6,5) |
| 4. ALARM ZOUTGEHALTE (hoog/laag) | 9. Indicator HOGE pH-ALARM (> 8,5) |
| 5. Indicatoren ZELFREINIGING (NEGATIEVE/POSITIEVE polariteit) | 10. Indicatiescherm (waarde/instelwaarde voor de pH van het water) |

4.6. Programmering en bediening

Naast de basisverrichtingen beschikt het zoutelektrolysesysteem ook over een ingang voor externe bediening via een controller voor ORP, resterend chloor ...; zo is er een voor de productie-instelling van het apparaat voor de activering van de automatische zwembadafdekking. Verder zijn er ook drie modi ingesteld voor de ZELFREINIGING van de elektroden: TEST, 2/2, 3/3 uren.

- **Systeem voor ZELFREINIGING VAN ELEKTRODEN:** de leds [5] geven de polarisatiestand van de elektroden aan (negatief/positief). De inversiefrequentie kan worden geselecteerd door middel van de jumper "JP1" die zich op het bedieningspaneel van het systeem bevindt (Fig. 16). Deze configuratie zal efficiënt zijn wanneer het apparaat wordt afgekoppeld en opnieuw wordt aangekoppeld.
- **Bediening AUTOMATISCHE AFDEKKING:** het systeem beschikt over een ingang voor een spanningsloos contact. Wanneer het contact dat verbonden is met deze ingang, zich sluit (automatische afdekking DICHT), vermindert het elektrolysesysteem zijn input met 10% van zijn nominale waarde (de led bij "20%" van de outputschaal licht op).
- **EXTERNE bediening:** het systeem beschikt over een bijkomende hulpingang voor een spanningsloos contact. Deze ingang kan worden gebruikt om het elektrolysesysteem interactief te laten werken met een externe controller (ORP, RESTEREND CHLOOR, LICHTMETER ...). Wanneer het contact dat met deze ingang is verbonden, GEOPEND is, stopt het elektrolysesysteem. Om deze ingang te activeren, zal de jumper "JP2" op het bedieningspaneel van de eenheid ingesteld moeten worden. Deze configuratie zal efficiënt zijn wanneer het apparaat wordt afgekoppeld en opnieuw wordt aangekoppeld.

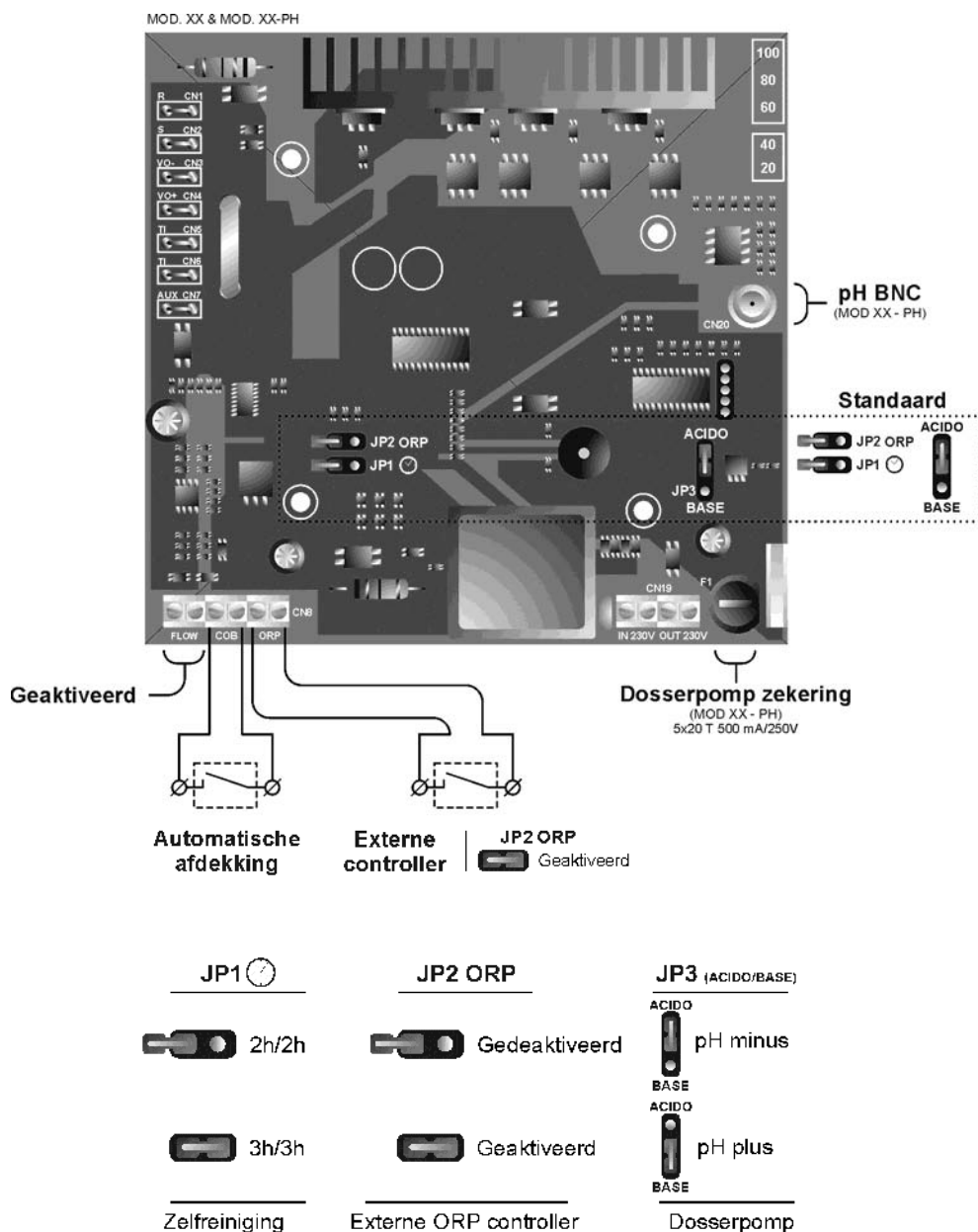


Fig. 16

4.7. Demontage van de afdekplaat

1. Verwijder de sierstrip (A) die aan de voorkant van de afdekplaat zit.
2. Draai de bevestigingsschroef (B) onderaan aan het apparaat los.
3. Verwijder de afdekplaat door ze naar boven en vervolgens naar buiten te schuiven.

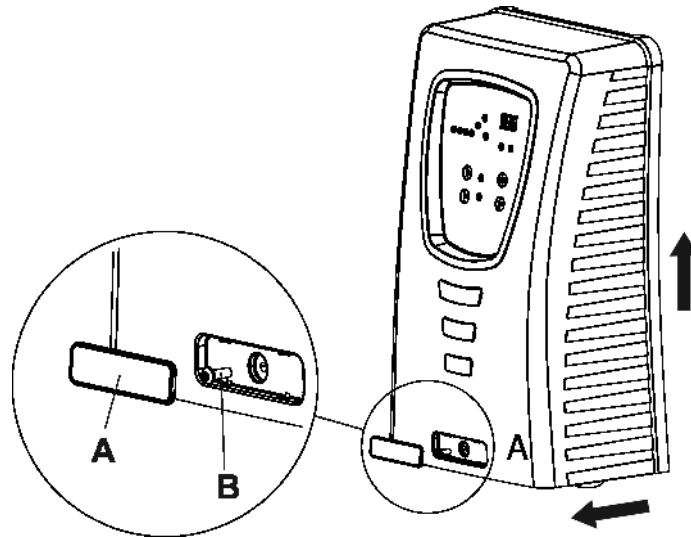


Fig. 17

4.8. Inbedrijfstelling

1. Verzeker u ervan dat de filter volledig schoon is en dat het zwembad en de installatie geen koper, ijzer en algen bevatten. Verder moet u er ook voor zorgen dat ieder geïnstalleerd verwarmingsapparaat geschikt is voor gebruik met zouthoudend water.
2. Breng het water in het zwembad in evenwicht. Op die manier kunnen we komen tot een efficiëntere behandeling met een lagere concentratie vrij chloor in het water, alsook een langere levensduur van de elektroden dankzij minder vorming van kalkaanslag in het zwembad.
 - a) De pH moet tussen 7,2-7,6 liggen.
 - b) De alkaliniteit moet tussen 60-120 ppm liggen.
3. Ondanks het feit dat het systeem geschikt is voor gebruik binnen een saliniteitsbereik van 3 - 12 g/l, moet u het aanbevolen optimale zoutniveau van 5 g/l trachten aan te houden door 5 kg per m³ water toe te voegen als het water nog niet eerder zout bevatte. Gebruik steeds gewoon zout (natriumchloride), zonder enige additieven zoals jodiden of verdunningsmiddelen, dat geschikt is voor menselijke consumptie. Voeg het zout nooit toe via de cel. Voeg het meteen toe aan het zwembadwater of in het compensatievat (ver van de afvoer van het zwembad).
4. Indien het zwembad na toevoeging van het zout meteen gebruikt zal worden, moet u een chloorbehandeling uitvoeren. Als startdosis kunt u 2 g/m³ trichloorisocyanuurzuur toevoegen.
5. Voordat u de werkcyclus in gang zet, koppelt u de voedingsbron af en laat u de pomp van het zuiveringstoestel gedurende 24 uur draaien om zeker te zijn dat het zout volledig is opgelost.
6. Daarna stelt u het zoutelektrolysesysteem in werking, waarvan u het productieniveau zodanig instelt, dat het vrij-chloorniveau binnen de aanbevolen waarden behouden blijft (0,5 - 1,5 ppm).

OPM.: om het vrij-chloorniveau te kunnen bepalen, zal u een analysekit nodig hebben.
7. In zwembaden met een sterke zonne-instraling of zwembaden die intensief worden gebruikt, is het raadzaam om het stabilisatorniveau (isocyaanzuur) op 25-30 g/m³ te houden. In geen geval mag dit niveau 75 g/m³ overschrijden. Dit zal helpen om te vermijden dat het vrije chloor in het water vernietigd wordt onder invloed van het zonlicht.

5. WERKING



5.1. Gestopt systeem

Het systeem gaat in "WACHT"-modus wanneer achtereenvolgens de toets "▼" [3] wordt ingedrukt totdat de led bij "0 %" blijft knipperen. In dat geval vindt er geen productie plaats in de elektrolysecel.

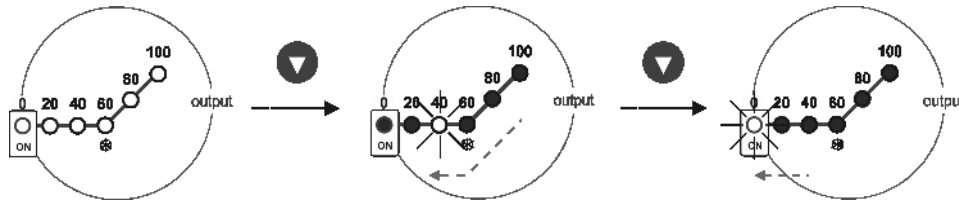


Fig. 18

5.2. Selectie van het productieniveau

Om het gewenste productieniveau te selecteren, drukt u achtereenvolgens de toetsen "▼" [3] / "▲" [2] in totdat de overeenstemmende led van het gewenste productieniveau blijft knipperen. Na verloop van enkele seconden zal het systeem zijn productie op het geselecteerde niveau instellen.

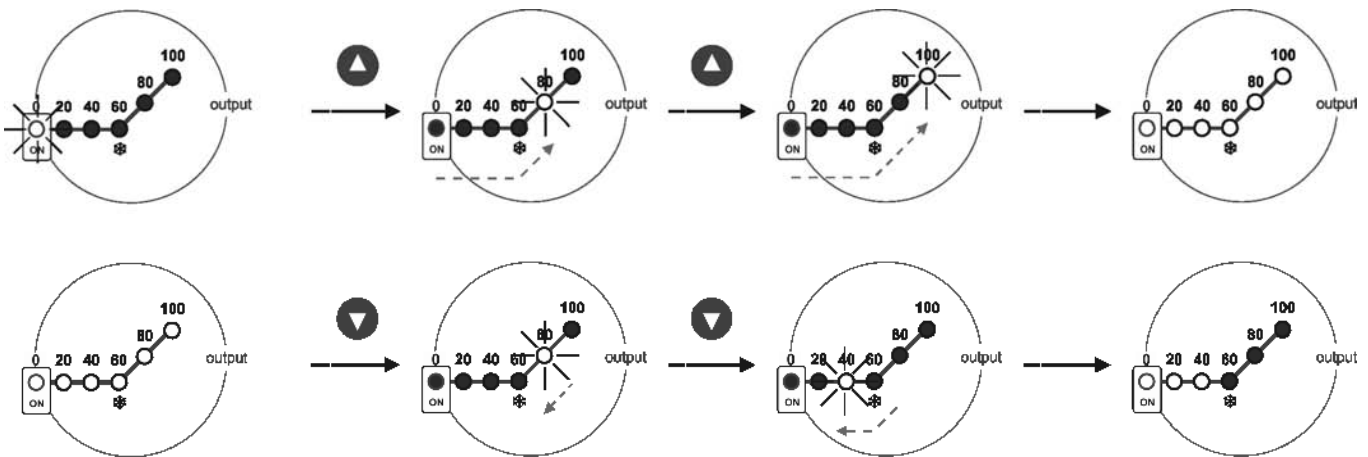


Fig. 19

Het geprogrammeerde productie-setpoint kan op elk ogenblik worden geraadpleegd door eenmaal toets "▼" [3] of toets "▲" [2] in te drukken.



WINTER-modus: in periodes waarin het water een lage temperatuur heeft en waarin de vraag naar chloor laag is, selecteert u een productieniveau [1] van 60%; zo optimaliseert u het elektriciteitsverbruik en de levensduur van de elektrodenet.

5.3. TEST-modus

Om in TEST-modus te gaan, moet u het productieniveau verminderen tot "0 %" door opeenvolgend de toets "▼" [3] in te drukken (Fig. 20)

Zodra het systeem is gestopt, houdt u deze zelfde toets gedurende 10 seconden ingedrukt. Het systeem zal aangeven dat het in TEST-modus gaat door alle leds gedurende een seconde te laten branden. Zodra het systeem in TEST-modus is, beginnen de leds die de "cleaning" [5]-polariteit aangeven, te knipperen.

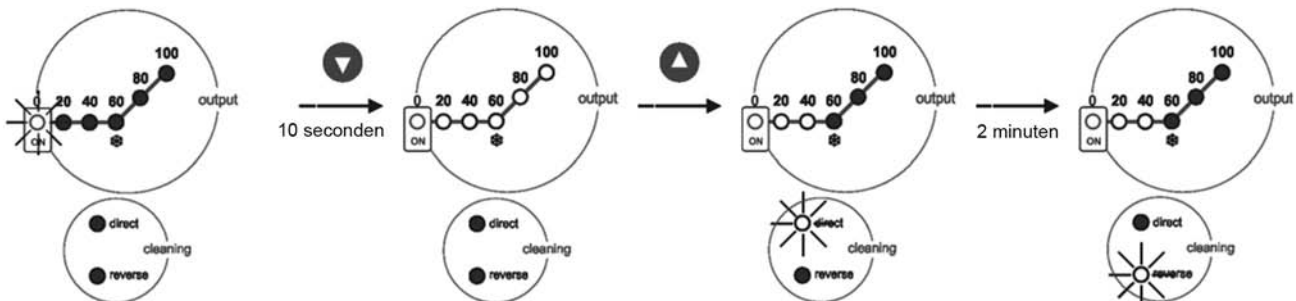


Fig. 20

In TEST-modus gaat het systeem over tot een reset van de timer voor de polariteitswissel en van het geselecteerde productieniveau. In deze modus is het systeem volledig operationeel, want het voert **om de 2 minuten** de polariteitsinversies van de elektroden uit. Om de TEST-modus te verlaten, zal de voeding van het apparaat gedurende enkele seconden afgekoppeld moeten worden. Zodra de voeding daarna opnieuw wordt aangekoppeld, keert het systeem automatisch terug naar het eerdere programma voor zelfreiniging.

5.4. Geïntegreerde pH-controller (modellen XX PH)

De geïntegreerde pH-controller verlaat de fabriek volledig gekalibreerd en met de volgende programmeerparameters.

INSTELPUNT (SET) pH="7,2"

BELANGRIJK: om te komen tot een correcte pH-regeling moet u zich ervan vergewissen dat de alkaliniteit van het water binnen het aanbevolen optimale bereik van 60-120 ppm CaCO₃ ligt. Gebruik een kit om het totale alkaliniteitsniveau van het water te controleren en pas handmatig aan indien nodig.

5.4.1. AANSLUITING VAN DE PH-SONDE

Sluit de pH-sensor die met de eenheid werd meegeleverd, aan op de overeenstemmende BNC-connector onderaan op de eenheid (Fig. 21).

5.4.2. AANSLUITING VAN DE DOSEERPOMP

De systemen van het model XX-PH beschikken onderaan over een connector voor de aansluiting van een doseerpomp waarmee de pH van het zwembadwater kan worden geregeld. De doseerpomp kan aangesloten worden met behulp van de CEE22-connector die daartoe samen met het apparaat werd geleverd (Fig. 21).

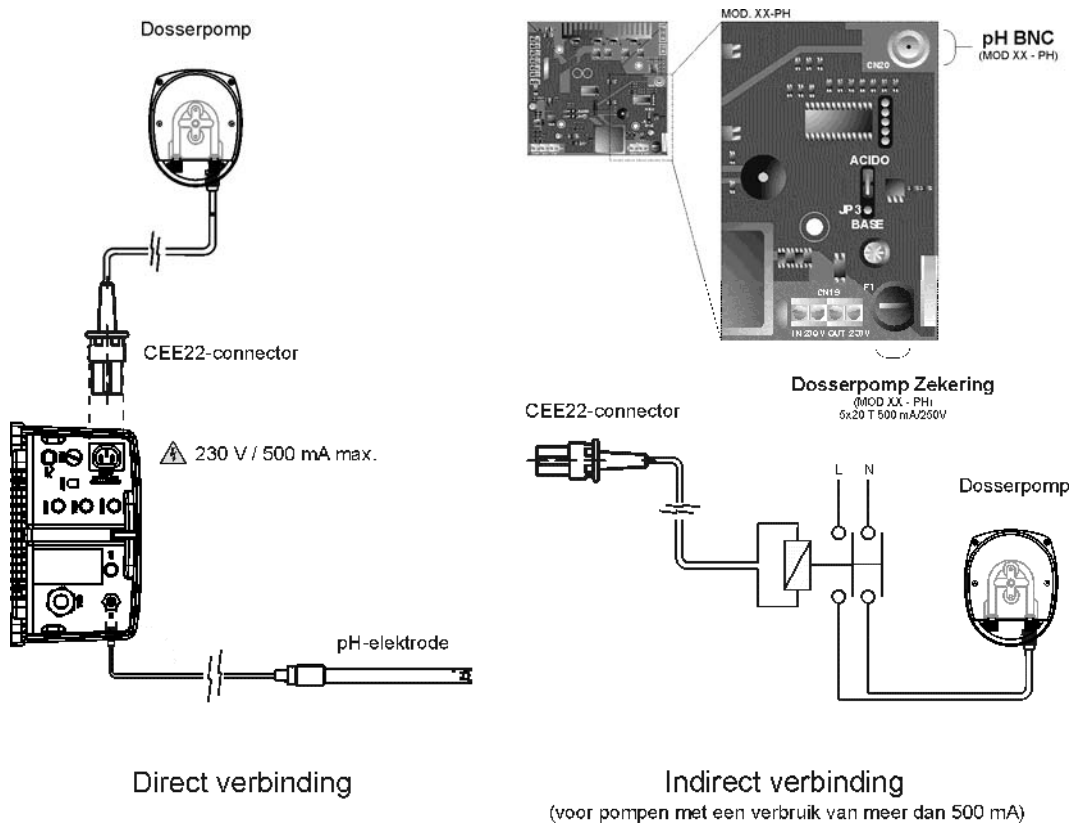


Fig. 21

5.4.3. PROGRAMMERING VAN DE GEWENSTE PH-WAARDE

Houd toets "SET" [7] ingedrukt totdat het scherm [10] de gewenste pH-waarde binnen het bereik 7,0 - 7,8 aangeeft. Na selectie laat u de toets los.

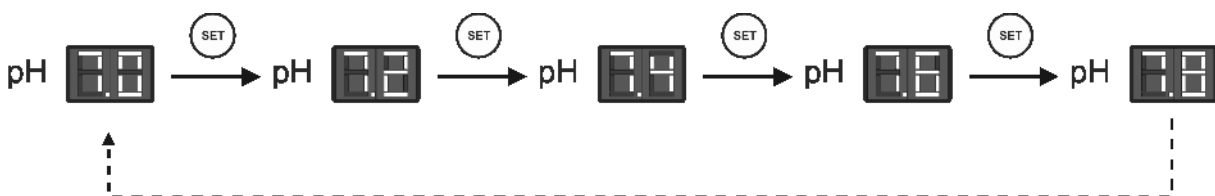


Fig. 22

Het geprogrammeerde pH-setpoint kan ook op elk moment worden geraadpleegd door eenmaal te drukken op de toets "SET" [7].

5.4.4. CONFIGURATIE VAN DE NOODSTOP VAN DE DOSEERPOMP (FUNCTIE PUMP-STOP)

De geïntegreerde pH-controller beschikt over een veiligheidssysteem (FUNCTIE PUMP-STOP) dat inwerkt op de doseerpomp en de volgende situaties helpt te vermijden:

- Schade aan de pomp bij werking zonder product (product pH-min op).
- Overdosering van het product ter vermindering van de pH (sensor beschadigd of niet-actief).
- Problemen bij het regelen van de pH door een verhoogde alkaliniteit in het water (zwembad vullen, hoge carbonaatniveaus).

Bij activering van de FUNCTIE PUMP-STOP (geconfigureerd bij defecten) zal het systeem de doseerpomp tot stilstand brengen na verloop van de geprogrammeerde tijd zonder dat de pH-instelwaarde bereikt is.

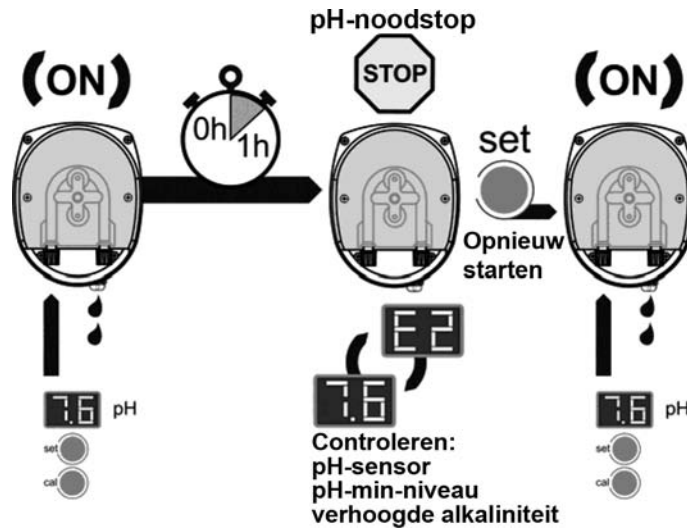


Fig. 22b

De FUNCTIE PUMP-STOP werd in de fabriek ingesteld op 60 MINUTEN. Om deze waarde te wijzigen, moet u als volgt te werk gaan:

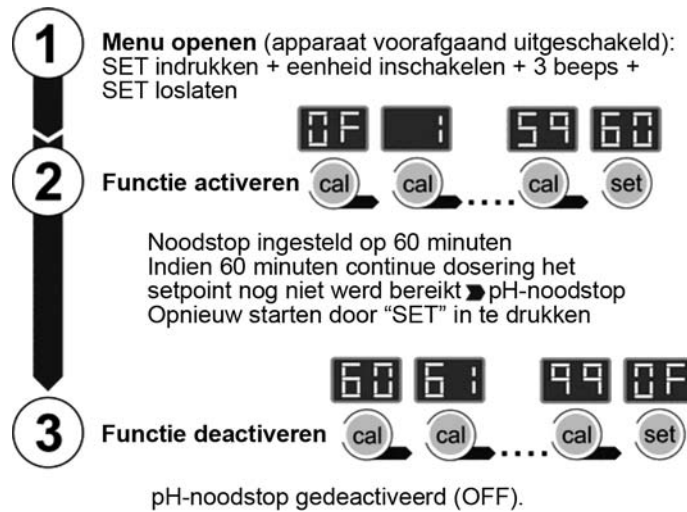


Fig. 22c

5.5. **Alarmen**

• **HOOG ZOUTNIVEAU**

Indien u teveel zout hebt toegevoegd, zal de voedingsbron het vermogensniveau in functie van de selectie automatisch verminderen. Het controlelichtje "salt" [4] zal blijven branden. In dat geval laat u een deel van het zwembadwater weglopen (bv. 10%) en voegt u vers water toe om de zoutconcentratie te verminderen. Om het precieze zoutgehalte te kennen, raden wij het gebruik van een draagbare zoutgehalte/temperatuurmeter aan.

• **LAAG ZOUTNIVEAU**

Indien het zoutgehalte in het zwembadwater lager ligt dan de aanbevolen waarde, zal de voedingsbron er niet in slagen om het geselecteerde saliniteitsniveau te bereiken. Het controlelichtje "salt" [4] begint te knipperen. Als de watertemperatuur onder 20°C daalt of als de elektrodenset aan het eind van zijn levensduur is gekomen, is het mogelijk dat het systeem een zoutwaarde aangeeft die onder de reële waarde ligt. In dat geval moet u het saliniteitsniveau van het water bepalen en de benodigde hoeveelheid zout toevoegen. Het aangegeven type gewoon zout (NaCl) voor de zoutelektrolyse mag geen additieven bevatten (verduunningsmiddelen, jodiden) en moet geschikt zijn voor menselijke consumptie. Om het precieze zoutgehalte te kennen, raden wij het gebruik van een draagbare zoutgehalte/temperatuurmeter aan.

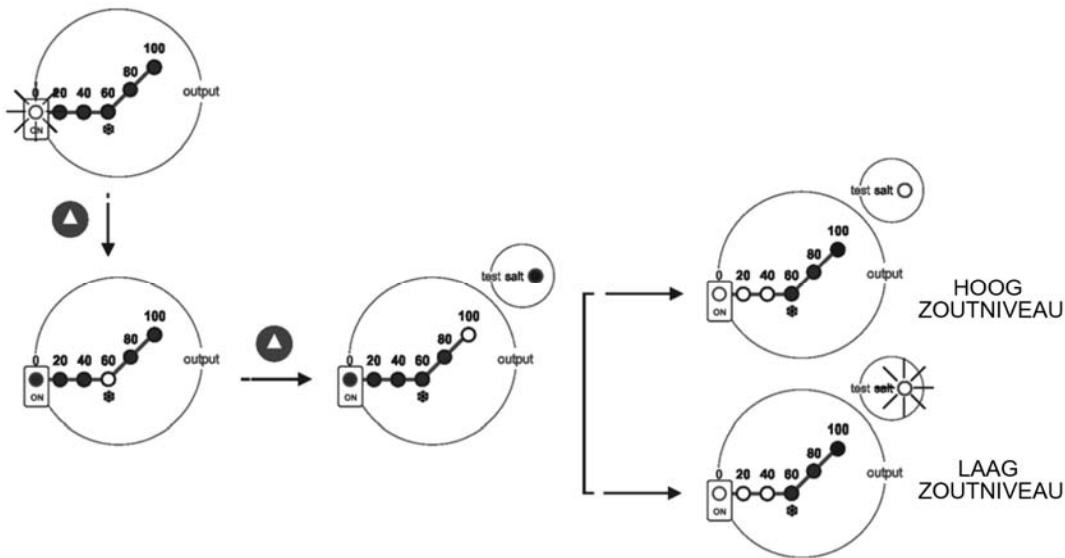
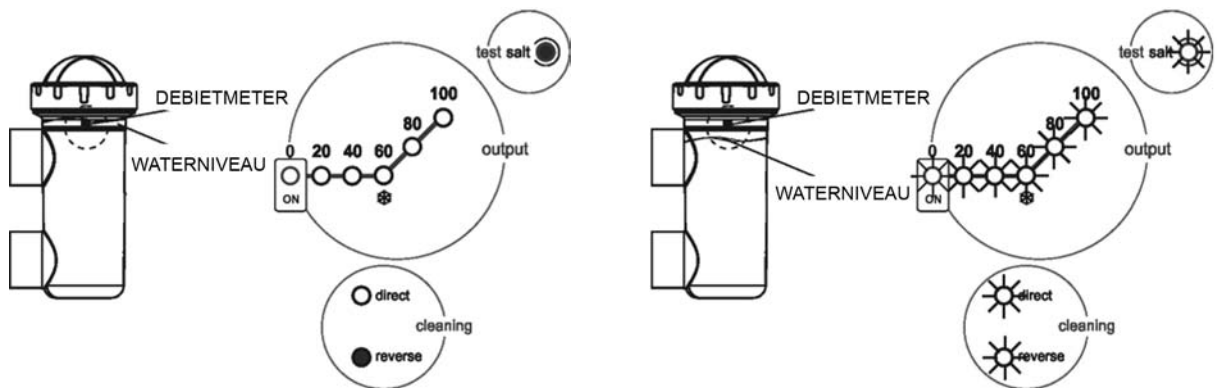


Fig. 23

• **WATERNIVEAU IN DE CEL / DEBIETMETER (GAS)**

Indien er zich op enig moment een lucht- of gasbel vormt in het bovenste gedeelte van de elektrolysecel en de DEBIETMETER niet langer ondergedompeld is, zal het systeem automatisch de stroomuitgang naar de elektroden afkoppelen, waardoor alle leds op het bedieningspaneel blijven knipperen. Het systeem zal automatisch opnieuw inschakelen zodra het water opnieuw vrij naar de cel kan stromen of de lucht-/gasbel verdwenen is.



1. Ondergedompelde gasdetector. Systeem operationeel.

2. Gas gedetecteerd. Systeem gestopt.

Fig. 24

- **EXTERNE BEDIENING [JP2] GEACTIVEERD**

Wanneer de externe controller een waarde vaststelt hoger dan het ingestelde setpoint, wordt de productie automatisch afgekoppeld en begint de led "0%" van de productieschaal [1] met tussenpozen te knipperen.

- **PH-WAARDE BUITEN BEREIK (alleen bij de modellen XX-PH)**

De geïntegreerde pH-controller telt twee ALARM-leds die steeds oplichten zodra er een abnormale pH-waarde wordt gedetecteerd: bij een waarde onder 6,5 "low" [8] of boven 8,5 "high" [9]. Zodra de regelaar een actief pH-alarm vaststelt, wordt de besturingsuitgang van de doseerpomp (pH) geopend, die om veiligheidsredenen afgekoppeld was.

6. ONDERHOUD

6.1. Onderhoud van de elektrolysecel

De cel moet aangepast worden onderhouden om een lange werkingduur te verzekeren. Het zoutelektrolysesysteem beschikt over een automatisch reinigingssysteem voor de elektroden om te vermijden dat er zich kalkaanslag op vormt, want het is niet mogelijk te voorzien wanneer een reiniging van de elektroden nodig is. Als het echter toch noodzakelijk zou zijn om de binnenkant van de cel te reinigen, dient u als volgt te werk te gaan:

1. Koppel de voedingsbron (230 V AC) van het apparaat af.
2. Draai de sluitmoer los aan het uiteinde waar de elektroden met elkaar in contact komen en verwijder de elektrodenset.
3. Gebruik een verdunde zoutzuuroplossing (1 deel zuur in 10 delen water), waarin u de elektrodenset gedurende maximaal 10 minuten onderdompelt.
4. DE CEL OF DE ELEKTRODEN NOOIT KRASSEN OF SCHAVEN.

De elektroden van een zoutelektrolysesysteem bestaan uit plaatjes in titanium, gecoat met een laag edelmetalloxides. De elektrolyseprocessen die zich op het oppervlak voordoen, zorgen voor een geleidelijke slijtage; bijgevolg dient u rekening te houden met de volgende aspecten om de levensduur ervan te optimaliseren:

1. Ofschoon het hier gaat om ZELFREINIGENDE zoutelektrolysesystemen, kan een langer gebruik van het systeem bij pH-waarden van meer dan 7,6 in water met een verhoogde hardheid ertoe leiden dat er zich kalkaanslag ophoopt op het oppervlak van de elektroden. Deze kalkaanslag zorgt voor een geleidelijke verslechtering van de coating, waardoor de levensduur van de elektroden vermindert.
2. Ook het frequent reinigen/wassen van de elektroden (zoals eerder beschreven) zal de levensduur inkorten.
3. Wanneer het systeem langdurig wordt gebruikt bij saliniteitswaarden van minder dan 3 g/l, kunnen de elektroden voortijdig beschadigd raken.
4. Frequent gebruik van algenbestrijdingsmiddelen met een hoog kopergehalte kan precies leiden tot de vorming van een dergelijke aanslag op de elektroden, waardoor de coating geleidelijk aan beschadigd raakt. Bedenk dat chloor het beste middel is ter bestrijding van algen.

6.2. Kalibratie van de pH-elektrode (alleen bij de modellen XX-PH)

De geïntegreerde pH-controller beschikt over twee kalibratiemodi voor de pH-elektrode: "FAST" (snel) en "STANDAARD". Het is raadzaam om de pH-elektrode minstens eenmaal per week te kalibreren.

6.2.1. MODUS "FAST"

In de modus "FAST" kan de elektrode routinematig worden gekalibreerd voor er zich kleine afwijkingen voordoen, **zonder dat deze uit de installatie moet worden verwijderd of dat er standaardoplossingen moeten worden gebruikt.**

PROCEDURE:

1. Zorg ervoor dat het punt waar de elektrode is ingebouwd, ondergedompeld is, en dat de zuiveringsinstallatie in recirculatie draait.
2. Met behulp van een pH-meetset meet u de actuele pH van het zwembadwater.
3. Druk gedurende ongeveer 5 seconden op de toets "CAL" [6] totdat het apparaat gaat piepen, laat de toets vervolgens los. Het scherm waarop de geprogrammeerde pH-waarde wordt weergegeven [10], vermeldt de waarde "7,0" die knippert.
4. Houd de toets "SET" [7] ingedrukt totdat de pH-waarde verschijnt die eerder met behulp van de vermelde set werd gemeten. Zodra dat gebeurt, laat u de toets los en drukt u de toets "CAL" [6] in. Als er geen enkele fout werd vastgesteld, is het systeem nu gekalibreerd.

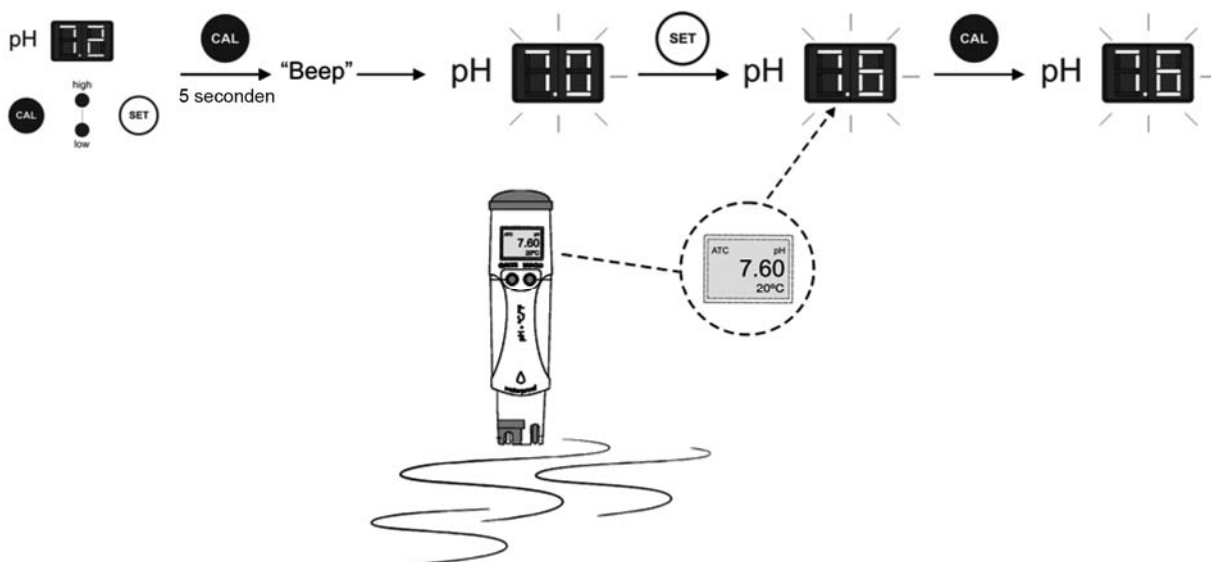


Fig. 25

6.2.2. MODUS "STANDAARD"

In de modus "STANDAARD" kan de elektrode nauwkeurig worden gekalibreerd met behulp van standaardoplossingen pH 7,0 en 4,0, maar daarvoor moet de elektrode uit de installatie worden gehaald.

PROCEDURE:

BELANGRIJK: voor u overgaat tot het sluiten van de bypasskleppen, moet het systeem worden uitgeschakeld zoals beschreven in punt 5.1.

1. Haal de elektrode uit de sondehouder en was ze met veel water.



Fig. 26

2. Druk de toets "CAL" [6] gedurende ongeveer 5 seconden in totdat het apparaat een piepgeluid laat horen, en zonder deze toets los te laten drukt u vervolgens de toets "SET" [7] enkele seconden in, totdat het scherm waarop de pH wordt weergegeven [10], een knipperende waarde "7,0" vermeldt.
3. Schud voorzichtig met de elektrode zodat de waterdruppels die er eventueel aan vastzitten, loskomen en dompel ze onder in de standaardoplossing pH=7,0 (groene kleur). Schud voorzichtig gedurende enkele seconden en druk op de toets "CAL" [6]. Zodra de lezing gestabiliseerd is, verschijnt op het scherm [10] een knipperende waarde "4,0".

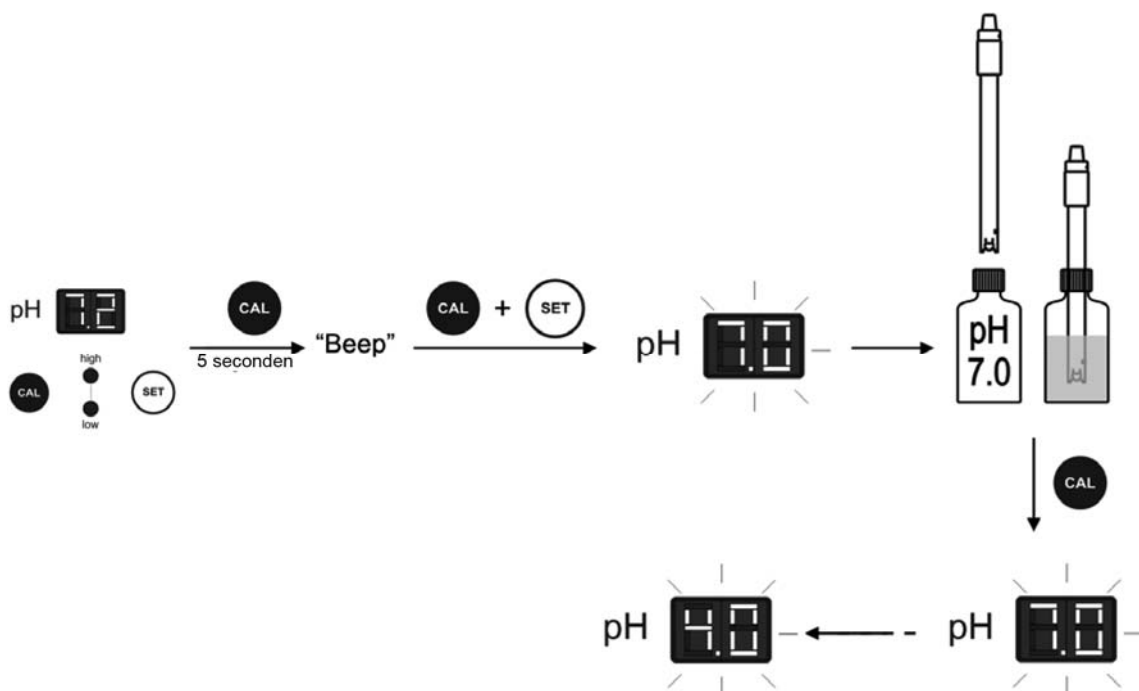


Fig. 27

4. Haal de elektrode uit de oplossing en spoel ze met veel water.
5. Schud voorzichtig met de elektrode zodat de waterdruppels die er eventueel aan vastzitten, loskomen en dompel ze onder in de standaardoplossing pH=4,0 (rode kleur). Schud voorzichtig gedurende enkele seconden en druk op de toets "CAL" [6]. Zodra de lezing gestabiliseerd is, zal de regelaar automatisch de kalibratiemodus verlaten en operationeel worden.

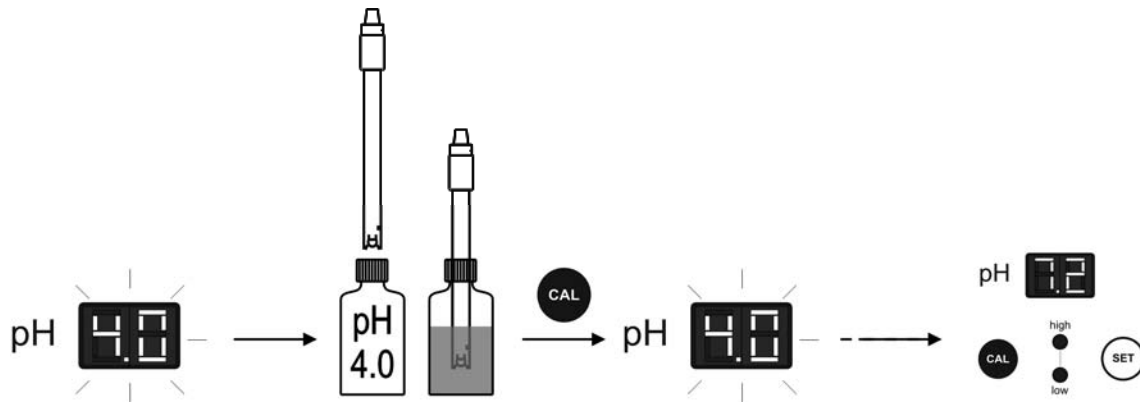





Fig. 28

FOUTMELDINGEN:

- pH  Als het kalibratieproces om eender welke reden wordt onderbroken, zal de regelaar de kalibratiemodus na enkele seconden automatisch verlaten, zonder enige tussenkomst van de gebruiker. In dat geval verschijnt enkele ogenblikken de melding "E1" op het scherm [10].
- pH  Indien de pH-waarde die tijdens de kalibratie werd vastgesteld, sterk verschilt van de verwachte waarde (bv. defecte sonde ...), zal op het scherm [10] de melding "E2" verschijnen, waardoor geen kalibratie mogelijk is.
- pH  Als de pH-meting tijdens het kalibratieproces instabiel is, verschijnt de code "E3" op het scherm [10]. Ook in dat geval kan de elektrode niet worden gekalibreerd.

6.3. Onderhoud van de pH-sensor

1. Controleer dat het elektrodemembraan te allen tijde nat blijft.
2. Indien u van plan bent de elektrode gedurende lange tijd niet te gebruiken, moet u ze ondergedompeld in een bewaaroplossing met pH=4,0 bewaren.
3. Vermijd om mogelijk vuil van de elektrode te verwijderen met behulp van schurende materialen die krassen kunnen aanbrengen op het meetoppervlak.
4. **De pH-sensor is een slijtageonderdeel dat na een zekere gebruiksduur moet worden vervangen.**

7. PROBLEMEN / OPLOSSINGEN

Bij iedere actie die vereist is om mogelijke problemen in het apparaat op te lossen, moet altijd eerst de aansluiting met het elektriciteitsnet worden verbroken. Problemen die niet voorkomen in de onderstaande lijst, dienen opgelost te worden door een gekwalificeerd technicus.

PROBLEEM	OPLOSSING
De productie-indicator geeft altijd "0" aan, ongeacht het geselecteerde productieniveau	<p>De elektroden controleren.</p> <p>De verbindingen tussen de voedingsbron en de elektrolysecel controleren.</p> <p>De zoutconcentratie controleren.</p>
De voedingsbron schakelt niet aan	<p>Controleren of het systeem correct is aangesloten op 230 V/50-60 Hz in de schakelkast van het zwembad.</p> <p>De stand van de zekering in het onderste gedeelte van het apparaat controleren.</p>
De vrije chloorniveaus in het water zijn te laag	<p>Controleren of het systeem chloor produceert in de impulselementen.</p> <p>Controleren of de chemische parameters van het water (pH, gecombineerd chloor, isocyaanzuur) correct zijn.</p> <p>De filtertijd verhogen.</p> <p>Chloorstabilisator (cyaanzuur) toevoegen tot een niveau van 25 - 30 g/m³ is bereikt.</p>
De pH-controller geeft altijd oude waarden aan of de lezingen zijn instabiel	<p>De verbindingenkabel van de pH-sensor is beschadigd. Reinig de contacten of vervang de kabel.</p> <p>De pH-sensor bevat een luchtbel in de membraanzone. Installeer de sensor verticaal. Voorzichtig schudden totdat de luchtbel verdwijnt.</p> <p>Storing in de pH-sensor. De verbindingenkabel is te lang of bevindt zich in de buurt van elektromagnetische storingsbronnen (motoren ...). Vervang de sensor. Installeer het apparaat zo dicht mogelijk bij de sensor.</p>
De pH-sensor is niet te kalibreren	<p>De kalibratieoplossing is vervallen of vervuild.</p> <p>De membraan van de sensor is geblokkeerd. Controleer of de membraan niet beschadigd is. De sensor reinigen met in water verdund zuur, voorzichtig schudden.</p> <p>Storing in de sensor. Vervangen door een nieuwe sensor.</p>
Traag reagerende pH-sensor	<p>Sensor elektrostatisch belast. Tijdens de kalibratiefase mogen de sensoren niet afgedroogd worden met papier of vezelmateriaal. Uitsluitend reinigen met water en voorzichtig schudden.</p> <p>Ontoereikende vernieuwing van het geanalyseerde water (geen stromend water in het analysepunt). Controleren of het uiteinde van de sensor ondergedompeld is aan het analysepunt, en of er geen luchtballen voorkomen.</p>

8. TECHNISCHE KENMERKEN

TECHNISCHE SPECIFICATIES

Standaard bedrijfsspanning

230V AC - 50/60 Hz

Kabel: 3 x 1,0 mm², lengte 2 m

MOD. 7	0.2 A
MOD. 12	0.4 A
MOD. 21	0.4 A
MOD. 30	0.8 A
MOD. 40	0.9 A

Zekering

MOD. 7	1 A T (5x20 mm)
MOD. 12	2 A T (5x20 mm)
MOD. 21	2 A T (5x20 mm)
MOD. 30	3.15 A T (5x20 mm)
MOD. 40	4 A T (5x20 mm)

Uitgangsspanning

Kabel 3 x 2.5 mm², lengte 2 m

MOD. 7	10,5 VDC / 3,5 A
MOD. 12	10,5 VDC / 6,0 A
MOD. 21	23,0 VDC / 3,5 A
MOD. 30	20,0 VDC / 6,0 A
MOD. 40	24,0 VDC / 6,5 A

Productie

MOD. 7	6 - 7 g/u
MOD. 12	10 - 12 g/u
MOD. 21	17 - 21 g/u
MOD. 30	24 - 30 g/u
MOD. 40	31 - 40 g/u

Min. recirculatie debiet

MOD. 7	1 m ³ /u
MOD. 12	2 m ³ /u
MOD. 21	3 m ³ /u
MOD. 30	5 m ³ /u
MOD. 40	6 m ³ /u

Aantal elektroden

MOD. 7	3
MOD. 12	5
MOD. 21	7
MOD. 30	11
MOD. 40	13

Nettogewicht (verpakking inbegrepen)

MOD. 7	9 kg
MOD. 12	11 kg
MOD. 21	13 kg
MOD. 30	15 kg
MOD. 40	17 kg

ALGEMENE KENMERKEN

Controlesysteem

- Microprocessor
- Membraantoetsenbord met bedieningsdrukknoppen en indicator-leds voor de werking
- Bedieningsin-/uitgangen: 2 ingangen van het type spanningsloos contact voor de status automatische afdekking en controller voor ORP/resterend chloor.
- Celuitgang: productiecontrole (5 afzonderlijke niveaus)
- Zoutbereik / Temperatuurbereik 3 - 12 g/l / +15 - 40°C
- Geïntegreerde pH-controller (alleen bij de modellen XX-PH)

Zelfreiniging

Automatisch, via polariteitsinversie

Werktemperatuur

van 0°C tot +.50°C

Koeling via natuurlijke convectie

Materiaal

- Voedingsbron
- ABS
- Elektrolysecel en sondehouder
- Transparant methacrylaat

pH-sensor (modellen XX- PH)

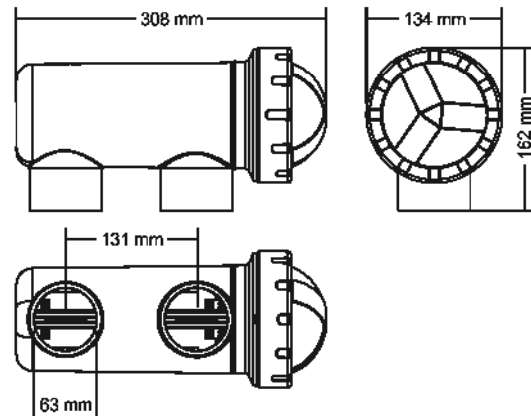
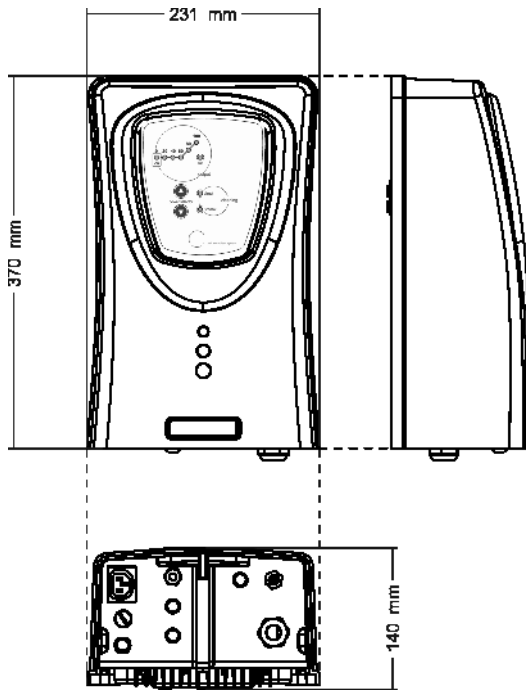
Lichaam: plastic (kleur: blauw)

Bereik 0 -12 pH

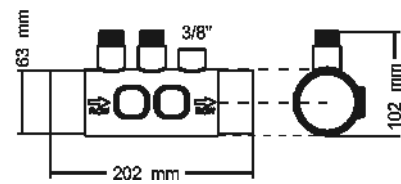
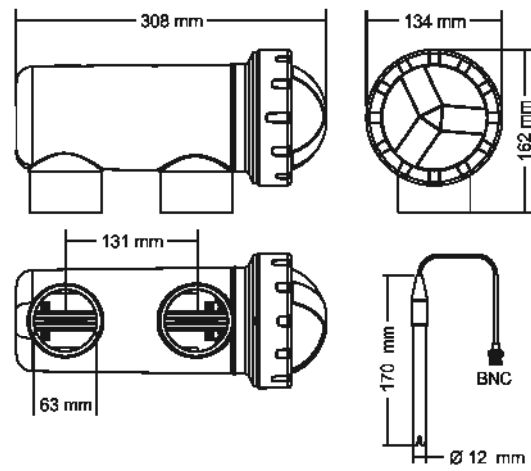
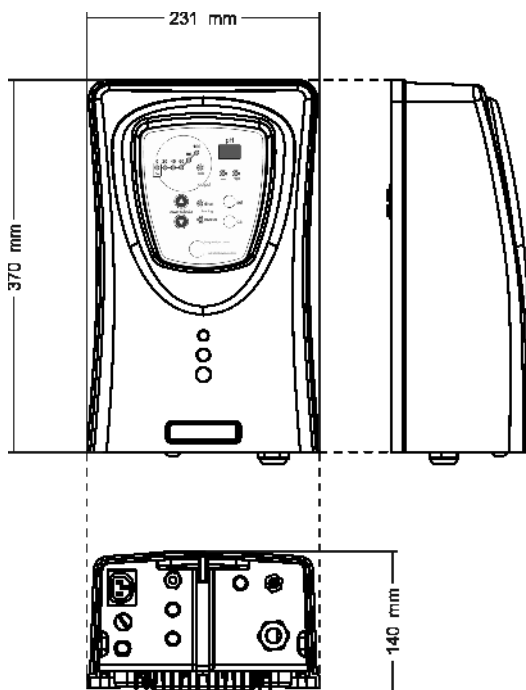
Vaste elektrolyt

Afmetingen

MOD. XX



MOD. XX-PH



9. GARANTIEVOORWAARDEN

9.1. ALGEMENE ASPECTEN

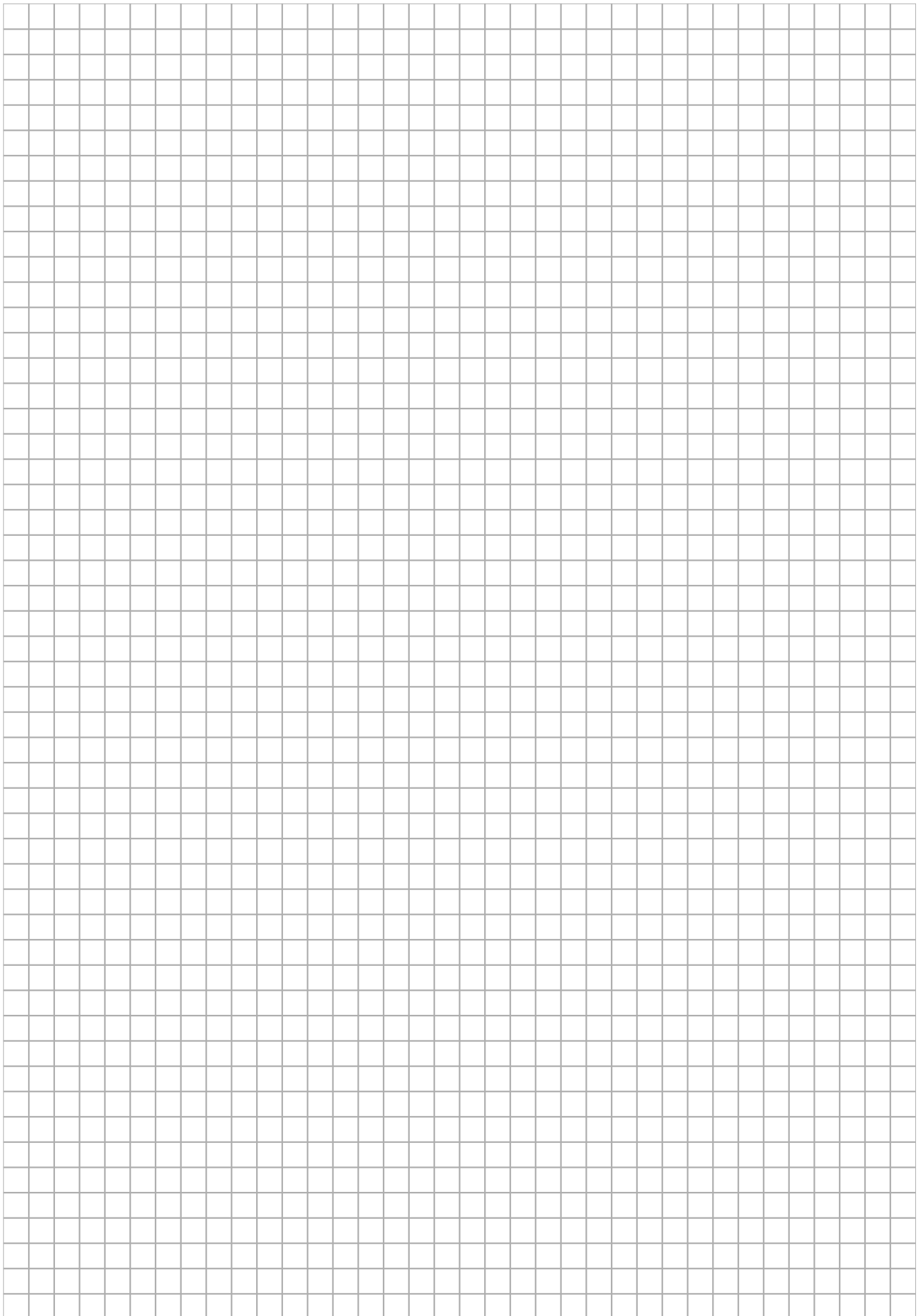
- 9.1.1. In overeenstemming met deze bepalingen garandeert de verkoper dat het product waarvoor deze garantie geldt, op het ogenblik van de levering geen conformiteitsgebreken vertoont.
- 9.1.2. De totale garantieperiode bedraagt 2 JAAR.
- 9.1.3. De garantieperiode loopt vanaf het ogenblik waarop het product aan de koper wordt geleverd. Voor de elektrode geldt een garantieperiode van 2 JAAR (of 3000 uren), zonder verlengingen. Voor de pH-sensoren geldt een garantieperiode van 6 MAANDEN, zonder verlengingen.
- 9.1.4. Indien er zich een probleem stelt met betrekking tot de conformiteit van het product en de koper laat dit tijdens de garantieperiode weten aan de verkoper, dan zal de verkoper het product voor eigen rekening moeten herstellen of vervangen, afhankelijk van wat hij opportuun vindt, tenzij dit onmogelijk of buiten proportie is.
- 9.1.5. Wanneer het product niet hersteld of vervangen kan worden, kan de koper een korting aanvragen in verhouding tot de prijs of, als het conformiteitsprobleem voldoende belangrijk is, de verbreking van de verkoopovereenkomst.
- 9.1.6. De onderdelen die krachtens deze garantie vervangen of hersteld zijn, zorgen niet voor een uitbreiding van de garantietermijn van het originele product, maar er geldt wel een eigen garantie voor deze onderdelen.
- 9.1.7. Deze garantie kan pas ingeroepen worden, nadat de koper de datum van aankoop en levering van het product heeft aangetoond met de nodige bewijsdocumenten.
- 9.1.8. Wanneer er meer dan zes maanden verlopen zijn sinds de levering van het product aan de koper en het aangehaalde conformiteitsprobleem met het product, zal de koper de oorsprong en het bestaan van het vermelde defect moeten aantonen.
- 9.1.9. Dit garantiecertificaat vormt geen beperking of vooroordeel met betrekking tot de consumentenrechten krachtens de bindende nationale normen.

9.2. BIJZONDERE VOORWAARDEN

- 9.2.1. Deze garantie is pas rechtsgeldig als de koper de aanwijzingen van de fabrikant vermeld in de documentatie bij het product strikt opvolgt, wanneer dat van toepassing blijkt volgens het gamma of het model van het product.
- 9.2.2. Wanneer een specifieke planning is opgesteld voor de vervanging, het onderhoud of de reiniging van bepaalde onderdelen of componenten van het product, zal de garantie enkel gelden als deze planning correct is gevolgd.

9.3. BEPERKINGEN

- 9.3.1. Deze garantie zal enkel gelden voor verkopen aan consumenten, waarbij men met "consument" iedere persoon bedoelt die het product aankoopt voor andere dan professionele doeleinden.
- 9.3.2. Er wordt geen garantie verleend voor normale slijtage die te wijten is aan het gebruik van het product, noch voor vervangbare of verbruikbare onderdelen, componenten en/of materialen (met uitzondering van de elektrode).
- 9.3.3. De garantie geldt niet voor gevallen waarbij het product: (i) foutief is gebruikt; (ii) gecontroleerd, hersteld, onderhouden of gebruikt is door niet daartoe gemachtigde personen; (iii) hersteld of onderhouden is met andere dan originele onderdelen en (iv) op een verkeerde manier is geïnstalleerd of in werking gesteld.
- 9.3.4. Wanneer het conformiteitsprobleem van het product het gevolg is van een verkeerde installatie of ingebruikstelling, zal deze garantie enkel kunnen worden aangesproken wanneer de bedoelde installatie of ingebruikstelling opgenomen was in een koopovereenkomst betreffende het product en gerealiseerd werd door de verkoper of op diens verantwoordelijkheid.
- 9.3.5. Schade aan of storingen in het product die het gevolg zijn van een van de volgende oorzaken:
 - Onaangepaste systeempogrammering en/of kalibratie van de pH/ORP-sensoren door de gebruiker.
 - Werking bij saliniteitswaarden van minder dan 3 g/l natriumchloride en/of temperaturen onder 15°C of boven 40°C.
 - Werking bij een pH-waarde van meer dan 7,6.
 - Expliciet gebruik van niet-toegelaten chemicaliën.
 - Blootstelling aan corrosieve omgevingen en/of temperaturen onder 0°C of boven 50°C.



EN PRODUCTS
FR PRODUITS
ES PRODUCTOS
IT PRODOTTI
DE PRODUKTE
PT PRODUTOS
NE PRODUCTEN

SALT ELECTROLYSIS SYSTEM
SYSTÈME D'ÉLECTROLYSE SALINE
SISTEMA DE ELECTROLISIS DE SAL
SISTEMA D'ELETTROLISI SALINA
SALZ-ELEKTROLYSE-SYSTEM
SISTEMA DE ELECTRÓLISE SALINA
ZOUTELEKTROLYSESYSTEME

MOD. 7 / MOD. 7-PH
MOD. 12 / MOD. 12-PH
MOD. 21 / MOD. 21-PH
MOD. 30 / MOD. 30-PH
MOD. 40 / MOD. 40-PH

DECLARATION EC OF CONFORMITY

The products listed above are in compliance with:

Low Voltage Directive (LVD) 2006/95/EC.
Electromagnetic Compatibility Directive (CEM)
2004/108/EC.
ROHS Directive 2011/65/EC.

DÉCLARATION CE DE CONFORMITÉ

Les produits énumérés ci-dessus sont conformes à:

La Directive des Appareils à Basse Tension (LVD)
2006/95/EC.
La Directive de Compatibilité Électromagnétique (CEM)
2004/108/EC.
La Directive ROHS 2011/65/EC.

DECLARACION CE DE CONFORMIDAD

Los productos arriba enumerados se hallan conformes con:

Directiva de Equipos de Baja Tensión (LVD) 2006/95/EC.
Directiva de Compatibilidad Electromagnética (CEM)
2004/108/EC.
Directiva ROHS 2011/65/EC.

DICHIARAZIONE CE DI CONFORMITÀ

I prodotti di cui sopra adempiono alle seguenti direttive:

Direttiva per gli Apparecchi a Bassa Tensione (LVD)
2006/95/EC.
Direttiva di Compatibilità elettromagnetica (CEM)
2004/108/EC.
Direttiva ROHS 2011/65/EC.

KONFORMITÄT SERKLÄRUNG CE

Die oben aufgeführten Produkte sind konform mit:

Richtlinie für Niederspannungsanlagen (LVD) 2006/95/EC.
Richtlinie zur elektromagnetischen Kompatibilität (CEM)
2004/108/EC.
Richtlinie ROHS 2011/65/EC.

DECLARAÇÃO CE DE CONFORMIDADE

Os produtos relacionados acima estão conformes as:

Directiva de Equipamentos de Baixa Tensão (LVD)
2006/95/EC.
Directiva de Compatibilidade Electromagnética (CEM)
2004/108/EC.
Directiva ROHS 2011/65/EC.

EG-VERKLARING VAN OVEREENSTEMMING

De onderstaande producten zijn conform met:

de Laagspanningsrichtlijn 2006/95/EEG
de Richtlijn inzake elektromagnetische compatibiliteit
2004/108/EEG
de Richtlijn ROHS 2011/65/EC.

Signature / Qualification:

Signature / Qualification:


Firma / Cargo:

Firma / Qualifica:

Unterschrift / Qualifizierung:

Assinatura / Título:

Handtekening / Kwalificatie:



Gaspar Sánchez Cano
Gerente

I.D. ELECTROQUIMICA, S.L.
Pol. Ind. Atalayas, Dracma R-19
E-03114 ALICANTE. Spain.

02-04-2012

We reserve to change all or part of the articles or contents of this document, without prior notice
Nous nous reservons le droit de modifier totalment oru en partie les caracteristiques de nos articles ou le contenu de ce document sans pré avis
Nos reservamos el derecho de cambiar total o parcialmente las características de nuestros artículos o el contenido de eeste documento sin previo aviso
Ci riservamo il dritto di cambiare totalmente o parzialmente le caratatteristiche technique dei nostri prodotti ed il cotenuto di questo documntosenza nessun preavviso
Wir behalten uns das recht vor die eigenschatten unserer produkte oder den inhalt dieses prospektes teilweise oder vollstanding, ohne vorherige benachichtigung zu andern
Reservamo-nos no dereito de alterar, total ou parcialmente as características dos nossos artigos ou o coteúdo deste documento sem aviso prévio.
We behouden ons het recht voor om de kenmerken van onze producten of de inhoud van dit document zonder voorafgaande kennisgeving geheel of gedeeltelijk te veranderen