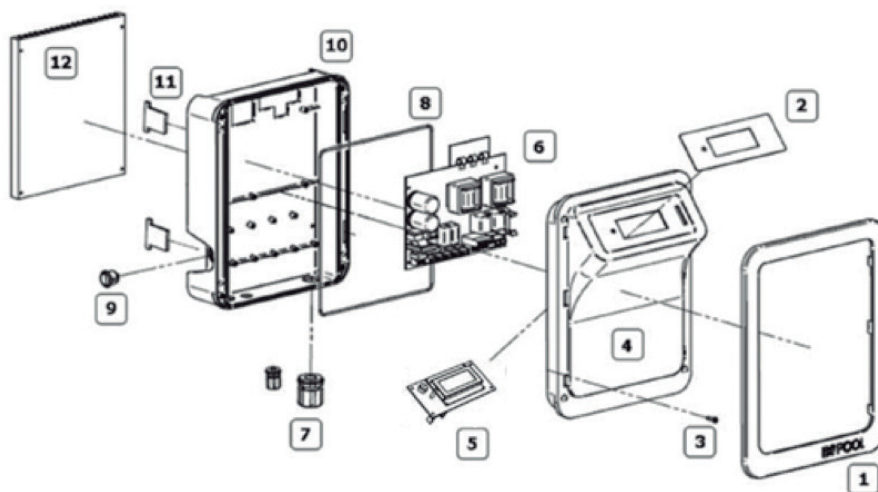


N-BSSALT₁₀, N-BSSALT₁₅, N-BSSALT₂₀, N-BSSALT₂₅, N-BSSALT₃₅



	Referencia Reference	Descripción Description	Observaciones Notes
1	EVO2-EM-V	Embellecedor / Fram	✓
2	TECLADO-BSSALT-D	Teclado / Keyboard	✓
3	CL8iZ	Tornillos tapa / Cover screws	✓
4	EVo 2-TAPA-N	Tapa / Cover	✓
5	P909-7	Placa de control / Control board	✓
6	P927-4	Placa de potencia / Power board	N-BSSALT ₁₀ - 15
6a	P950-3	Placa de potencia / Power board	N-BSSALT ₂₀ - 25
6b	P953-2	Placa de potencia / Power board	N-BSSALT ₃₅
7	M25JSL-N	Prensaestopas / Compression gland	✓
7a	M20JSL-N	Prensaestopas / Compression gland	✓
8	JUNTA 01	Junta / Waterproof seal	✓
9	R13112AAA	Interruptor / Switch	✓
9a	F0188LOAAA	Protector de interruptor / Switch protector	✓
10	10 EVo-BASE-N	Base caja EVo / EVo base box	✓
11	BISAGRA-GOMA	Bisagra / Hinge strap	✓
12	KPA200/228/EVo	Radiador / Heatsink	N-BSSALT ₁₀ - 15
12a	KK200/233/M/K-EVo	Radiador / Heatsink	N-BSSALT ₂₀ - 25
12b	KK200/233/M/K-EVo	Radiador / Heatsink	N-BSSALT ₃₅