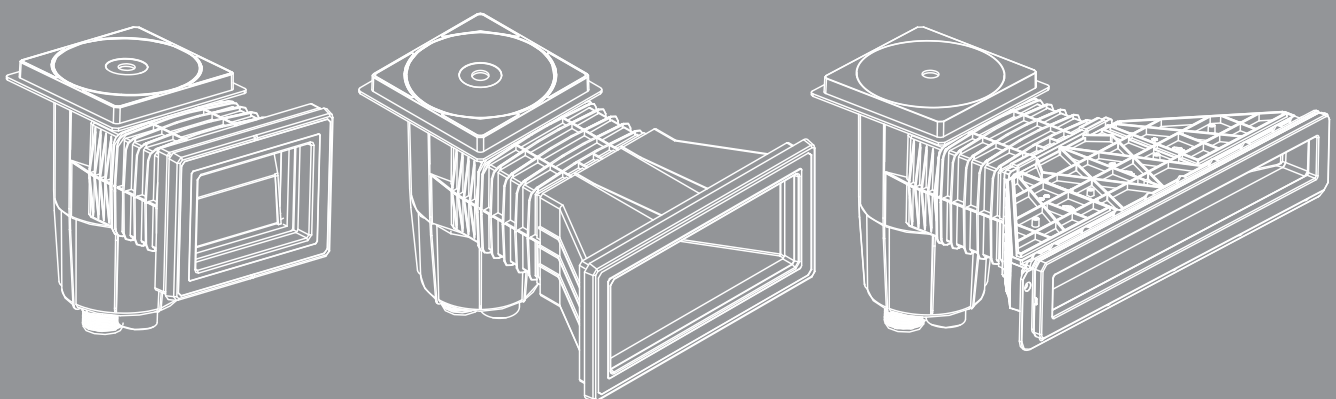




SKIMMER

EM0130 EM0140 EM0180



USER MANUAL

**Models: EM0130-SC / EM0130-SV / EM0130TS-SV
EM0140-SC / EM0140-SV / EM0140TS-SC / EM0140TS-SV
EM0180-SC / EM0180-SV / EM0180TS-SC / EM0180TS-SV**

IMPORTANT

- This instruction manual includes essential information on the safety measures to be implemented for installation and start-up. Therefore, the installer and the user must read the instructions before starting installation and start-up.
- Keep this manual for future reference.

1.5L SKIMMER

The skimmer is a wall drain that conveys surface water the water to the filter pump. The 15L skimmer is a large-size basket option. Skimmers are used to collect large debris (leaves, blades grass, insects, etc.) on the water surface.

The standard skimmer for general use.

The wide mouth skimmer extends the receiving area and increases the water collection.

Skimmers are generally installed with the mouth as near to the top edge of the pool as possible.

AVAILABLE MODELS

With brass inserts

	Concrete pool	Code	Vinyl pool	Code
Standard Skimmer	EM0130-SC	91600318	EM0130-SV	91600316
Wide Mouth Skimmer	EM0140-SC	91601313	EM0140-SV	91601014
Surface Skimmer	EM0180-SC	91601022	EM0180-SV	91601023

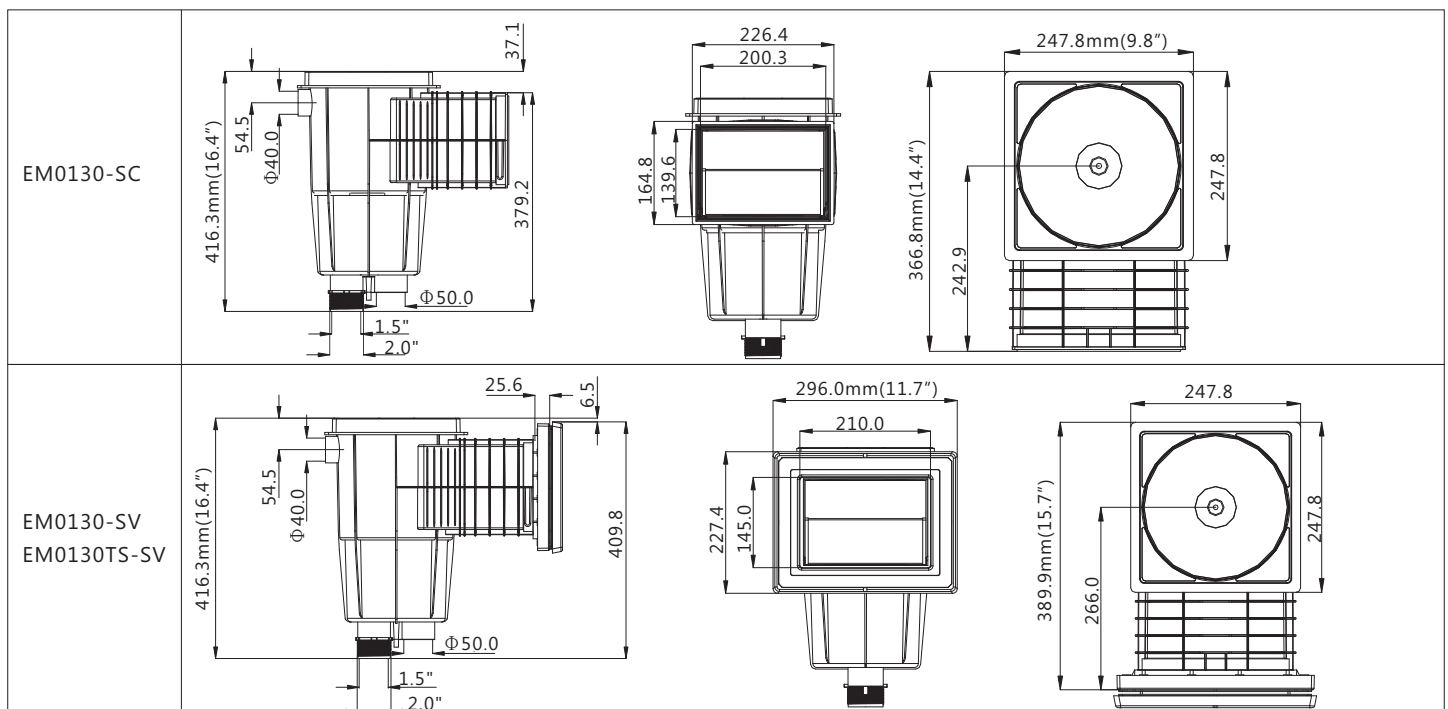
Without brass inserts

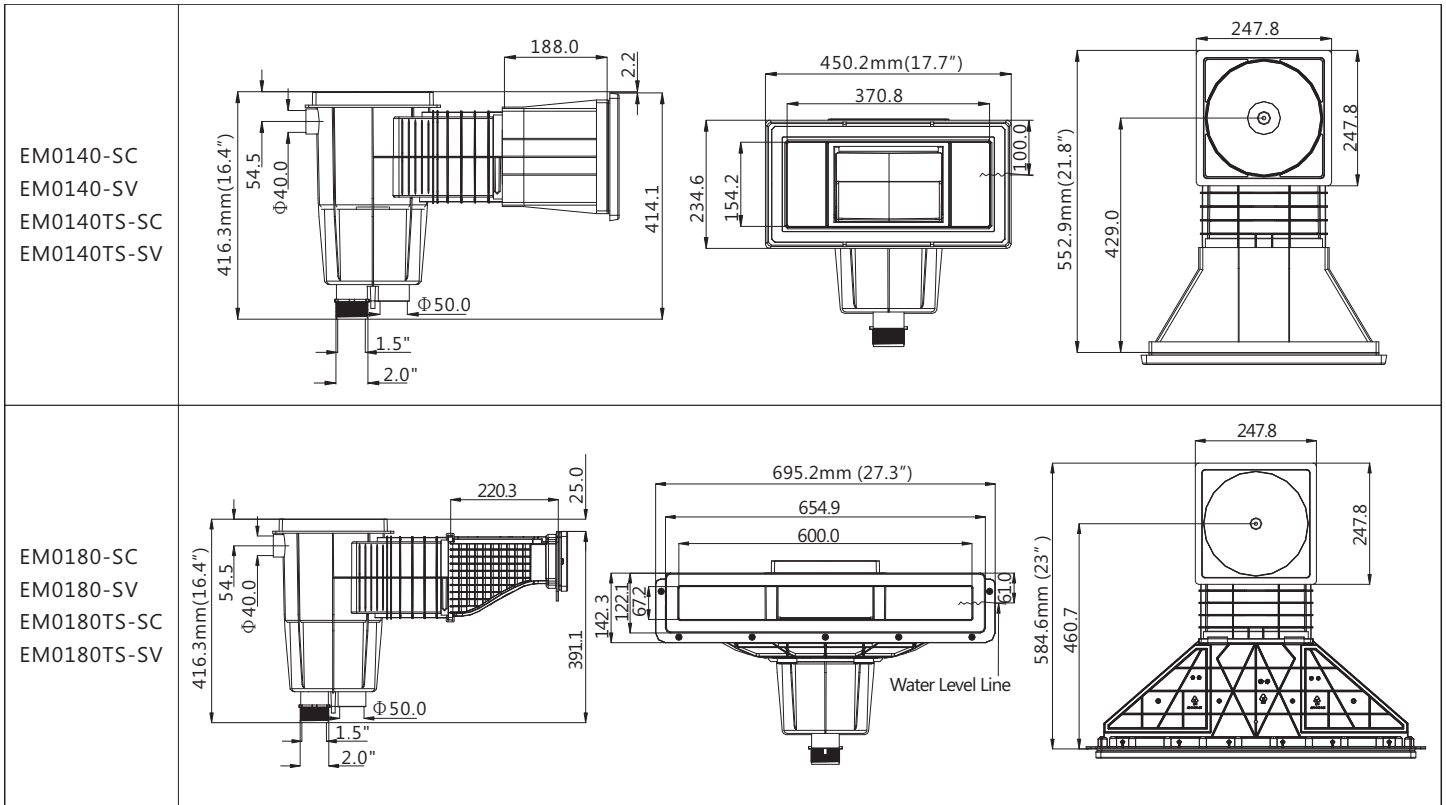
	Concrete pool	Code	Vinyl pool	Code
Standard Skimmer	/	/	EM0130TS-SV	91600320
Wide Mouth Skimmer	EM0140TS-SC	91601016	EM0140TS-SV	91601017
Surface Skimmer	EM0180TS-SC	91601024	EM0180TS-SV	91601025

Specification

Model No.	Opening size, mm (inch)	Basket Capacity, mm (inch)	Overall height, mm (inch)	Depth, mm (inch)
EM0130-SC	200.3(7.9") x199.6(7.9")	ϕ 160.0(6.3") x99.0(3.9")	416.3 (16.4")	367.0 (14.5")
EM0130-SV/EM0130TS-SV	210.0(7.9") X145.0(5.7")	ϕ 160.0(6.3") x99.0(3.9")	416.3 (16.4")	390.0 (15.4")
EM0140 series	370.8(14.6") x154.2(6.1")	ϕ 160.0(6.3") x99.0(3.9")	416.3 (16.4")	553.0 (21.8")
EM0180 series	600.0 (23.6") x 67.2 (2.7")	ϕ 160.0(6.3") x99.0(3.9")	416.3 (16.4")	585.0 (23.0")

Size





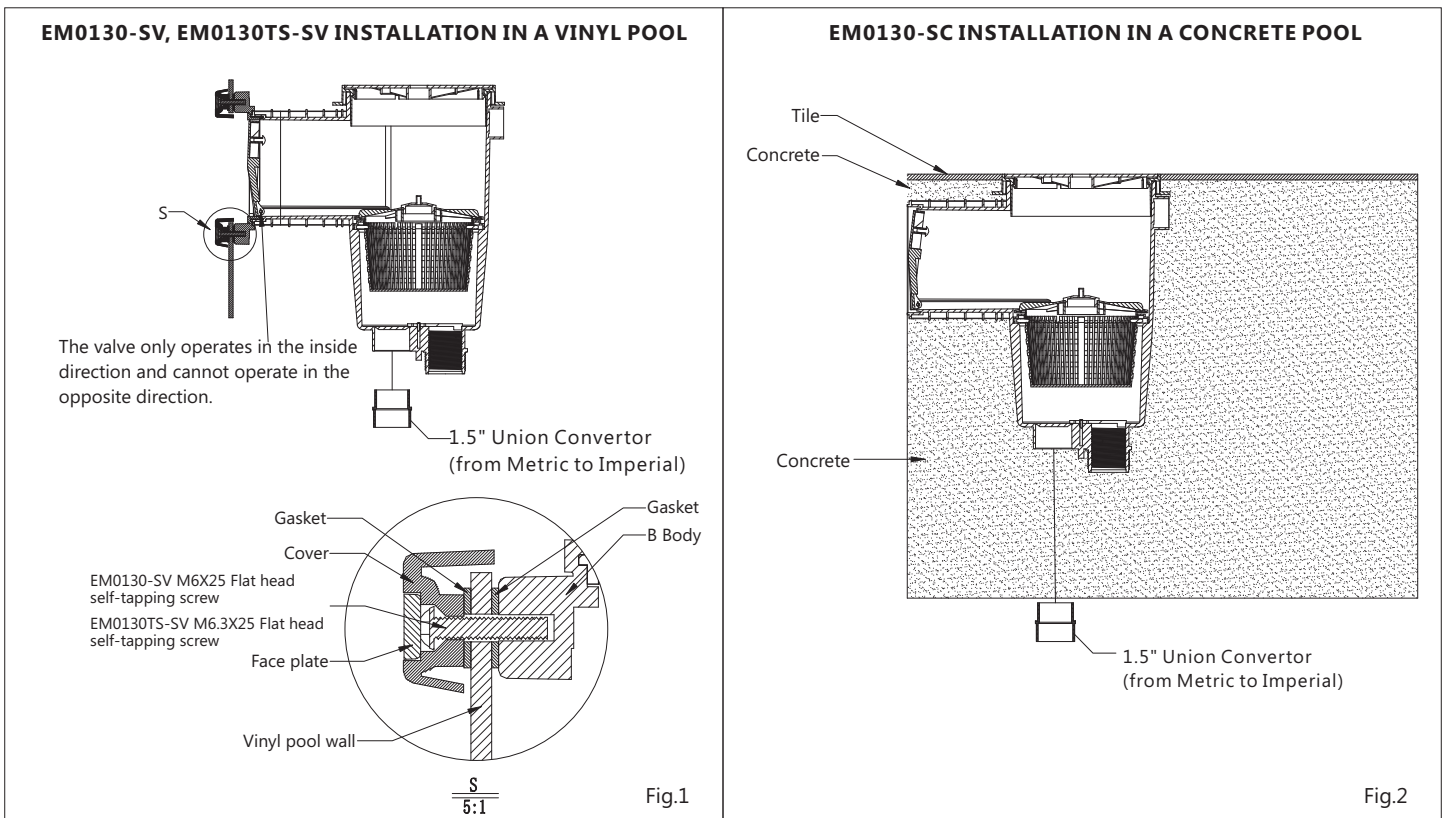
INSTALLATION

We recommend installing 1 skimmer per 25 m² of pool water surface area, for a flow rate not exceeding 5 m³/h. In a residential pool, skimmers are generally installed in the deep end wall. For a pool that requires more than 3 skimmers, skimmers can be installed along the side walls of the pool. In both cases, the skimmer(s) should be positioned on the opposite wall to the inlet jets. Depending on the selected skimmer type, installation should follow Fig.1 to Fig.6.

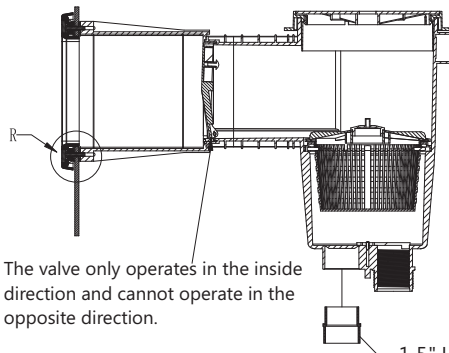
To avoid damage to the pump, the water level should be maintained at approximately 3/4 up the skimmer mouth to prevent air being sucked into the system allowing the pump to run dry.

Warning:

The cover and the basket are installed with a bayonet system. They should be turned until the two sides of the cover or basket match with the body to unlock them before withdrawing them.



EM0140-SV, EM0140TS-SV INSTALLATION IN A VINYL POOL



The valve only operates in the inside direction and cannot operate in the opposite direction.

1.5" Union Converter
(from Metric to Imperial)

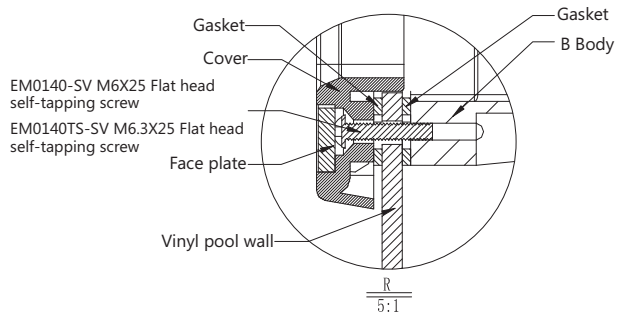
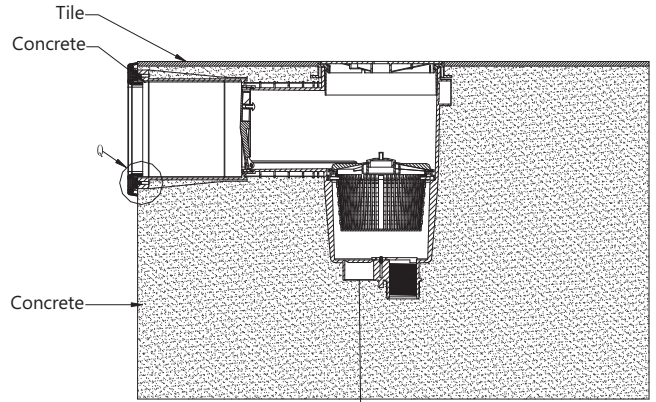


Fig.3

EM0140-SC, EM0140TS-SC INSTALLATION IN A CONCRETE POOL



1.5" Union Converter
(from Metric to Imperial)

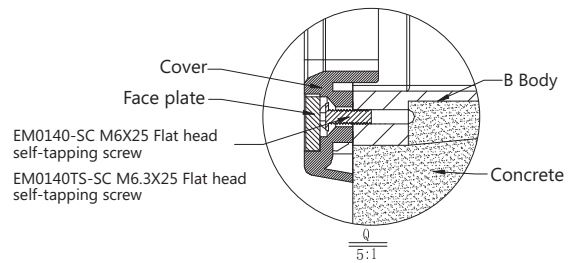
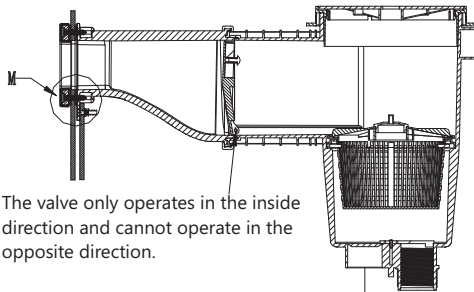


Fig.4

EM0180-SV, EM0180TS-SV INSTALLATION IN A VINYL POOL



The valve only operates in the inside direction and cannot operate in the opposite direction.

1.5" Union Converter
(from Metric to Imperial)

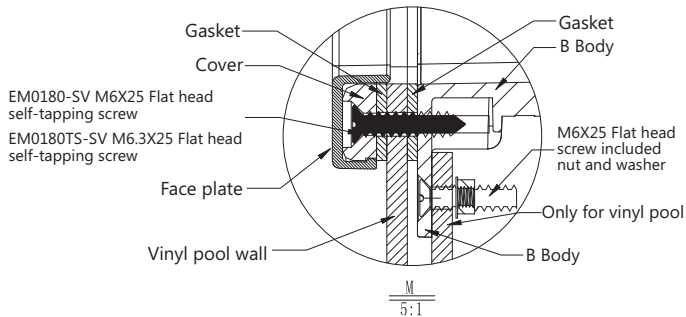
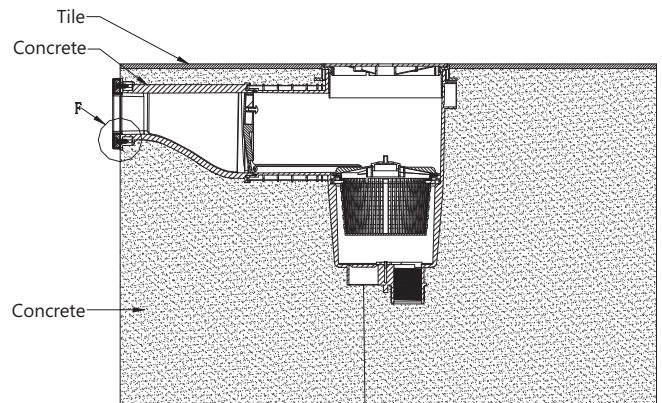


Fig.5

EM0180-SC, EM0180TS-SC INSTALLATION IN A CONCRETE POOL



1.5" Union Converter
(from Metric to Imperial)

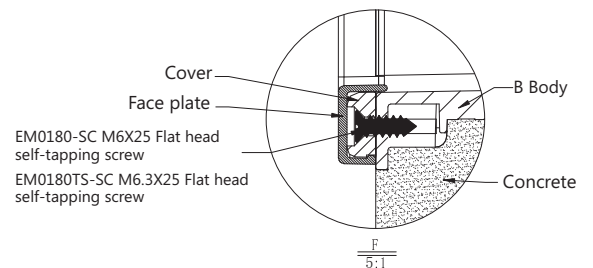


Fig.6

VACUUM SUCTION CONNECTION

Place the vacuum plate on the basket of the skimmer, and attach the vacuum hose of the pool cleaner to the hole of the vacuum plate (Fig7).

To obtain maximum vacuum efficiency, ensure that the main drain valve is closed. If more than one skimmer is installed in the pool, it should be closed off using the flow plug provided.

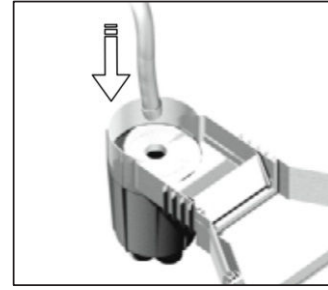


Fig.7

EXTENSION COLLAR

Extension Collar for EM0130, EM0140 and EM0180 (E160901) allows you to raise the skimmer cover to be level with pool deck or patio. Contact Emaux distributor to order the part.

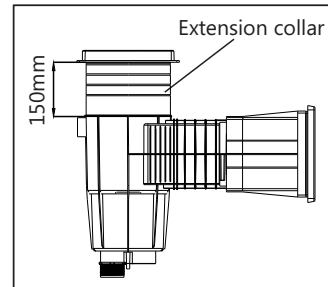


Fig.8

SAFETY WARNINGS

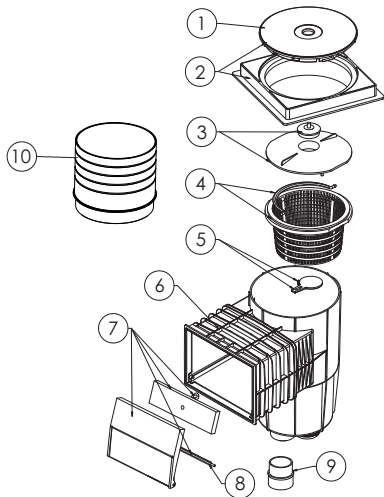
The skimmer should be installed by a pool technician.

Do not place chlorine or bromine tablets in the skimmer basket.

It is recommended to use products specifically designed to work with ABS.

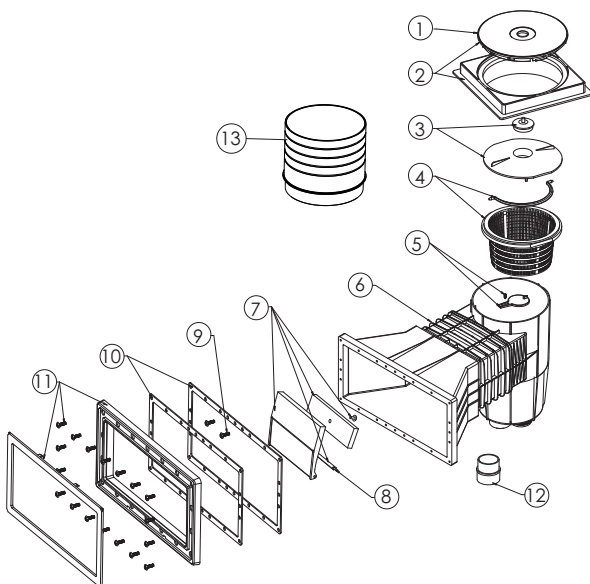
SPARE PARTS LIST

EM0130-SC



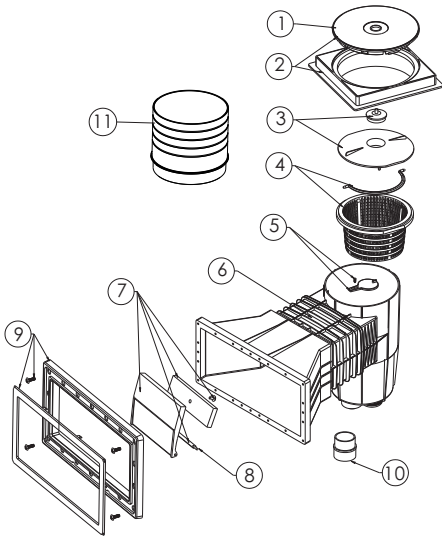
Key NO.	Part Number	Product Description	QTY
1	01050158	circular skimmer lid	1
2	89150701	square lid and lidframe	1
3	89150702	vacuum plate with plug	1
4	89150703	skimmer basket	1
5	89150704	keyhole flap	1
6	01050167	skimmer body	1
7	89150713	flap retaining clip	1
8	01181077	hinge flap	1
9	01170009	1.5" Union Convertor (from Metric to Imperial)	1
10*	E160901	Extension Collar	1

EM0130-SV, EM0130TS-SV



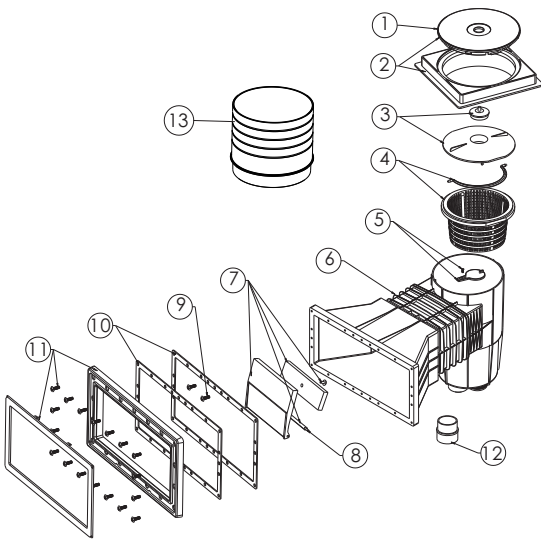
Key NO.	Part Number	Product Description	QTY
1	01050158	circular skimmer lid	1
2	89150701	square lid and lidframe	1
3	89150702	vacuum plate with plug	1
4	89150703	skimmer basket	1
5	89150704	keyhole flap	1
6	E160305	EM0130-SV Skimmer body A+B	1
6	E160306	EM0130TS-SV Skimmer body A+B	1
7	89150713	flap retaining clip	1
8	01181077	hinge flap	1
9	03012105	round head Self-tapping screws	4
10	02021105	small skimmer gaskets for liner pool	2
11	89150705	small skimmer frame EM0130-SV	1
11	E160538	small skimmer frame EM0130TS-SV	1
12	01170009	1.5" Union Convertor (from Metric to Imperial)	1
13*	E160901	Extension Collar	1

EM0140-SC, EM0140TS-SC



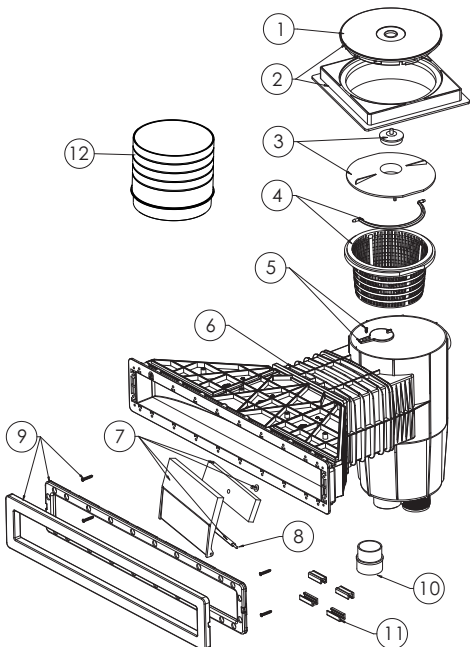
Key NO.	Part Number	Product Description	QTY
1	01050158	circular skimmer lid	1
2	89150701	square lid and lidframe	1
3	89150702	vacuum plate with plug	1
4	89150703	skimmer basket	1
5	89150704	keyhole flap	1
6	E161002	EM0140-SC Skimmer body A+B included sealling plate	1
6	E161010	EM0140TS-SC Skimmer body A+B included sealling plate	1
7	89150713	flap retaining clip	1
8	01181077	hinge flap	1
9	89150706	EM0140-SC skimmer frame for liner	1
9	E160539	EM0140TS-SC skimmer frame for liner	1
10	01170009	1.5" Union Converter (from Metric to Imperial)	1
11*	E160901	Extension Collar	1

EM0140-SV, EM0140TS-SV



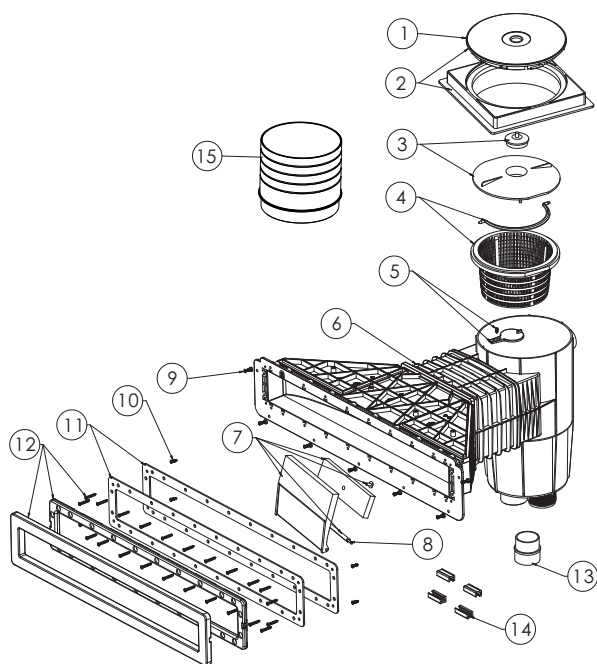
Key NO.	Part Number	Product Description	QTY
1	01050158	circular skimmer lid	1
2	89150701	square lid and lidframe	1
3	89150702	vacuum plate with plug	1
4	89150703	skimmer basket	1
5	89150704	keyhole flap	1
6	E161001	EM0140-SV Skimmer body A+B included sealling plate	1
6	E161011	EM0140TS-SV Skimmer body A+B included sealling plate	1
7	89150713	flap retaining clip	1
8	01181077	hinge flap	1
9	03012105	Round head Self-tapping screws	4
10	02021106	large skimmer gaskets for liner	2
11	89150707	EM0140-SV skimmer frame for liner	1
11	E160540	EM0140TS-SV skimmer frame for liner	1
12	01170009	1.5" Union Converter (from Metric to Imperial)	1
13*	E160901	Extension Collar	1

EM0180-SC, EM0180TS-SC



Key NO.	Part Number	Product Description	QTY
1	01050158	circular skimmer lid	1
2	89150701	square lid and lidframe	1
3	89150702	vacuum plate with plug	1
4	89150703	skimmer basket	1
5	89150704	keyhole flap	1
6A	E161012	EM0180-SC Skimmer body A+B included sealling plate	1
6A	E161013	EM0180TS-SC Skimmer body A+B included sealling plate	1
6B	01050167	A body (Users glue Skimmer body A+B)	1
6B	E161014	B body EM0180-SC included sealling plate (Users glue Skimmer body A+B)	1
6B	E161015	B body EM0180TS-SC included sealling plate (Users glue Skimmer body A+B)	1
7	89150713	flap retaining clip	1
8	01181077	hinge flap	1
9	E161016	EM0180-SC small skimmer frame	1
9	E161017	EM0180TS-SC small skimmer frame	1
10	01170009	1.5" Union Converter (from Metric to Imperial)	1
11	4101177365	fixer	4
12*	E160901	Extension Collar	1

EM0180-SV, EM0180TS-SV



Key NO.	Part Number	Product Description	QTY
1	01050158	circular skimmer lid	1
2	89150701	square lid and lidframe	1
3	89150702	vacuum plate with plug	1
4	89150703	skimmer basket	1
5	89150704	keyhole flap	1
6A	E161003	EM0180-SV Skimmer body A+B included sealling plate	1
6A	E161004	EM0180TS-SV Skimmer body A+B included sealling plate	1
6B	01050167	A body (Users glue Skimmer body A+B)	1
6B	E161005	B body EM0180-SV included sealling plate (Users glue Skimmer body A+B)	1
6B	E161006	B body EM0180TS-SV included sealling plate (Users glue Skimmer body A+B)	1
7	89150713	flap retaining clip	1
8	01181077	hinge flap	1
9	E161007	Flat head screw included nut and washer	7
10	03012105	round head Self-tapping screws	4
11	111040082	small skimmer gaskets for liner pool	2
12	E161008	EM0180-SV small skimmer frame	1
12	E161009	EM0180TS-SV small skimmer frame	1
13	01170009	1.5" Union Convertor (from Metric to Imperial)	1
14	4101177365	fixer	4
15*	E160901	Extension Collar	1

Remark: * Extension collar does not include in standard packaging.

TERMS OF THE WARRANTY

As the original purchaser of this equipment has purchased from Emaux Water Technology Co., Ltd, through Authorized International Distributor or Dealer, warrants its products free from defects in materials and workmanship under normal use during the warranty period. The warranty period begins on the day of purchase and extends only to the original purchaser. It is not transferable to anyone who subsequently purchases the product from you. It excludes all expendable parts. During the warranty period, Emaux authorized reseller will repair or replace defective parts with new parts or, at the option of Emaux, serviceable used parts that are equivalent or superior to new parts in performance.

This Limited Warranty extends only to products purchased from Emaux authorized resellers. This Limited Warranty does not extend to any product that has been damaged or rendered defective.

- (a) as a result of an accident, misuse, or abuse;
- (b) as a result of an act of God;
- (c) by operation outside the usage parameters stated herein;
- (d) by the use of parts not manufactured or sold by Emaux;
- (e) by modification of the product;
- (f) as a result of war or terrorist attack; or
- (g) as a result of service by anyone other than Emaux's authorized reseller or authorized agent.

EXCEPT AS EXPRESSLY OUTLINED IN THIS WARRANTY, EMAUX MAKES NO OTHER WARRANTIES EXPRESSED OR IMPLIED, INCLUDING ANY IMPLIED WARRANTIES OF MERCHANTABILITY AND FITNESS FOR A PARTICULAR PURPOSE. EMAUX EXPRESSLY DISCLAIMS ALL WARRANTIES NOT STATED IN THIS LIMITED WARRANTY. ANY IMPLIED WARRANTIES THAT MAY BE IMPOSED BY LAW ARE LIMITED TO THE TERMS OF THIS EXPRESS LIMITED WARRANTY.

EMAUX WATER TECHNOLOGY CO., LTD

ADDRESS FLAT A-D, 20/F., KAI BO 22, 22 WING KIN ROAD,
KWAI CHUNG, HONG KONG

PHONE +852 2832 9880

 **YOUR PREMIER SUPPLIER**

www.emauxgroup.com