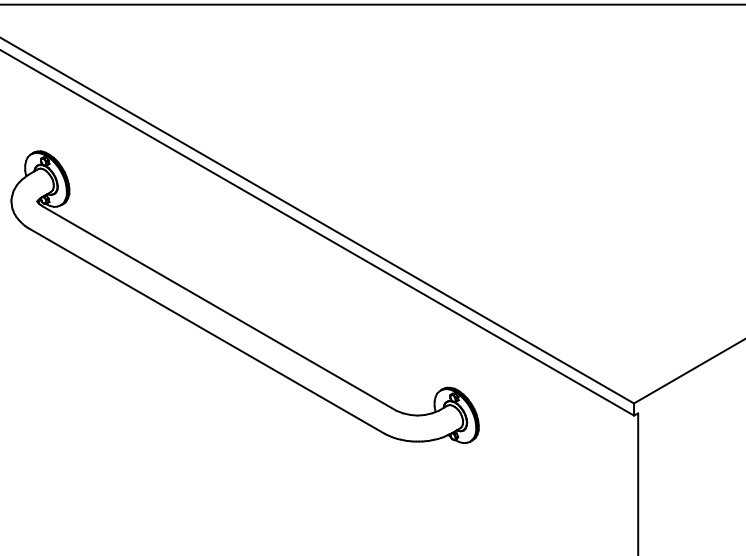
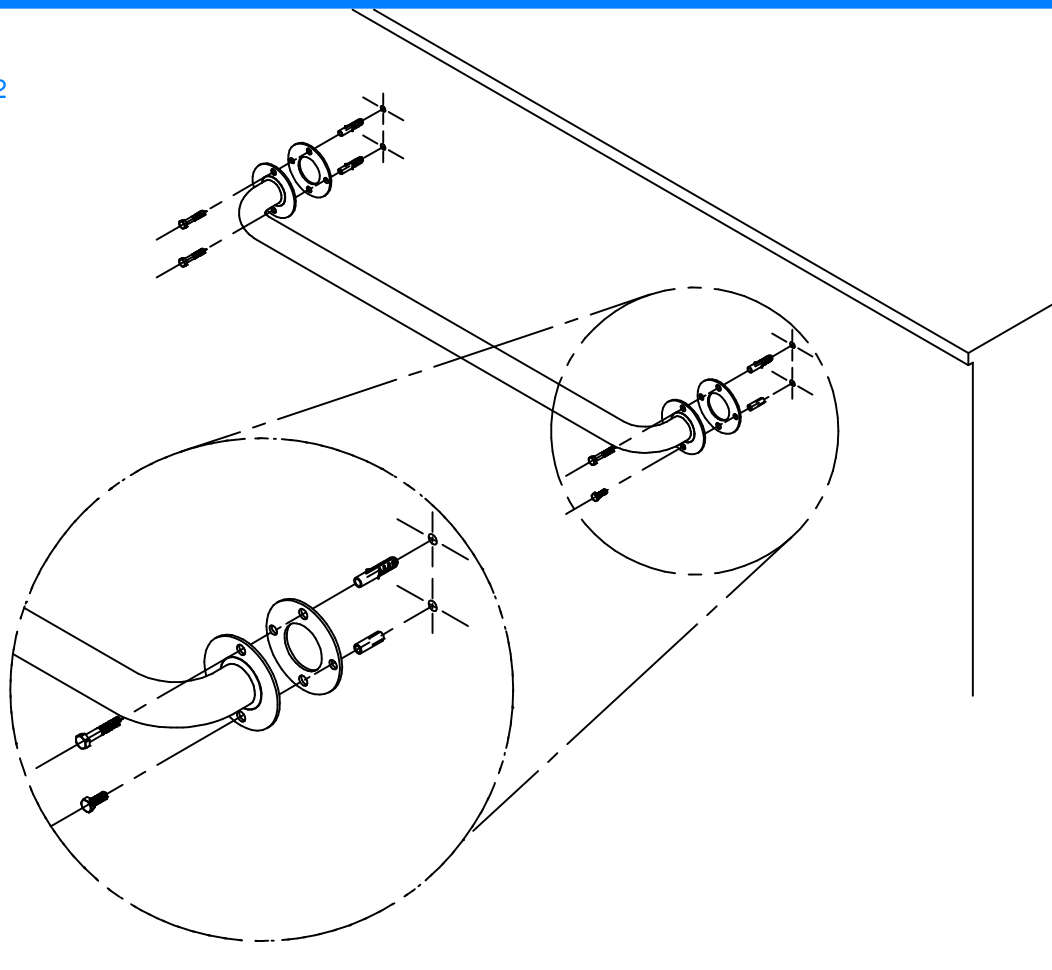


2



09940682



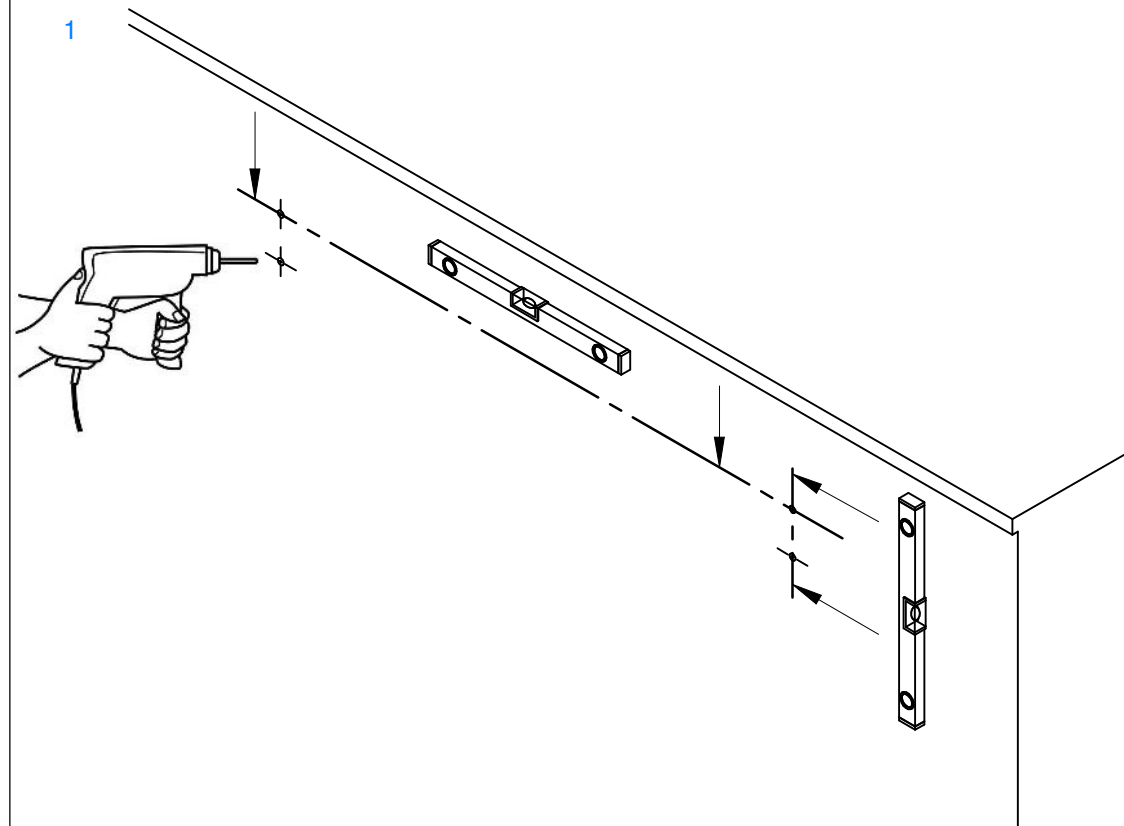
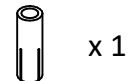
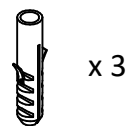
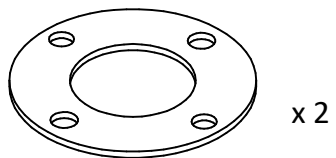
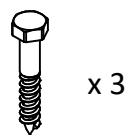
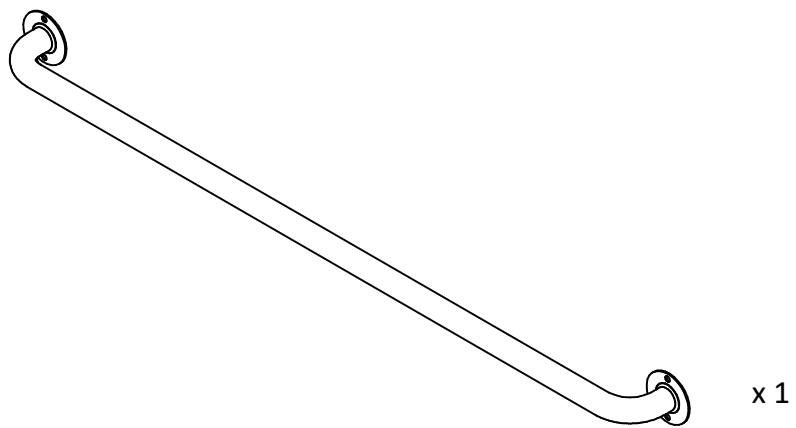
INSTRUCCIONES DE MONTAJE
PASAMANOS Ø43

ASSEMBLY INSTRUCTIONS
HANDRAILS Ø43

INSTRUCTIONS DE MONTAGE
PASSE-MAIN Ø43

MONTAGEANLEITUNGEN
GELÄNDER Ø43





Cod. 87180055 = 457 mm
87180105 = 957 mm
87180154 = 1457 mm
87180204 = 1957 mm
87180303 = 2957 mm

